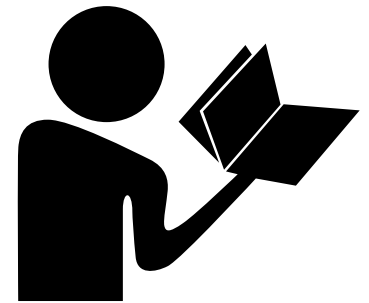
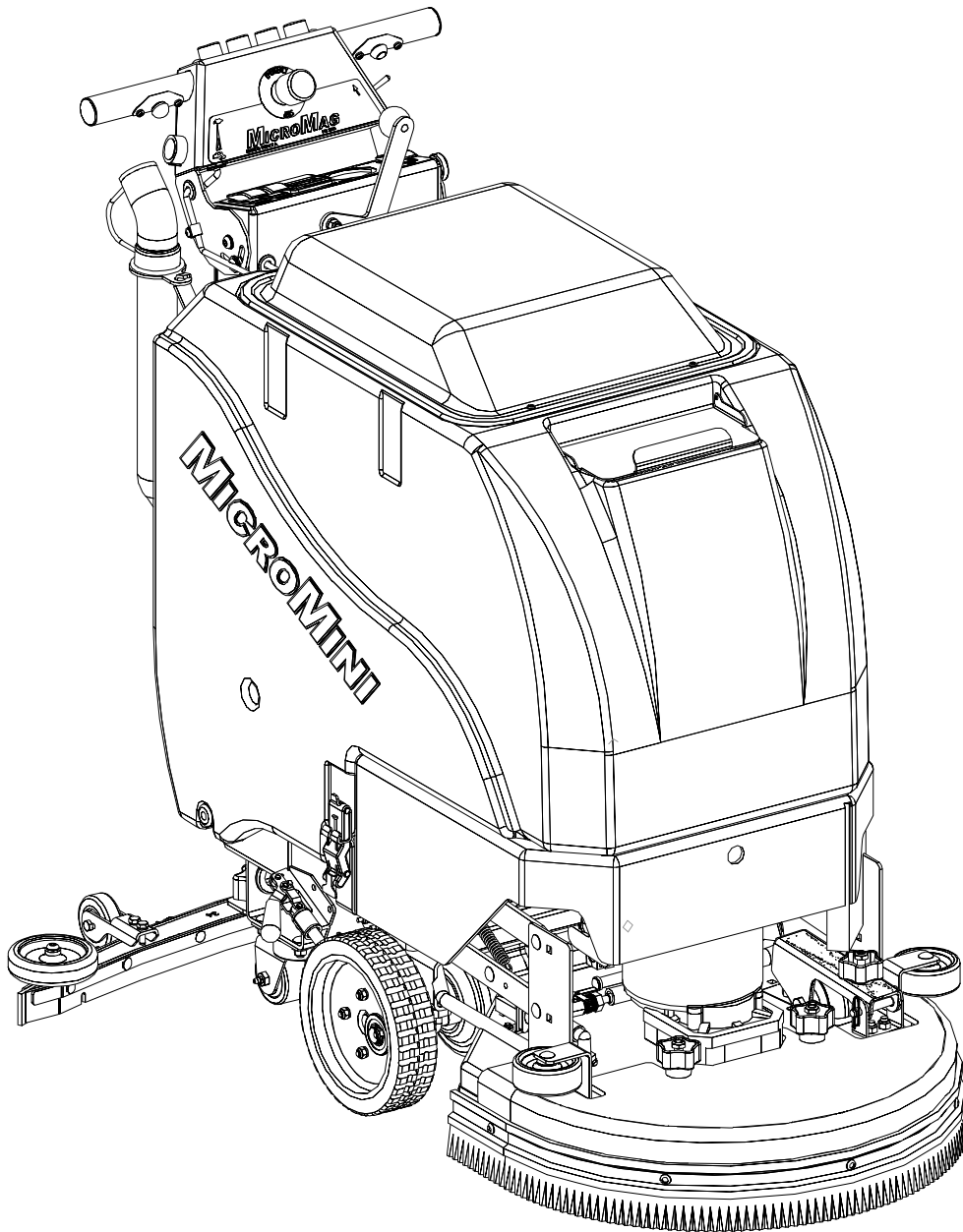




MICROMINI

Parts Manual (EN)



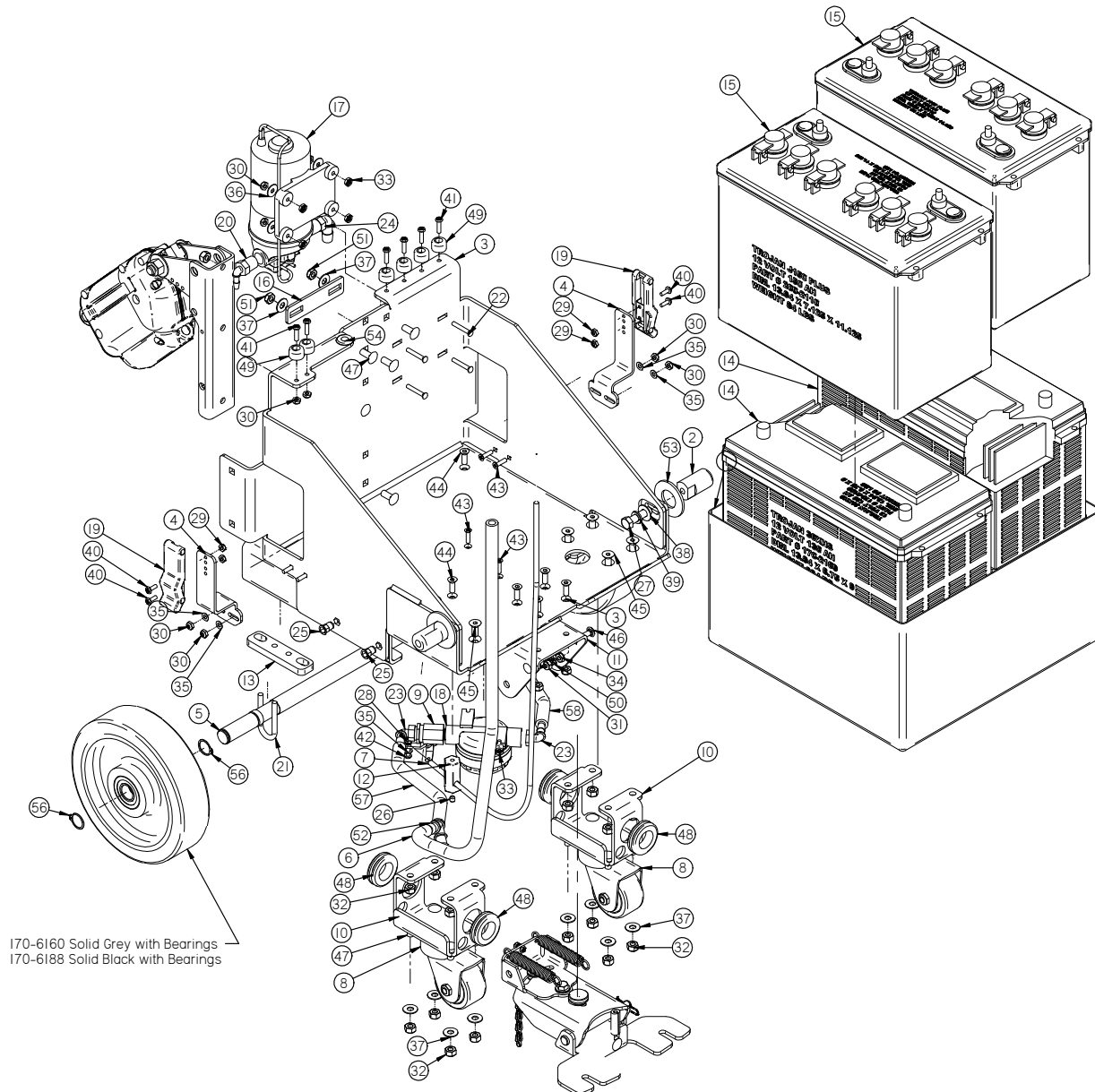
Read the Operators Manual
before using the machine.



Read the Safety Messages
before servicing machine.

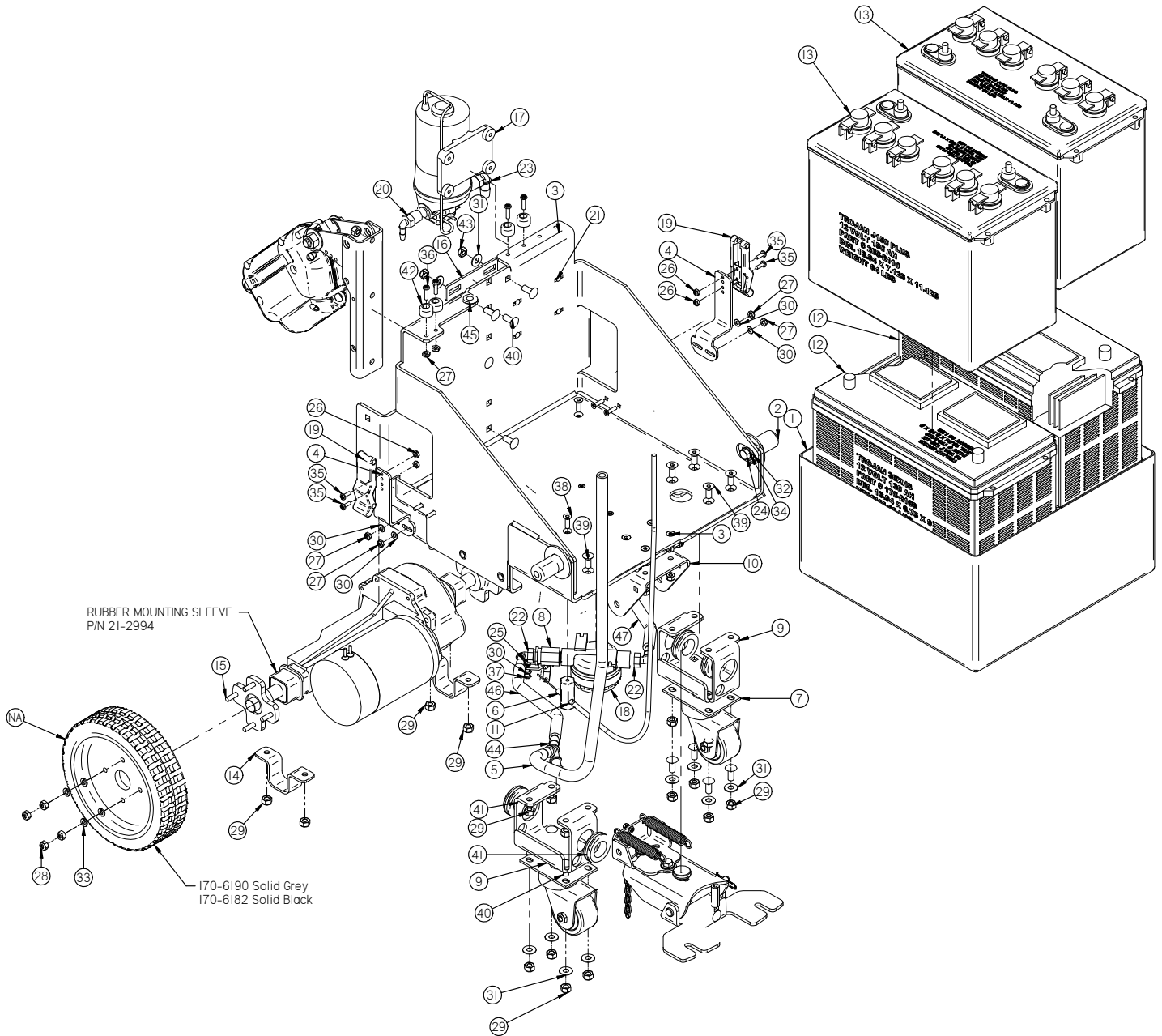
Machine Frame - Brush Assist.....	4
Machine Frame - Traction Drive	5
20 Inch Disk Deck - Brush Assist.....	6
20 Inch Disk Deck - Traction.....	8
20 Inch EDGE Deck	10
24 Inch EDGE Deck	12
Tank Assembly - Serial Number 94937 and greater.....	14
Tank Assembly - Serial Number 94937 and greater.....	15
Tank Assembly - Serial Number 94936 and lower.....	16
Clear Dome Lid Assembly	17
Central Command - Brush Assist	18
Central Command - Traction	19
Handlebar and Squeegee Lift Arm Assembly.....	20
Squeegee Drag Link Assembly	21
Squeegee Tool Assembly	22
Actuator Lift Assembly.....	23
Batteries and Chargers.....	24
Common Wear Parts	25
Common Wear Parts	26
Common Wear Parts	27

Machine Frame - Brush Assist

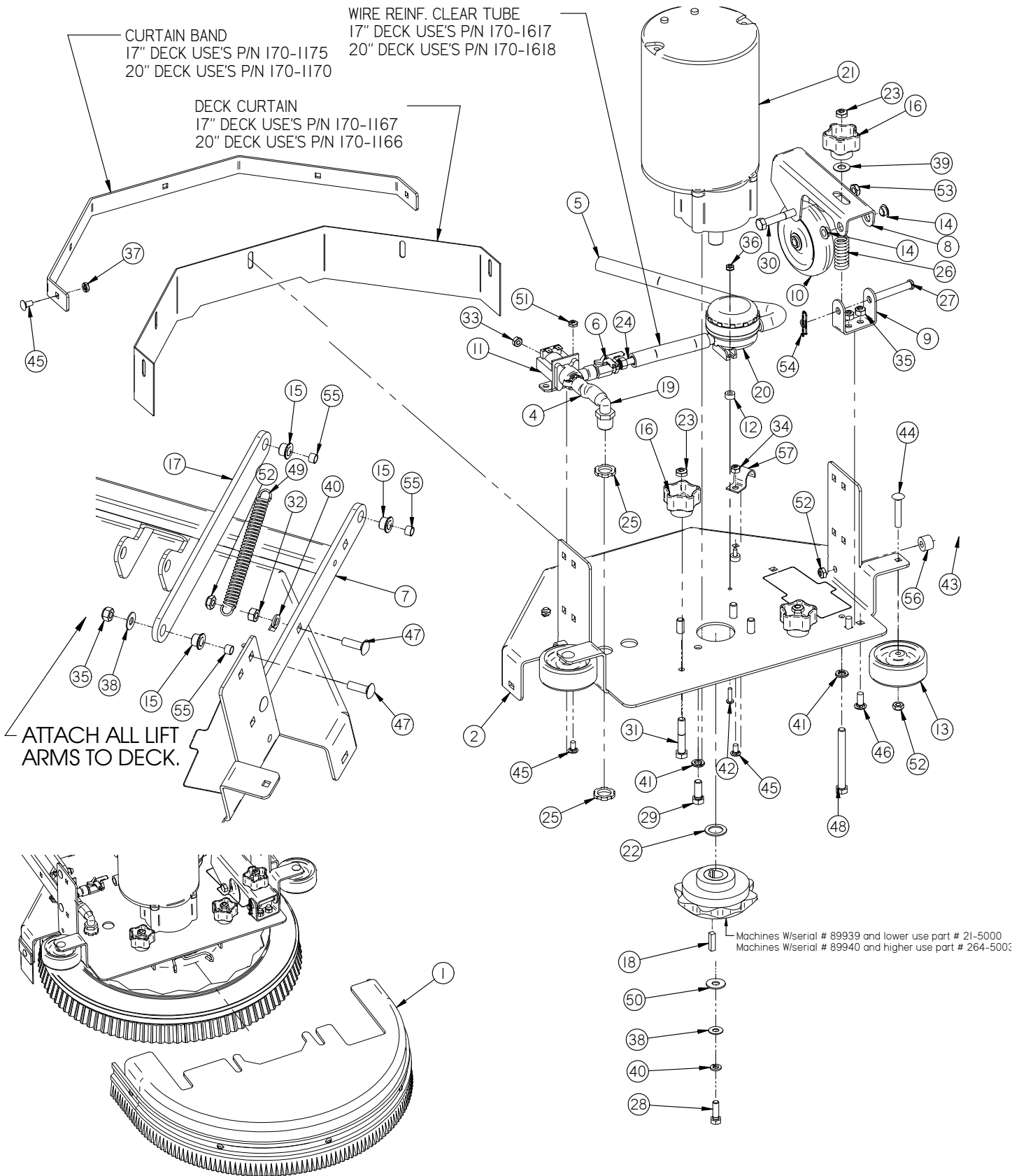


170-6160 Solid Grey with Bearings
170-6188 Solid Black with Bearings

Item	Part No.	Part Description	Qty.	Item	Part No.	Part Description	Qty.
1	150-0002	MINI MICRO BATTERY TRAY	1	31	H-70860	NYLOK 1/4"- 20 SS	7
2	150-1061	BOSS	2	32	H-70861	NYLOK 5/16" - 18 SS	23
3	150-1105	MINI-MICRO FRAME	1	33	H-70923	KN #10-32 SS	6
4	150-1123	TANK LATCH	2	34	H-70925	KN 1/4-20 S/S	2
5	150-1171	AXLE	1	35	H-71009	FW #10 SS	5
6	150-1370	SIGHT TUBE	1	36	H-71010	FW #10 ID X 11/16 OD SS	3
7	150-2017	cabl sleeve,par	1	37	H-71015	FW 5/16 ID X 3/4 OD SS	10
8	150-3030	CASTER	2	38	H-71017	FW 3/8 ID X 7/8 OD SS	2
9	150-4158	BALL VALVE, 3/8"	1	39	H-71067	LW 3/8" SS	2
10	150-5010	CASTER MOUNT	2	40	H-72398	PPH #8-32 X 1/2" S/S	4
11	150-7611	SQUEEGEE DRAG BRACKET	1	41	H-72416	PPHMS #10-32 X 3/4" S/S	6
12	150-9131	CABLE GUIDE	1	42	H-72516	PPH #6-32 X 1/2" SS	1
13	170-1270	TRACTION SPACER	2	43	H-72684	FHP 10-32 X 3/4" SS	6
14	170-2109	BATTERY, 12 V, 130 AH TROJAN	2	44	H-73882	FHSCS 1/4- 20 X 3/4" S/S	6
15	200-2110	J150 PLUS 12V 150AH BATTERY	2	45	H-73907	FHSCS 5/16"- 18 X 3/4" SS	8
16	253-1040	TANK STRAP SUPPORT	1	46	H-74420	CB 1/4"- 20 X 1.0" SS	2
17	253-8910	PUMP, WATER JET	1	47	H-74429	CB 5/16"- 18 X 3/4" SS	13
18	370-9130	INLINE FILTER	1	48	H-9307K74	GROMMET, 1" ID X 1-3/4" OD BUNA-N	5
19	4-124	LATCH	2	49	H-9540	RUBBER BUMPER, 25/32"	6
20	400-1225	.375 NPT X .25 BARB X 90 DEG	1	50	H-96542	SPRING, 2-1/8" LG X 3/8" OD X 1/16 WIRE	2
21	H-0156419	1/4-20 X 3/4" ID X 2.25" LG ID U-BOLT	1	51	H-NJ05C	JNYL 5/16"- 18 SS	2
22	H-0172522	CB #10-32 X 1-1/4" SS	4	52	M-5463K116	WYE, 3/8"; NYLON	1
23	H-04762	ELBOW, 90 DEG X 3/8" MNPT X 3/8" BARB, NYLON	2	53	M-90133A440	3/8 ID X 5/8 OD RUBBER WASHER	2
24	H-04763	ELBOW, 90 DEG X 3/8" MNPT X 1/2" BARB, NYLON	1	54	M-9307K23	GROMMET, 3/8 ID X 7/8 OD X 1/8 TH.	1
25	H-250HCN	HCN 1/4"-20	4	55	M-9434T27	3/4" DIA I HOLE TUBE STRAP	1
26	H-25379	SETScrew, KCP, 1/4"-20 X 1/4"	1	56	M-98585A115	SNAPRING 3/4" HEAVY DUTY	4
27	H-70109	HCS 3/8"- 16 X 1-1/2" SS	2	57	T-375R0700	SOLUTION HOSE	1
28	H-70855	NYLOK #6-32 SS	1	58	T-375R1700	SOLUTION HOSE	1
29	H-70856	NYLOK #8-32 SS	4				
30	H-70858	NYLOK #10-32 SS	13				



Item	Part No.	Part Description	Qty.	Item	Part No.	Part Description	Qty.
1	150-0002	MINI MICRO BATTERY TRAY	1	25	H-70855	NYLOK #6-32 SS	1
2	150-1061	BOSS	2	26	H-70856	NYLOK #8-32 SS	4
3	150-1105	MINI-MICRO FRAME	1	27	H-70858	NYLOK #10-32 SS	5
4	150-1123	TANK LATCH	2	28	H-70860	NYLOK 1/4" - 20 SS	1
5	150-1370	SIGHT TUBE	1	29	H-70861	NYLOK 5/16" - 18 SS	17
6	150-2017	cabl. sleeve,par	1	30	H-71009	FW #10 SS	5
7	150-3030	CASTER	1	31	H-71015	FW 5/16 ID X 3/4 OD SS	3
8	150-4158	BALL VALVE, 3/8"	1	32	H-71017	FW 3/8 ID X 7/8 OD SS	2
9	150-5010	CASTER MOUNT	2	33	H-71063	LW 1/4" SS	1
10	150-7611	SQUEEGEE DRAG BRACKET	1	34	H-71067	LW 3/8" SS	2
11	150-9131	CABLE GUIDE	1	35	H-72398	PPH #8-32 X 1/2" S/S	4
12	170-2109	BATTERY, 12 V, 130 AH TROJAN	2	36	H-72416	PPHMS #10-32 X 3/4" S/S	1
13	200-2110	J150 PLUS 12V 150AH BATTERY	2	37	H-72516	PPH #6-32 X 1/2" SS	1
14	21-1010	AXLE MOUNT	2	38	H-73882	FHSCS 1/4" - 20 X 3/4" S/S	1
15	21-3009	TRANSAXLE	1	39	H-73907	FHSCS 5/16" - 18 X 3/4" SS	8
16	253-1040	TANK STRAP SUPPORT	1	40	H-74429	CB 5/16" - 18 X 3/4" SS	17
17	253-8910	PUMP, WATER JET	1	41	H-9307K74	GROMMET, 1" ID X 1-3/4" OD BUNA-N	5
18	370-9130	INLINE FILTER	1	42	H-9540	RUBBER BUMPER, 25/32"	6
19	4-124	LATCH	2	43	H-NJ05C	JNYL 5/16" - 18 SS	1
20	400-1225	375 NPT X .25 BARB X 90 DEG	1	44	M-5463K116	WYE, 3/8", NYLON	1
21	H-0172522	CB #10-32 X 1-1/4" SS	4	45	M-9307K23	GROMMET, 3/8 ID X 7/8 OD X 1/8 TH.	1
22	H-04762	ELBOW, 90 DEG X 3/8" MNPT X 3/8" BARB, NYLON	2	46	T-375R0700	SOLUTION HOSE	1
23	H-04763	ELBOW, 90 DEG X 3/8" MNPT X 1/2" BARB, NYLON	1	47	T-375R1700	SOLUTION HOSE	1
24	H-70109	HCS 3/8" - 16 X 1-1/2" SS	2				

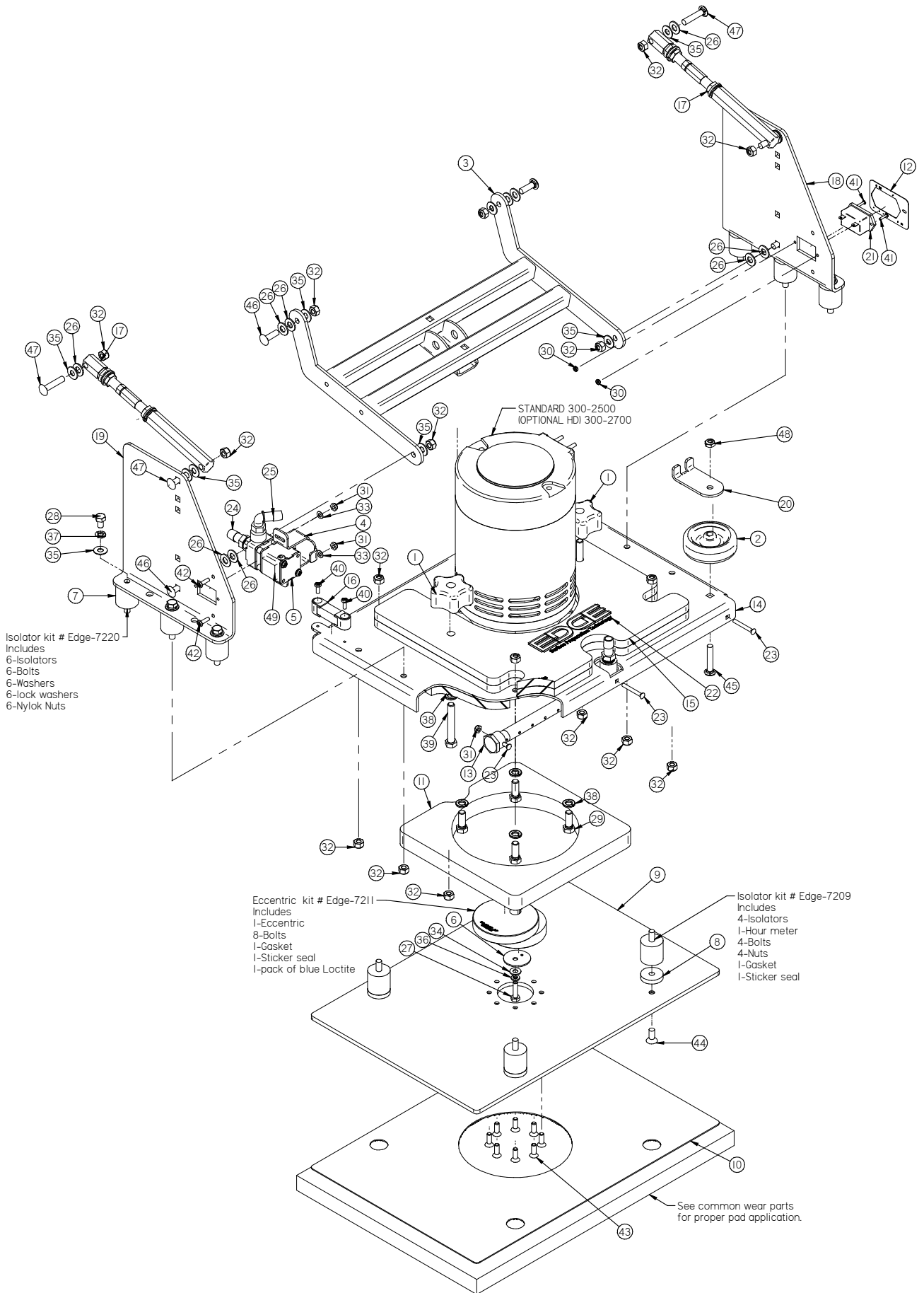


20 Inch Disk Deck - Brush Assist

Item	Part No.	Part Description	Qty.
1	121	SUB #121 20 INCH SHROUD ASSEMBLY	1
2	170-1120	DISK DECK PLATFORM, 20"	1
3*	170-1600	1/2" ID X 4-1/2" LG WIRE REINF. CLEAR TUBE	1
4	170-1601	1/2" ID X 2-3/4" LG WIRE REINF. CLEAR TUBE	1
5	170-1602	1/2" ID X 14" LG WIRE REINF. CLEAR TUBE	1
6	170-4158	BALL VALVE, 1/4"	1
7	170-9586	LATERAL ARM	1
8	190-1030	DECK WHEEL PIVOT BRACKET	1
9	190-1035	DECK WHEEL PIVOT SUPPORT	1
10	190-3020	4.0" WHEEL (RED)	1
11	190-4500	ADJUSTABLE SOLUTION FLOW VALVE, WITH 1/4" NPTF	1
12	21-2211	SPACER 1/2 OD X 1/4"	2
13	21-7600	SIDE WHEEL (GREY)	2
14	290-1233	3/8" ID, 1/2" OD, 1/4" LG BEARING	2
15	290-1245	3/8" ID, 1/2" OD, 3/8" LG, FLANGE BEARING	8
16	290-5787	STAR KNOB, 3/8-24 THREAD	3
17	5-124	LATERAL ARM	2
18	5-431	1/4" X 1" KEY	1
19	5-447	1/2 NPT X 1/2" BARB ELBOW	1
20	5-913	INLINE FILTER	1
21	7-222	MOTOR, 24-V, 3/4 HP, 200 RPM	1
22	H-00222	FW 3/4" ID X 1 1/8" OD X 3/32" SS	1
23	H-0171004	JNYL 3/8- 24 SS	3
24	H-05122	.25 NPT X .50 BARB	1
25	H-07005	1/2" NPT LOCKNUT	2
26	H-111	SPRING, 1/2" ID X 2-1/2" LG	1
27	H-15675	CLEVIS PIN, 3/8" X 2-1/2"	1
28	H-70055	HCS 5/16"- 18 X 1" SS	1
29	H-70105	HCS 3/8"- 16 X 1" SS	4
30	H-70112	HCS 3/8"- 16 X 2-1/4" SS	1
31	H-70146	HCS 3/8"- 24 X 2" SS	2
32	H-70711	HN 5/16"- 18 SS	2
33	H-70730	HN 1/4"- 28 SS	1
34	H-70860	NYLOK 1/4"- 20 SS	1
35	H-70861	NYLOK 5/16" - 18 SS	6
36	H-70923	KN #10-32 SS	2
37	H-70925	KN 1/4-20 S/S	5
38	H-71015	FW 5/16 ID X 3/4 OD SS	5
39	H-71017	FW 3/8 ID X 7/8 OD SS	1
40	H-71065	LW 5/16" SS	3
41	H-71067	LW 3/8" SS	7
42	H-72534	PPH #10-32 X 3/4" S/S	2
43	H-73780	BHSCS 5/16-18 X 1	2
44	H-74401	CB 5/16"- 18 X 1-3/4" SS	2
45	H-74417	CB 1/4"- 20 X .5" SS	8
46	H-74429	CB 5/16"- 18 X 3/4" SS	2
47	H-74430	CB 5/16"- 18 X 1" SS	6
48	H-92865A227	HCS 3/8"- 24 X 3.5" SS	1
49	H-96546	SPRING, 5" LG X 1/2" OD X .073 WIRE	2
50	H-99001	FW 3/8" SS NOM ID .4375 X OD 1.0	1
51	H-NJ04C	JNYL 1/4" - 20 SS	2
52	H-NJ05C	JNYL 5/16"- 18 SS	6
53	H-NJ06C	JNYL 3/8- 16 SS	1
54	H-RUE14	3/8" RUE RING COTTER	1
55	M-6391K403	.312 ID X .375 OD X .25 LG BEARING SLEEVE	8
56	M-92825A201	.325" ID X 3/4" OD X 1/2" LDPE SPACER	2
57	M-9434T27	3/4" DIA I HOLE TUBE STRAP	1

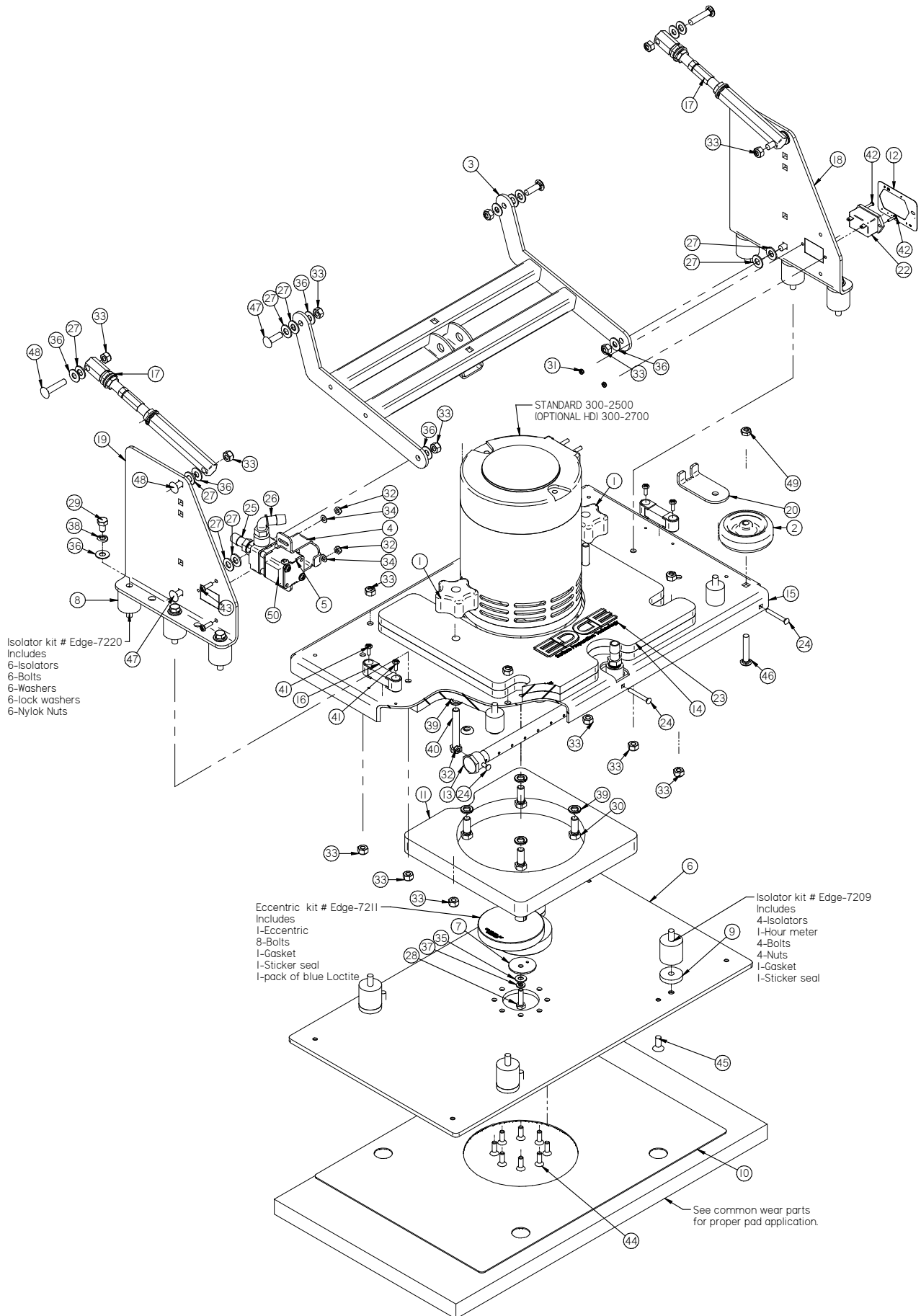
20 Inch Disk Deck - Traction

Item	Part Number	Part Description	Qty
1	121	SUB #121 20 INCH SHROUD ASSEMBLY	1
2	170-1030	DISK DECK COVER PLATE	1
3	170-1120	DISK DECK PLATFORM, 20"	1
4	170-1601	1/2" ID X 2-3/4" LG WIRE REINF. CLEAR TUBE	1
5	170-1602	1/2" ID X 14" LG WIRE REINF. CLEAR TUBE	1
6	170-9586	LATERAL ARM	1
7	21-2211	SPACER 1/2 OD X 1/4"	2
8	21-2500	MOTOR 3/4 HP X 270 RPM	1
9	21-4500	ADJUSTABLE SOLUTION FLOW VALVE	1
10	21-7205	PALM GRIP KNOB, 3/8-24	2
11	21-7600	SIDE WHEEL (GREY)	2
12	290-1245	3/8" ID, 1/2" OD, 3/8" LG, FLANGE BEARING	8
13	5-124	LATERAL ARM	2
14	5-431	1/4" X 1" KEY	1
15	5-447	1/2 NPT X 1/2" BARB ELBOW	1
16	5-913	INLINE FILTER	1
17	H-00222	FW 3/4" ID X 1 1/8" OD X 3/32" SS	1
18	H-0171004	JNYL 3/8- 24 SS	2
19	H-0172526	CB 5/16"- 18 X 5/8" SS	2
20	H-07005	1/2" NPT LOCKNUT	2
21	H-70055	HCS 5/16"- 18 X 1" SS	1
22	H-70105	HCS 3/8"- 16 X 1" SS	4
23	H-70146	HCS 3/8"- 24 X 2" SS	2
24	H-70711	HN 5/16"- 18 SS	2
25	H-70730	HN 1/4"- 28 SS	1
26	H-70860	NYLOK 1/4"- 20 SS	1
27	H-70861	NYLOK 5/16" - 18 SS	6
28	H-70923	KN #10-32 SS	2
29	H-70925	KN 1/4-20 S/S	5
30	H-71015	FW 5/16 ID X 3/4 OD SS	5
31	H-71065	LW 5/16" SS	3
32	H-71067	LW 3/8" SS	7
33	H-72534	PPH #10-32 X 3/4" S/S	2
34	H-73780	BHSCS 5/16-18 X 1	2
35	H-74401	CB 5/16"- 18 X 1-3/4" SS	2
36	H-74417	CB 1/4"- 20 X .5" SS	3
37	H-74419	CB 1/4"- 20 X .75" SS	5
38	H-74430	CB 5/16"- 18 X 1" SS	6
39	H-96546	SPRING, 5" LG X 1/2" OD X .073 WIRE	2
40	H-99001	FW 3/8" SS NOM ID .4375 X OD 1.0	1
41	H-NJ04C	JNYL 1/4" - 20 SS	2
42	H-NJ05C	JNYL 5/16"- 18 SS	6
43	M-639IK403	.312 ID X .375 OD X .25 LG BEARING SLEEVE	8
44	M-92825A201	.325" ID X 3/4" OD X 1/2" LDPE SPACER	2
45	M-9434T27	3/4" DIA 1 HOLE TUBE STRAP	1



20 Inch EDGE Deck

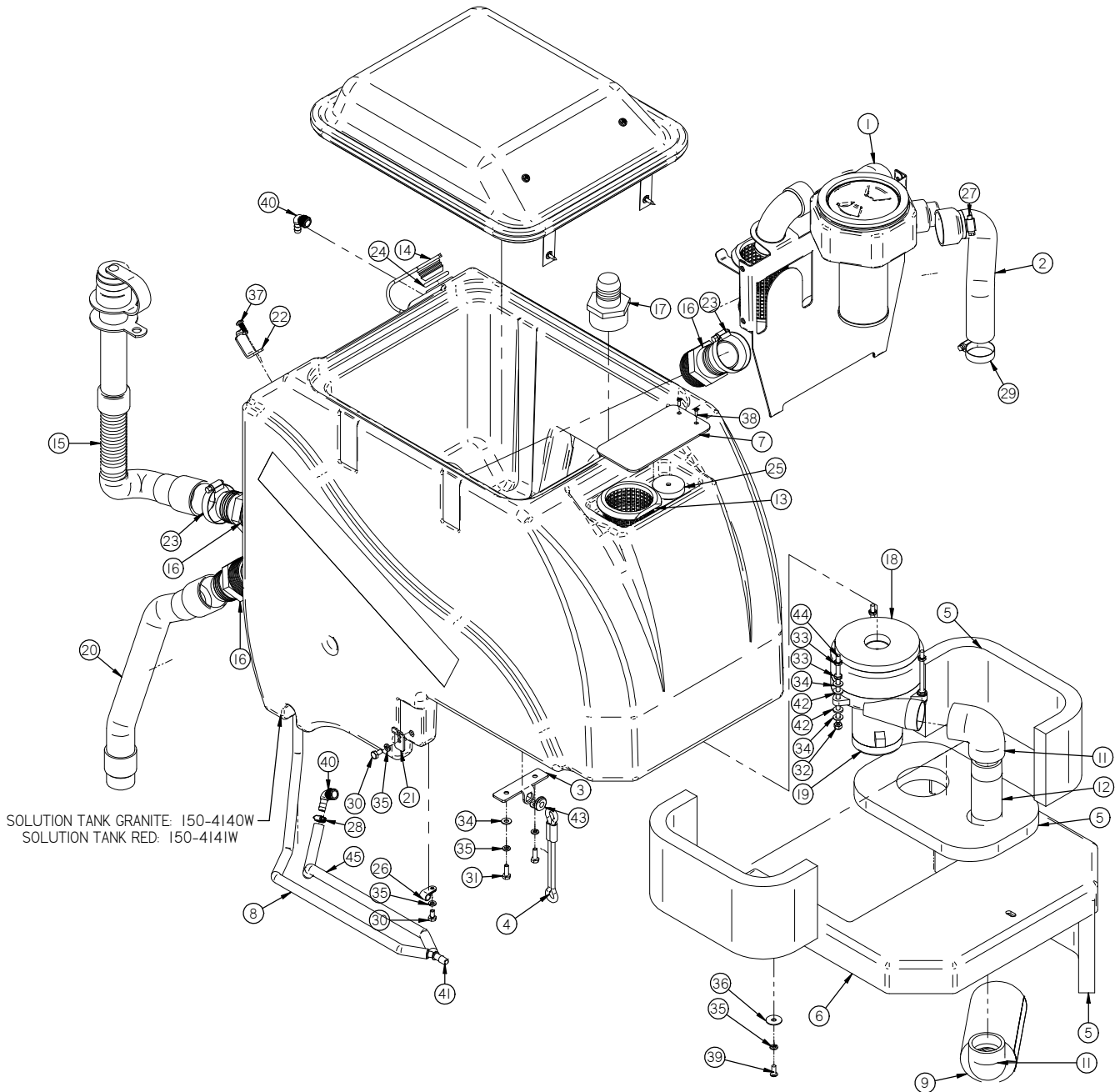
Item	Part No.	Part Description	Qty.
1	150-5786	STAR KNOB, 3/8-16 THREAD	2
2	150-7601	3" SIDE WHEEL (GREY)	2
3	150-9588	LATERAL ARM	1
4	250-5280	VALVE BRACKET	1
5	253-4500	FLOW VALVE (24V)	1
6	300-01030Z	CRUSH WASHER	1
7	300-01032Z	RUBBER ISOLATOR	14
8	300-01033Z	20 & 28" SPACER	4
9	300-01034Z	20 INCH ALUMINUM PAD DRIVER	1
10	300-01037Z	GRIP FACE	1
11	300-1073	1" BEARING GASKET	1
12	300-2013	ISOLATOR STICKER	1
13	300-3020	20 INCH EDGE SOL. FEED TUBE	1
14	300-4020	20 INCH SQUARE HEAD DECK	1
15	300-4021	MINIMAG/MAGNUM 14 LBS WEIGHT	2
16	300-4030	LEVEL	2
17	300-8421	ADJUSTABLE LATERAL ARM	2
18	300-9070	(LH) DECK LIFTING BRACKET	1
19	300-9071	(RH) DECK LIFTING BRACKET	1
20	300-9072	WHEEL BRACKET	2
21	8-262	HOUR METER	1
22	EDGE-7205	5 INCH EDGE STICKER	1
23	H-0172523	CB #10-32 X 1-1/2" SS	3
24*	H-04763	.375 NPT X .50 BARB	1
25	H-04764	ELBOW, 90 DEG X 3/8" MNPT X 1/2" BARB, NYLON	1
26	H-4440024	FW 3/8" X 3/4" NYLON	12
27	H-70005	HCS 1/4"- 20 X 1" SS	1
28	H-70051	HCS 5/16"- 18 X 1/2"	6
29	H-70105	HCS 3/8"- 16 X 1" SS	4
30	H-70854	NYLOK #4-40 SS	2
31	H-70858	NYLOK #10-32 SS	5
32	H-70861	NYLOK 5/16" - 18 SS	18
33	H-71009	FW #10 SS	2
34	H-71013	FW 1/4 ID X 5/8 OD SS	1
35	H-71015	FW 5/16 ID X 3/4 OD SS	14
36	H-71063	LW 1/4" SS	1
37	H-71065	LW 5/16" SS	6
38	H-71067	LW 3/8" SS	6
39	H-71190	HCS 3/8"- 16 X 2-1/2" SS (FULLY THREADED)	2
40	H-72398	PPH #8-32 X 1/2" S/S	4
41	H-72486	PPH #4-40 X 1/2" S/S	2
42	H-72517	PPH #10-32 X 5/8" SS	2
43	H-72708	FHP 1/4"- 20 X 3/4"	8
44	H-73907	FHSCS 5/16"- 18 X 3/4" SS	4
45	H-74401	CB 5/16"- 18 X 1-3/4" SS	2
46	H-74430	CB 5/16"- 18 X 1" SS	4
47	H-74432	CB 5/16"- 18 X 1-1/2" SS	4
48	H-NJ05C	JNYL 5/16"- 18 SS	2
49	T-438350025	VALVE PAD	1



24 Inch EDGE Deck

Item	Part No.	Part Description	Qty.
1	150-5786	STAR KNOB, 3/8-16 THREAD	2
2	150-7601	3" SIDE WHEEL (GREY)	2
3	150-9588	LATERAL ARM	1
4	250-5280	VALVE BRACKET	1
5	253-4500	FLOW VALVE (24V)	1
6	300-01024Z	24 INCH ALUMINUM PAD DRIVER	1
7	300-01030Z	CRUSH WASHER	1
8	300-01032Z	RUBBER ISOLATOR	14
9	300-01033Z	20 & 28" SPACER	4
10	300-01037Z	GRIP FACE	1
11	300-1073	1" BEARING GASKET	1
12	300-2013	ISOLATOR STICKER	1
13	300-3024	24 INCH EDGE SOL. FEED TUBE	1
14	300-4021	MINIMAG/MAGNUM 14 LBS WEIGHT	2
15	300-4027	24 INCH SQUARE HEAD DECK	1
16	300-4030	LEVEL	2
17	300-8421	ADJUSTABLE LATERAL ARM	2
18	300-9070	(LH) DECK LIFTING BRACKET	1
19	300-9071	(RH) DECK LIFTING BRACKET	1
20	300-9072	WHEEL BRACKET	2
21*	5-846	STANDOFF, 1.03"	2
22	8-262	HOUR METER	1
23	EDGE-7205	5 INCH EDGE STICKER	1
24	H-0172523	CB #10-32 X 1-1/2" SS	3
25*	H-04763	.375 NPT X .50 BARB	1
26*	H-04764	ELBOW, 90 DEG X 3/8" MNPT X 1/2" BARB, NYLON	1
27	H-4440024	FW 3/8" X 3/4" NYLON	12
28	H-70005	HCS 1/4"- 20 X 1" SS	1
29	H-70051	HCS 5/16"- 18 X 1/2"	6
30	H-70105	HCS 3/8"- 16 X 1" SS	4
31	H-70854	NYLOK #4-40 SS	2
32	H-70858	NYLOK #10-32 SS	5
33	H-70861	NYLOK 5/16" - 18 SS	18
34	H-71009	FW #10 SS	2
35	H-71013	FW 1/4 ID X 5/8 OD SS	1
36	H-71015	FW 5/16 ID X 3/4 OD SS	14
37	H-71063	LW 1/4" SS	1
38	H-71065	LW 5/16" SS	6
39	H-71067	LW 3/8" SS	6
40	H-71190	HCS 3/8"- 16 X 2-1/2" SS (FULLY THREADED)	2
41	H-72398	PPH #8-32 X 1/2" S/S	4
42	H-72486	PPH #4-40 X 1/2" S/S	2
43	H-72517	PPH #10-32 X 5/8" SS	2
44	H-72708	FHP 1/4"- 20 X 3/4"	8
45	H-73907	FHSCS 5/16"- 18 X 3/4" SS	4
46	H-74401	CB 5/16"- 18 X 1-3/4" SS	4
47	H-74430	CB 5/16"- 18 X 1" SS	4
48	H-74432	CB 5/16"- 18 X 1-1/2" SS	4
49	H-NJ05C	JNYL 5/16"- 18 SS	4
50	T-438350025	VALVE PAD	1

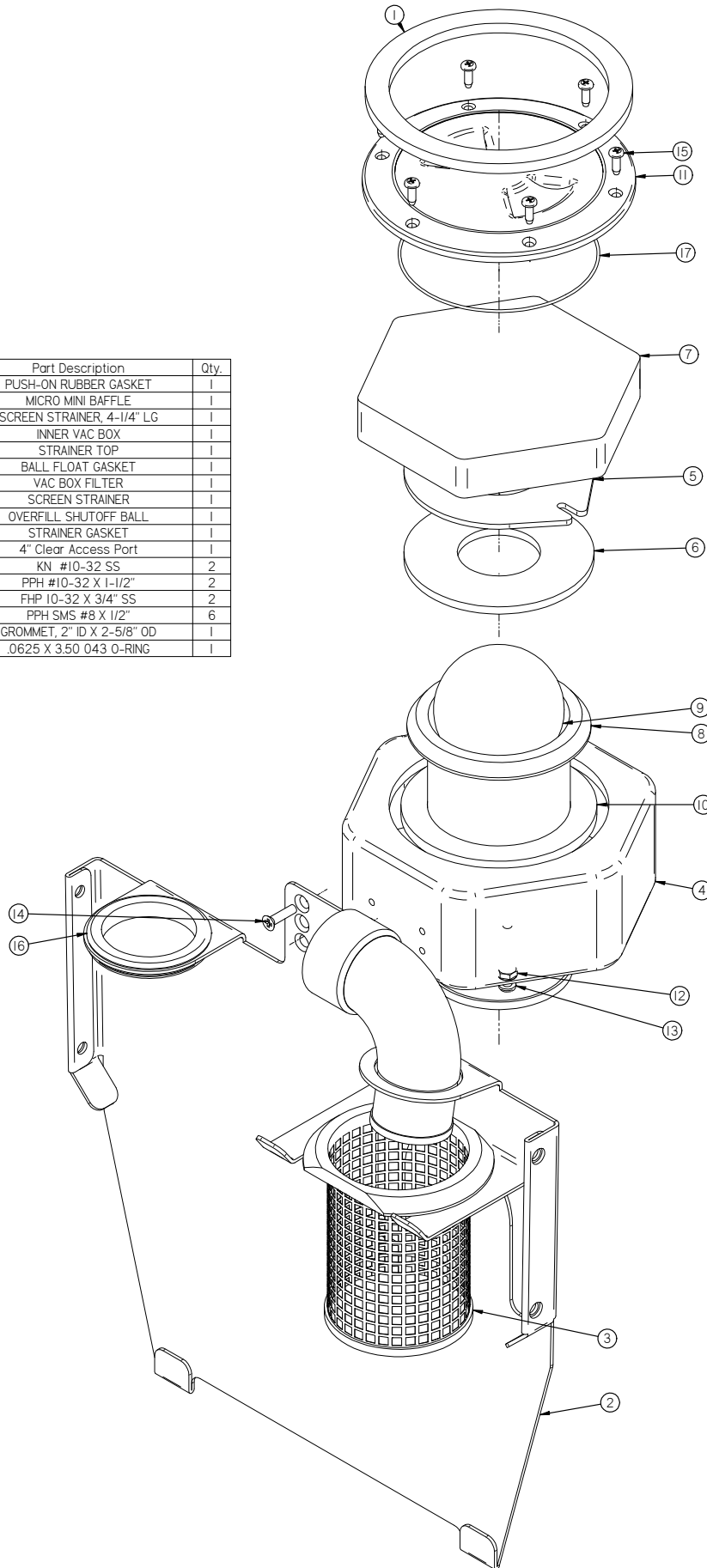
Tank Assembly - Serial Number 94937 and greater



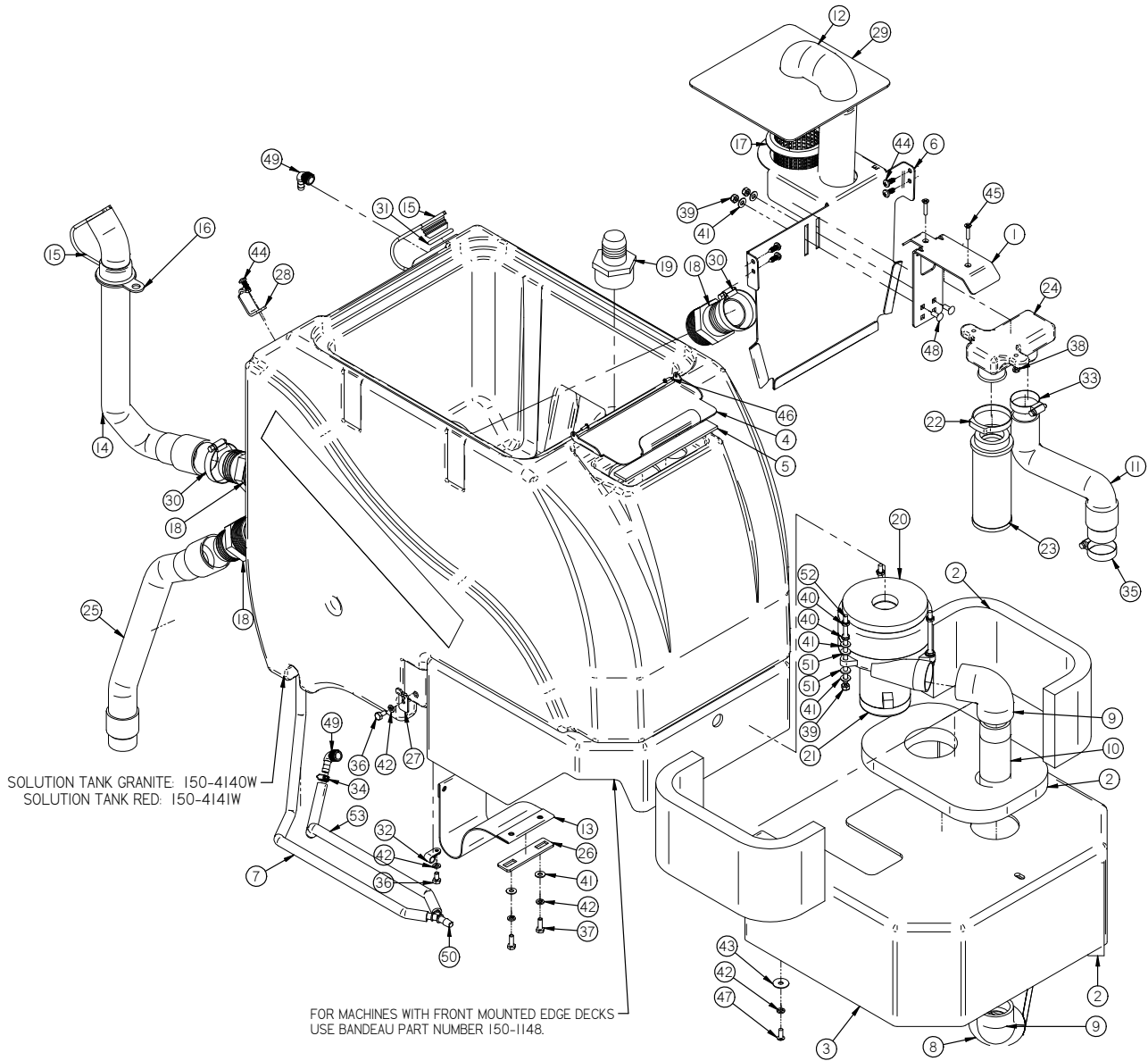
Item	Part No.	Part Description	Qty.	Item	Part No.	Part Description	Qty.
1	150-0115	INNER SQUEEGEE HOSE	1	24	5-8290	O-RING, #324, 1.35" X 1.77" X .210" BUNA-N	1
2	150-0120	INNER VAC HOSE	1	25	500-1380	FILL HOSE	1
3	150-1039	TANK STRAP BRACKET	1	26	H-0127288	#6 3/8" RUBBER LOOP CLAMP	1
4	150-1046	TANK STRAP	1	27	H-0427612	CLAMP 3/4" - 1-3/4" SS	1
5	150-1137	VAC MOTOR INSULATION	1	28	H-62002	HOSE CLAMP, #4 S/S	1
6	150-1145	BANDEAU COVER (DISK), PLASTIC	1	29	H-62044	CLAMP 1.0" - 2.0" SS	1
7	150-1229	SPLASH CURTAIN	1	30	H-70001	HCS 1/4"-20 X 1/2 SS"	3
8	150-1370	SIGHT TUBE	1	31	H-70003	HCS 1/4"-20 X 3/4" SS	2
9	150-2502	VACUUM FAN MUFFLER, 8" LG	2	32	H-70860	NYLOK 1/4"- 20 SS	3
10	150-7285	BATTERY CONFIGURATION PLATE	1	33	H-70925	KN 1/4-20 S/S	6
11	150-7291	EXHAUST ELBOW	2	34	H-71013	FW 1/4 ID X 5/8 OD SS	8
12	150-7292	I-1/2" X 5" NIPPLE	1	35	H-71063	LW 1/4" SS	8
13	150-8911	SCREEN STRAINER, 4-1/4" LG	1	36	H-71212	FNW 1/4 ID X 1.0 OD SS	3
14	170-7211	I-1/2 HOSE CAP	1	37	H-71893	1/4 X 3/4 SELF TAPPING SCREW	1
15	175-7210	RECOVERY DRAIN HOSE	1	38	H-72904	PPH SMS #6 X 1/2" SS	2
16	190-1210	2.0" MNPT X 2.0" BARB, PVC	3	39	H-73753	BHSCS 1/4 - 20 X 5/8" SS	3
17	190-1215	2.0" MNPT X 1.50" BARB, PVC	1	40	M-53525K18	ELBOW, 3/8" MNPT X 3/8" BARB, BRASS	2
18	190-3002	VAC MOTOR GASKET	1	41	M-5463K116	WYE, 3/8", NYLON	1
19	190-5250	VAC MOTOR, 3/4 HP, TANGENTIAL	1	42	M-90130A029	.25" NEOPRENE WASHER	6
20	253-0111	SQUEEGEE HOSE	1	43	M-9307K23	GROMMET, 3/8 ID X 7/8 OD X 1/8 TH.	1
21	253-1240	CLIP	2	44	M-95412A562	FTS 1/4"- 20 X 5" SS	3
22	253-9491	HOOK	1	45	T-038R1700	ELBOW TO WYE - HOSE	1
23	5-719	CLAMP 1 9/16 - 2 1/2" SS	2				

Tank Assembly - Serial Number 94937 and greater

Item	Part No.	Part Description	Qty.
1	150-1075	PUSH-ON RUBBER GASKET	1
2	150-1134	MICRO MINI BAFFLE	1
3	170-8911	SCREEN STRAINER, 4-1/4" LG	1
4	175-1133	INNER VAC BOX	1
5	175-4080	STRAINER TOP	1
6	175-4103	BALL FLOAT GASKET	1
7	264-4086	VAC BOX FILTER	1
8	264-9111	SCREEN STRAINER	1
9	38-712	OVERFILL SHUTOFF BALL	1
10	38-738	STRAINER GASKET	1
11	400-4250	4" Clear Access Port	1
12	H-70923	KN #10-32 SS	2
13	H-72554	PPH #10-32 X 1-1/2"	2
14	H-72684	FHP 10-32 X 3/4" SS	2
15	H-72914	PPH SMS #8 X 1/2"	6
16	H-9307K74	GROMMET, 2" ID X 2-5/8" OD	1
17	M-9452K132	.0625 X 3.50 043 O-RING	1

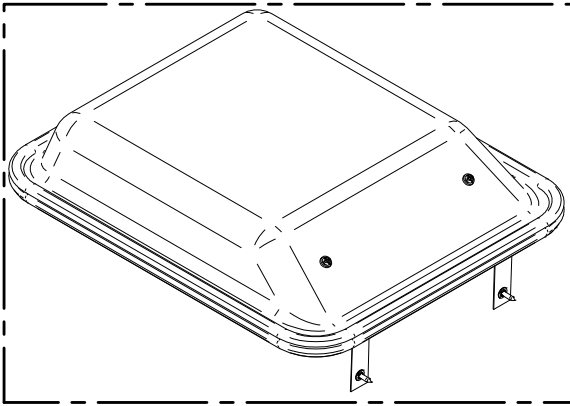


Tank Assembly - Serial Number 94936 and lower

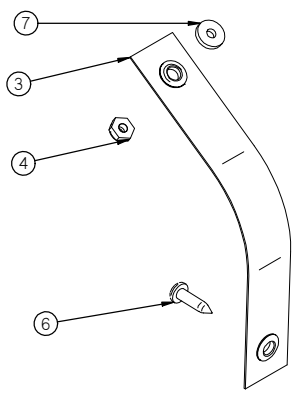
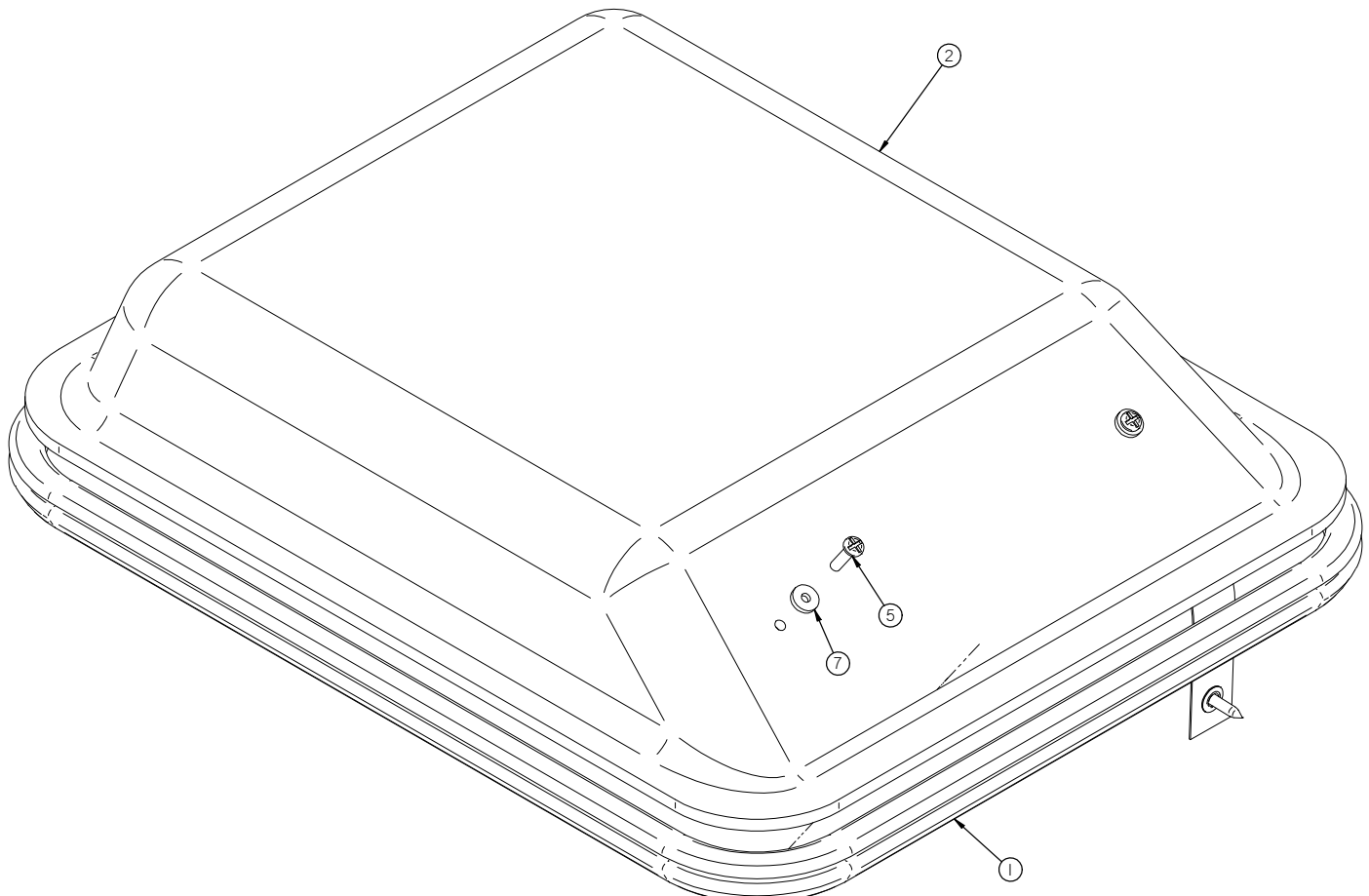


Item	Part No.	Part Description	Qty.	Item	Part No.	Part Description	Qty.
1	150-1122	BALL FLOAT HOLDER	1	28	253-9491	HOOK	1
2	150-1137	VAC MOTOR INSULATION	1	29	370-1129	TANK BACK SPLASH	1
3	150-1147	BANDEAU COVER (DISK), PLASTIC	1	30	5-719	CLAMP 1/916 - 2 1/2" SS	2
4	150-1180	SOLUTION FILL LID	1	31	5-8290	O-RING #324, 1.35" X 1.77" X .210" BUNA-N	1
5	150-1190	SEAL	1	32	H-0127288	#6 3/8" RUBBER LOOP CLAMP	1
6	150-1230	BAFFLE	1	33	H-0427612	CLAMP 3/4" - 1-3/4" SS	1
7	150-1370	SIGHT TUBE	1	34	H-62002	HOSE CLAMP, #4 S/S	1
8	150-2502	VACUUM FAN MUFFLER, 8" LG	1	35	H-62044	CLAMP 1.0" - 2.0" SS	1
9	150-7291	EXHAUST ELBOW	2	36	H-70001	HCS 1/4"-20 X 1/2 SS"	2
10	150-7292	1-1/2" X 5" NIPPLE	1	37	H-70003	HCS 1/4"-20 X 3/4" SS	2
11	170-0120	1-1/2" DIA. INNER VAC HOSE	1	38	H-70858	NYLOK #10-32 SS	1
12	170-0121	INNER SQUEEGEE HOSE	1	39	H-70860	NYLOK 1/4" - 20 SS	4
13	170-1045	TANK STRAP, 22" LG X 4" WIDE	1	40	H-70925	KN 1/4-20 S/S	5
14	170-7210	1-1/2 INCH DIA. COMPLETE DRAIN HOSE	1	41	H-71013	FW 1/4 ID X 5/8 OD SS	8
15	170-7211	1-1/2 HOSE CAP	2	42	H-71063	LW 1/4" SS	5
16	170-7212	STRAP HOSE RETAINER, 2"	1	43	H-71212	FNW 1/4 ID X 1.0 OD SS	1
17	170-8911	SCREEN STRAINER, 4-1/4" LG	1	44	H-71893	1/4 X 3/4 SELF TAPPING SCREW	5
18	190-1210	2.0" MNPT X 2.0" BARB, PVC	3	45	H-72685	FHP 10-32 X 1" SS	2
19	190-1215	2.0" MNPT X 1.50" BARB, PVC	1	46	H-72904	PPH SMS #6 X 1/2" SS	2
20	190-3002	VAC MOTOR GASKET	1	47	H-73753	BHSCS 1/4 - 20 X 5/8" SS	1
21	190-5250	VAC MOTOR, 3/4 HP, TANGENTIAL	1	48	H-74418	CB 1/4" - 20 X 5/8" S/S	2
22	21-4028	SNAP GRIP CLAMP	1	49	M-53525K18	ELBOW, 3/8" MNPT X 3/8" BARB, BRASS	2
23	21-4085	VAC SCREEN	1	50	M-5463K116	WYE, 3/8", NYLON	1
24	21-7060	VAC BOX	1	51	M-90130A029	.25" NEOPRENE WASHER	4
25	253-0111	SQUEEGEE HOSE	1	52	M-95412A562	FTS 1/4" - 20 X 5" SS	3
26	253-1040	TANK STRAP SUPPORT	1	53	T-038R1700	ELBOW TO WYE - HOSE	1
27	253-1240	CLIP	1				

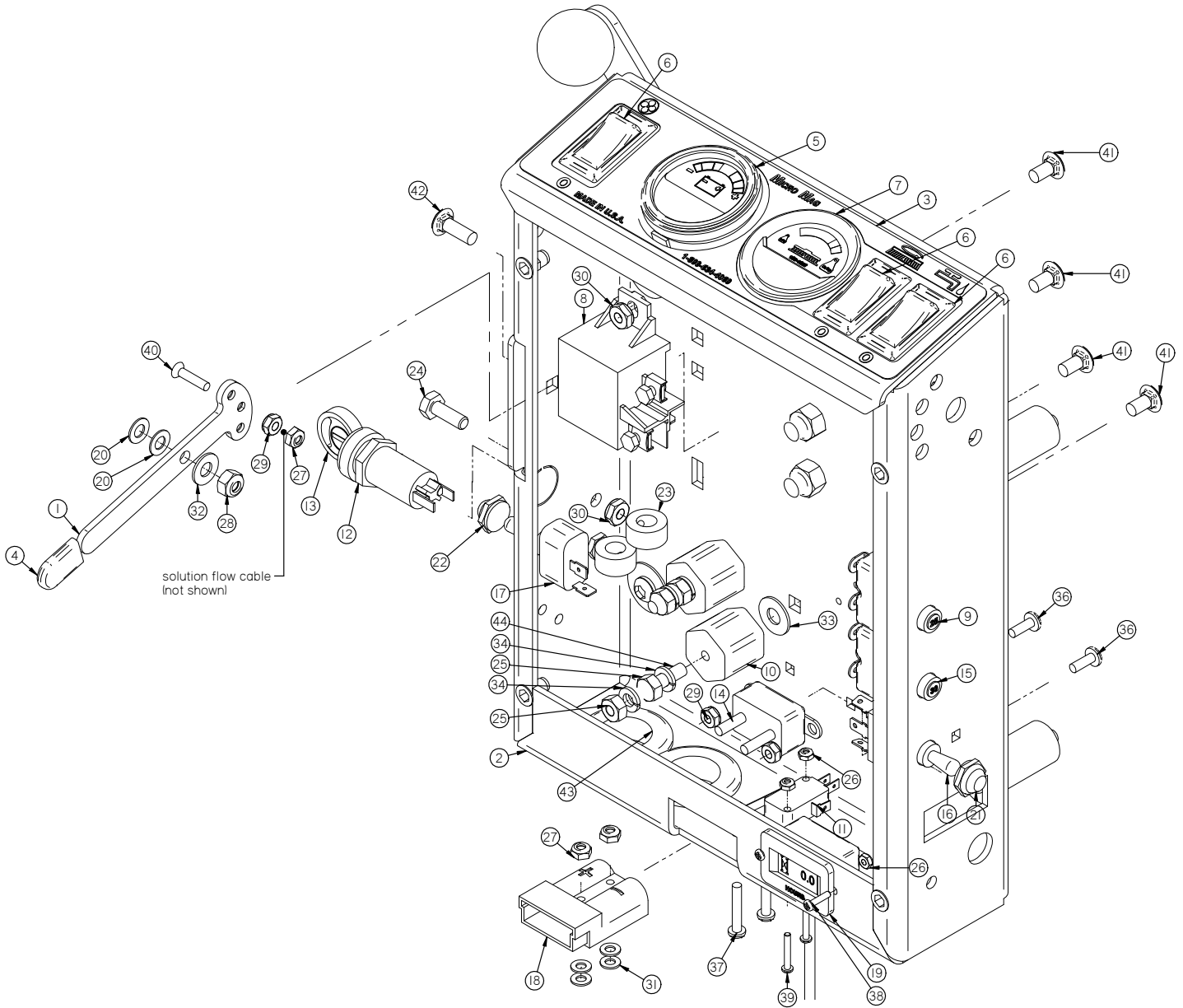
Clear Dome Lid Assembly



TANK LID ASSEMBLY 150-1410D

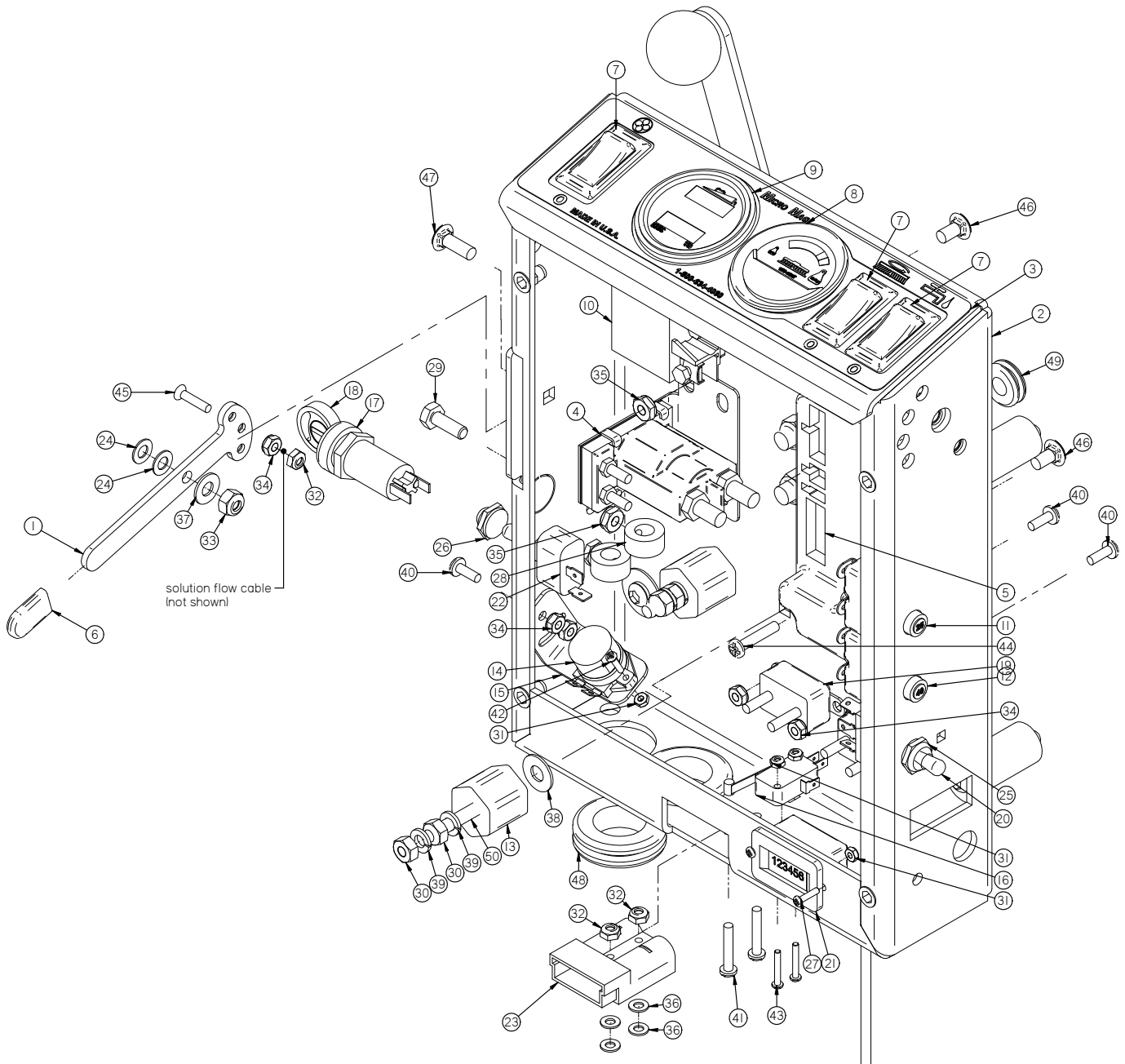


Item	Part No.	Part Description	Qty.
1	150-1075	PUSH-ON RUBBER GASKET	1
2	150-1410	VAC FORMED SMOKED COVER	1
3	175-1412	TANK LID STRAP W/GROMMETS	2
4	H-0129155	JNYL #10-32, 18-8 S/S	2
5	H-72534	PPH #10-32 X 3/4" S/S	2
6	H-72916	PPH SMS #8 X 3/4" SS	2
7	H-90133	.170 ID X .50 OD X .093 TH NEOPRENE WASHER	4



Item	Part No.	Part Description	Qty.	Item	Part No.	Part Description	Qty.
1	150-2003	VALVE LEVER	1	23	H-33372	SHAFT COLLAR, 3/8" ID	2
2	150-2010	CONTROL BOX	1	24	H-70003	HCS 1/4"-20 X 3/4" SS	2
3	150-2013	CONTROL PANEL STICKER	1	25	H-70710	HN 1/4"- 20 SS	4
4	150-4480	HANDLE GRIP (BLUE)	1	26	H-70854	NYLOK #4-40 SS	3
5	150-4855	METER BATTERY, 24V	1	27	H-70856	NYLOK #8-32 SS	3
6	170-2340	SWITCH, ROCKER, DPDT, ON/ON	3	28	H-70860	NYLOK 1/4"- 20 SS	1
7	190-4852	BRUSH PRESSURE GAUGE, 40 AMP	1	29	H-70922	KN #8-32	3
8	190-8283	RELAY, 24V, 50 AMP	1	30	H-70925	KN 1/4-20 S/S	3
9	190-8370	FUSE RESETTABLE - 25 AMP	1	31	H-71007	FW #8 SS	4
10	200-1011	SWITCHBOARD INSULATOR	2	32	H-71013	FW 1/4 ID X 5/8 OD SS	1
11	21-2230	MICRO SWITCH	1	33	H-71015	FW 5/16 ID X 3/4 OD SS	2
12	290-234	KEY SWITCH (WITH KEY)	1	34	H-71063	LW 1/4" SS	4
13	290-234A	KEY SET (REPLACE)	1	35	H-71212	FNW 1/4 ID X 1.0 OD SS	1
14	290-2815	CIR. BREAKER - 15A, 24V	1	36	H-72398	PPH #8-32 X 1/2" S/S	2
15	290-9609	FUSE, RESETTABLE, 30 AMP	1	37	H-72418	PPH #8-32 X 1" S/S	2
16	370-2830	SWITCH, TOGGLE, MOM/OFF/MOM (DPDT)	1	38	H-72486	PPH #4-40 X 1/2" S/S	2
17	370-8920	TOGGLE, ON-OFF SPST	1	39	H-72490	PPH #4-40 X 3/4" S/S	2
18	4-259	CONNECTOR, RED 50, HOUSING ONLY	1	40	H-72644	FHP #8-32 X 3/4"	1
19	8-262	HOUR METER	1	41	H-74417	CB 1/4"- 20 X .5" SS	4
20	H-00282	FW 1/4" NYLON	2	42	H-74419	CB 1/4"- 20 X .75" SS	1
21	H-11199	PROTECTIVE BOOT, TOGGLE SWITCH, (BLUE)	1	43	H-9307K74	GROMMET, 1" ID X 1-3/4" OD BUNA-N	2
22	H-11200	PROTECTIVE BOOT, TOGGLE SWITCH, (BLACK)	1	44	M-95412A544	STUD 1/4-20 X 1-1/4" SS	2

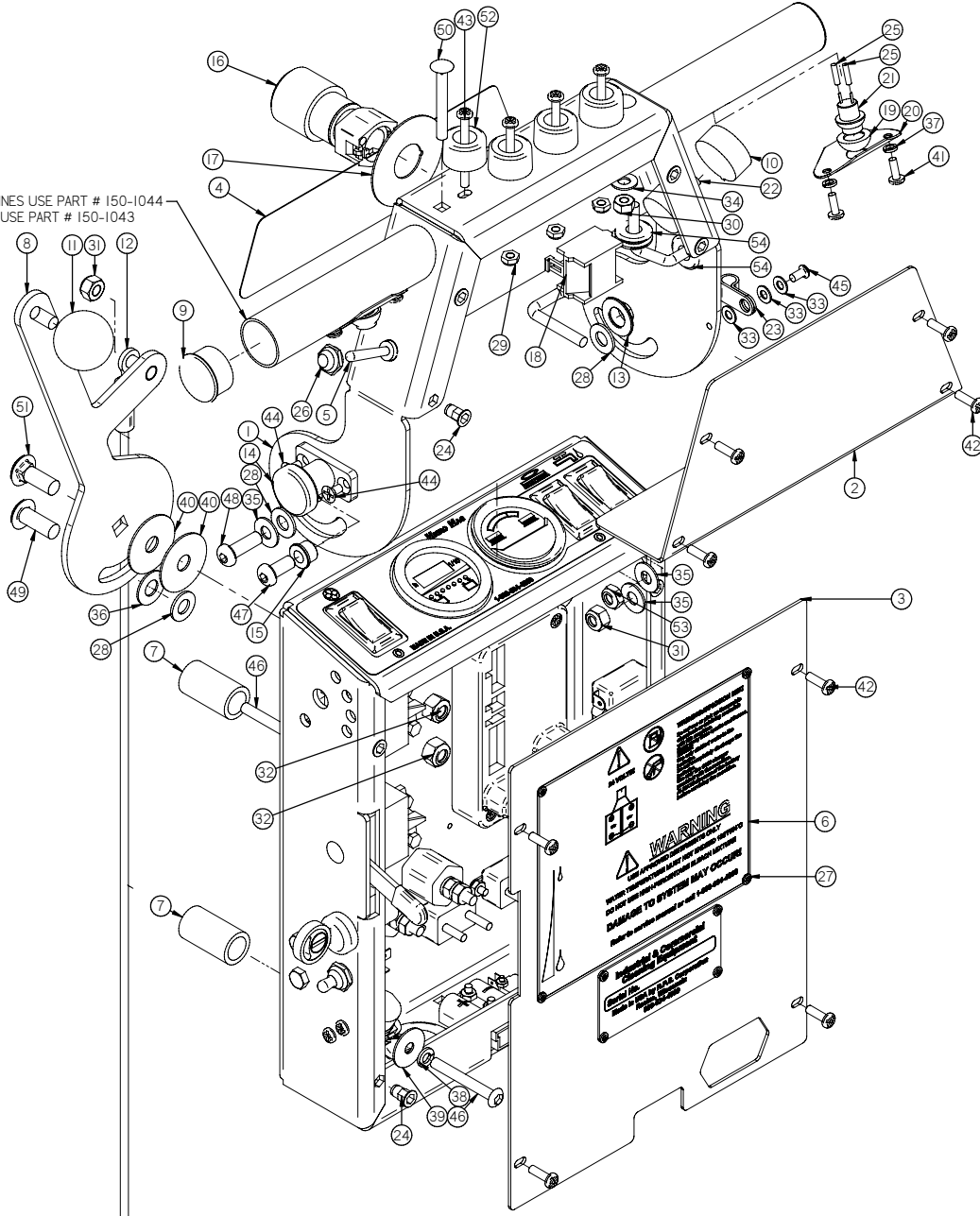
Central Command - Traction



Item	Part No.	Part Description	Qty.	Item	Part No.	Part Description	Qty.
1	150-2003	VALVE LEVER	1	26	H-11200	PROTECTIVE BOOT, TOGGLE SWITCH, (BLACK)	1
2	150-2010	CONTROL BOX	1	27	H-28679	PPH #4-40 X 1/2"	1
3	150-2013	CONTROL PANEL STICKER	1	28	H-33372	SHAFT COLLAR, 3/8" ID	2
4	150-2331	RELAY, 24V, SMALL W/FLAT MTG PLATE	1	29	H-70003	HCS 1/4"-20 X 3/4" SS	2
5	150-2899	IDRIVE 24V/36V, 70 AMP CONTROLLER	1	30	H-70710	HN 1/4"- 20 SS	4
6	150-4480	HANDLE GRIP (BLUE)	1	31	H-70854	NYLOK #4-40 SS	5
7	170-2340	SWITCH, ROCKER, DPDT, ON/ON	3	32	H-70856	NYLOK #8-32 SS	3
8	190-4852	BRUSH PRESSURE GAUGE, 40 AMP	1	33	H-70860	NYLOK 1/4"- 20 SS	1
9	190-4855	24V BATTERY AND HOUR METER	1	34	H-70922	KN #8-32	7
10	190-8283	RELAY, 24V, 50 AMP	1	35	H-70925	KN 1/4-20 S/S	6
11	190-8370	FUSE, RESETTABLE, 25 AMP	1	36	H-71007	FW #8 SS	4
12	190-9609	FUSE, RESETTABLE, 40 AMP	1	37	H-71013	FW 1/4 ID X 5/8 OD SS	1
13	200-1011	SWITCHBOARD INSULATOR	1	38	H-71015	FW 5/16 ID X 3/4 OD SS	2
14	200-1015	TILT SWITCH	1	39	H-71063	LW 1/4" SS	8
15	200-1016	TILT SWITCH BRACKET	1	40	H-72398	PPH #8-32 X 1/2" S/S	6
16	21-2230	MICRO SWITCH	1	41	H-72418	PPH #8-32 X 1" S/S	2
17	290-234	KEY SWITCH (WITH KEY)	1	42	H-72486	PPH #4-40 X 1/2" S/S	2
18	290-234A	KEY SET (REPLACE)	1	43	H-72490	PPH #4-40 X 3/4" S/S	2
19	290-2815	CIR. BREAKER - 15A, 24V	1	44	H-72536	PPH #10-32 X 1" S/S	2
20	370-2830	SWITCH, TOGGLE, MOM/OFF/MOM (DPDT)	1	45	H-72644	FHP #8-32 X 3/4"	1
21	370-8261	CHARGER COUNTER	1	46	H-74417	CB 1/4"- 20 X .5" SS	6
22	370-8920	TOGGLE, ON-OFF SPST	1	47	H-74419	CB 1/4"- 20 X .75" SS	1
23	4-259	CONNECTOR, RED 50, HOUSING ONLY	1	48	H-9307K74	GROMMET, 1" ID X 1-3/4" OD BUNA-N	2
24	H-00282	FW 1/4" NYLON	2	49	M-9307K23	GROMMET, 3/8 ID X 7/8 OD X 1/8 TH.	1
25	H-11199	PROTECTIVE BOOT, TOGGLE SWITCH, (BLUE)	1	50	M-95412A544	STUD 1/4-20 X 1-1/4" SS	2

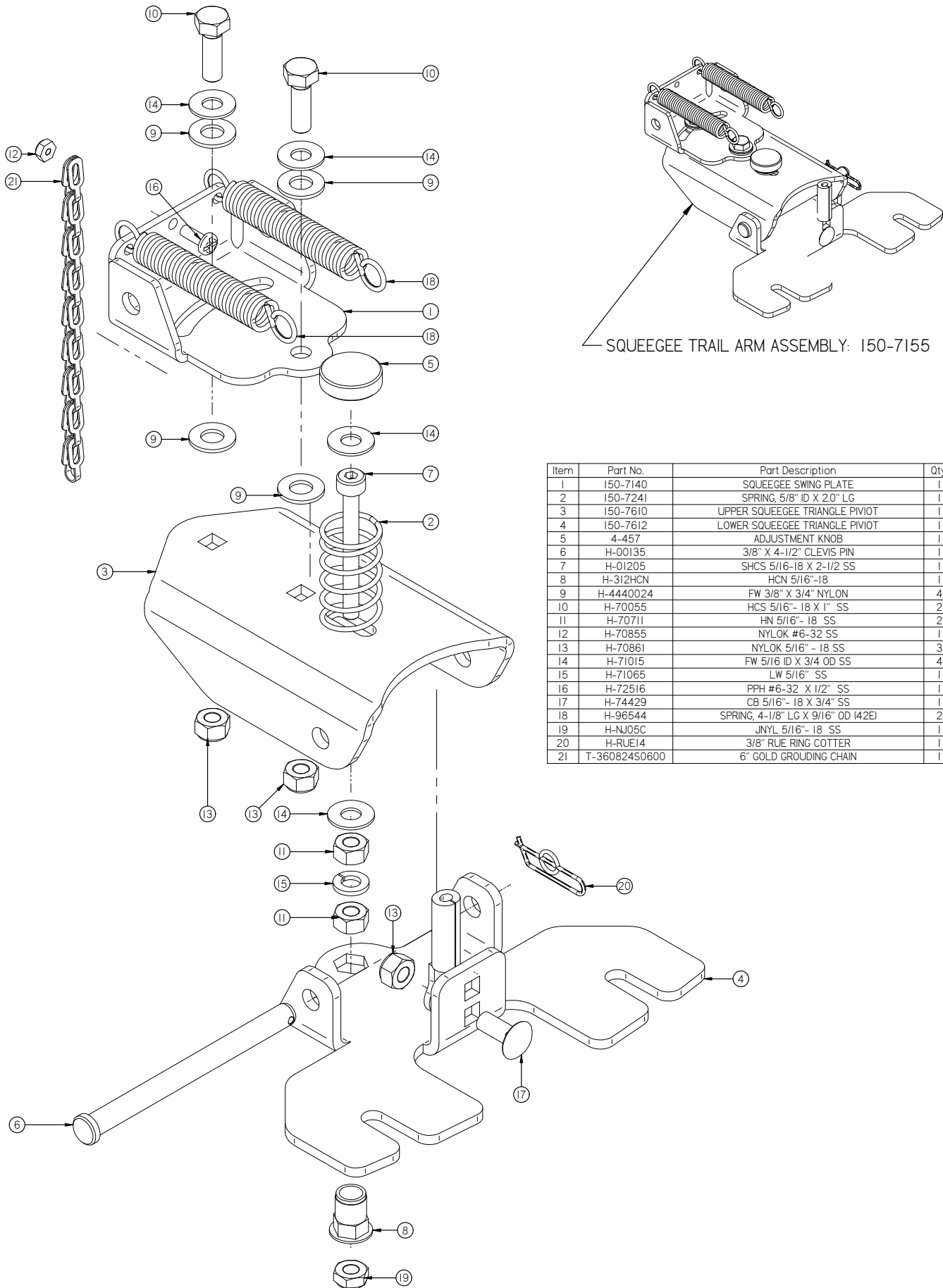
Handlebar and Squeegee Lift Arm Assembly

FOR TRACTION DRIVE MACHINES USE PART # 150-1044
FOR PAD ASSIST MACHINES USE PART # 150-1043

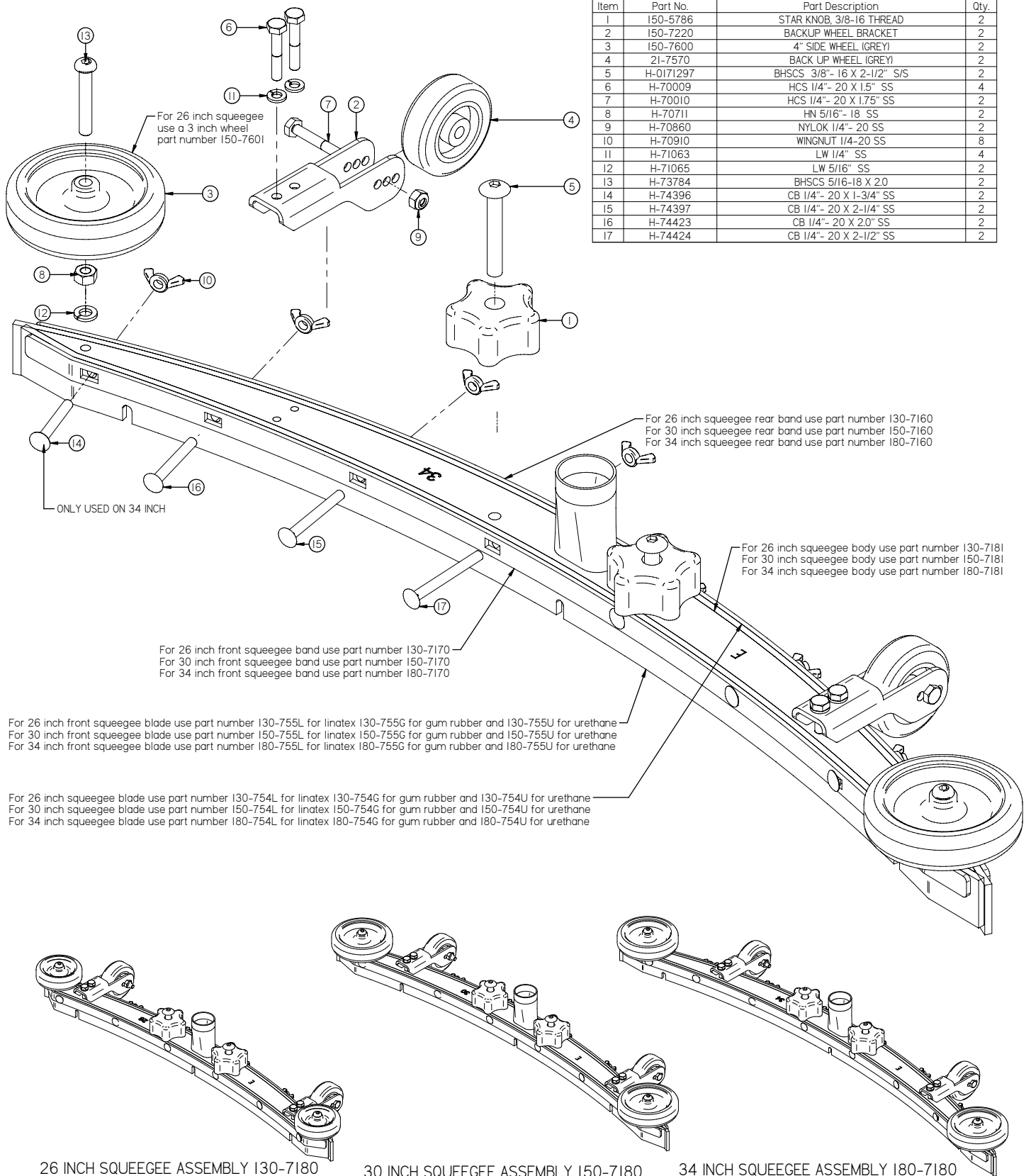


Item	Part No.	Part Description	Qty.	Item	Part No.	Part Description	Qty.
1	150-1040	ADJUSTABLE HANDLE BAR HOLDER	1	28	H-4440024	FW 3/8" X 3/4" NYLON	5
2	150-1042	HANDEL BAR COVER	1	29	H-70858	NYLOK #10-32 SS	4
3	150-2000	TRACTION CONTROL PANEL COVER	1	30	H-70860	NYLOK 1/4" - 20 SS	1
4	150-2016	MICRO MAG STICKER	1	31	H-70861	NYLOK 5/16" - 18 SS	3
5	150-2830	SWITCH, TOGGLE, MOM/OFF/MOM (DPDT)	1	32	H-70862	NYLOK 3/8"-16 SS	2
6	150-7281	EXPLOSION WARNING PLATE	1	33	H-71009	FW #10 SS	3
7	170-2700	SPACER, 1-1/2" LG	4	34	H-71013	FW 1/4 ID X 5/8 OD SS	2
8	170-7100	SQUEEGEE LIFT LEVER	1	35	H-71015	FW 5/16 ID X 3/4 OD SS	6
9	190-1390	END CAP	1	36	H-71017	FW 3/8 ID X 7/8 OD SS	1
10	21-4520	SPEED CONTROL KNOB, RED	1	37	H-71057	LW #8, SS	4
11	21-7101	LIFT KNOB	1	38	H-71063	LW 1/4" SS	1
12	253-7891	SQUEEGEE LIFT CABLE, 30"	1	39	H-71212	FNW 1/4 ID X 1.0 OD SS	1
13	290-1247	BRONZE THRUST BEARING, .50" ID X 1.0" OD X 1/16" TH	2	40	H-71217	FNW 3/8 ID X 1-1/2 OD SS	2
14	290-7050	INDEX PLUNGER	1	41	H-72398	PPH #8-32 X 1/2" S/S	4
15	370-1245	BUSHING	2	42	H-72517	PPH #10-32 X 5/8" SS	5
16	5-300	EMERGENCY SHUT OFF	1	43	H-72566	PPH #10-32 X 2" SS	4
17	5-301	EMERGENCY LEGEND PLATE	1	44	H-72681	FHP #10-32 X 3/8" SS	2
18	5-302	EMERGENCY CONTACT BLACK	1	45	H-73742	BHSCS 10-32 X 3/8" SS	1
19	7-227	BUTTON COVER	2	46	H-73759	BHSCS 1/4 - 20 X 2.0" SS	4
20	7-228	SWITCH MOUNT PLATE	2	47	H-73779	BHSCS 5/16-18 X 3/4"	2
21	7-229D	PUSH BUTTON SWITCH	2	48	H-73780	BHSCS 5/16-18 X 1	2
22	7-292	5K POTENTIOMETER	1	49	H-73815	BHSCS 3/8" - 16 X 1" SS	1
23	H-02239	3/8" VINYL LOOP CLAMP	1	50	H-74423	CB 1/4" - 20 X 2.0" SS	2
24	H-02309	HCN #10-32, LG CRIMP	8	51	H-74436	CB 3/8" - 16 X 1.0" SS	1
25	H-108	HEAT SHRINK	4	52	H-9540	RUBBER BUMPER, 25/32"	4
26	H-11196	PROTECTIVE BOOT, TOGGLE SWITCH, (RED)	1	53	H-NJ05C	JNYL 5/16"- 18 SS	2
27	H-41007	AB4-3A BLIND RIVET	8	54	M-9307K23	GROMMET, 3/8 ID X 7/8 OD X 1/8 TH.	2

Squeegee Drag Link Assembly

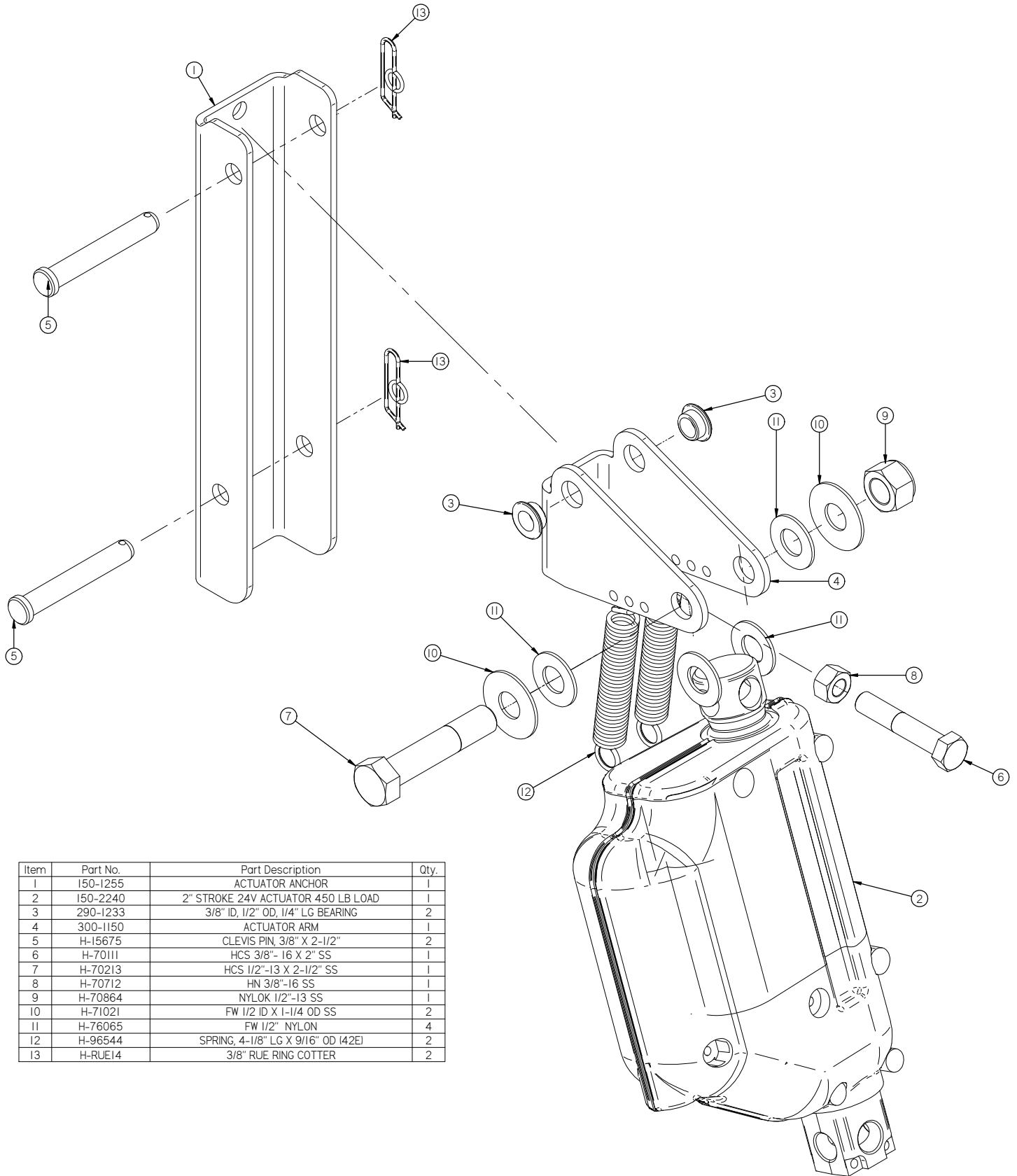


Item	Part No.	Part Description	Qty.
1	150-7140	SQUEEGEE SWING PLATE	1
2	150-7241	SPRING 5/8" ID X 2.0" LG	1
3	150-7610	UPPER SQUEEGEE TRIANGLE PIVOT	1
4	150-7612	LOWER SQUEEGEE TRIANGLE PIVOT	1
5	4-457	ADJUSTMENT KNOB	1
6	H-00135	3/8" X 4-1/2" CLEVIS PIN	1
7	H-01205	SHCS 5/16-18 X 2-1/2 SS	1
8	H-312HCN	HCN 5/16"-18	1
9	H-4440024	FW 3/8" X 3/4" NYLON	4
10	H-70065	HCS 5/16"- 18 X 1" SS	2
11	H-70711	HN 5/16"- 18 SS	2
12	H-70855	NYLOK #6-32 SS	1
13	H-70861	NYLOK 5/16" - 18 SS	3
14	H-71015	FW 5/16 ID X 3/4 OD SS	4
15	H-71065	LW 5/16" SS	1
16	H-72516	PPH #6-32 X 1/2" SS	1
17	H-74429	CB 5/16"- 18 X 3/4" SS	1
18	H-96544	SPRING 4-1/8" LG X 9/16" OD I42EJ	2
19	H-NJ05C	JNYL 5/16"- 18 SS	1
20	H-RUE14	3/8" RUE RING COTTER	1
21	T-360824S0600	6" GOLD GRADING CHAIN	1



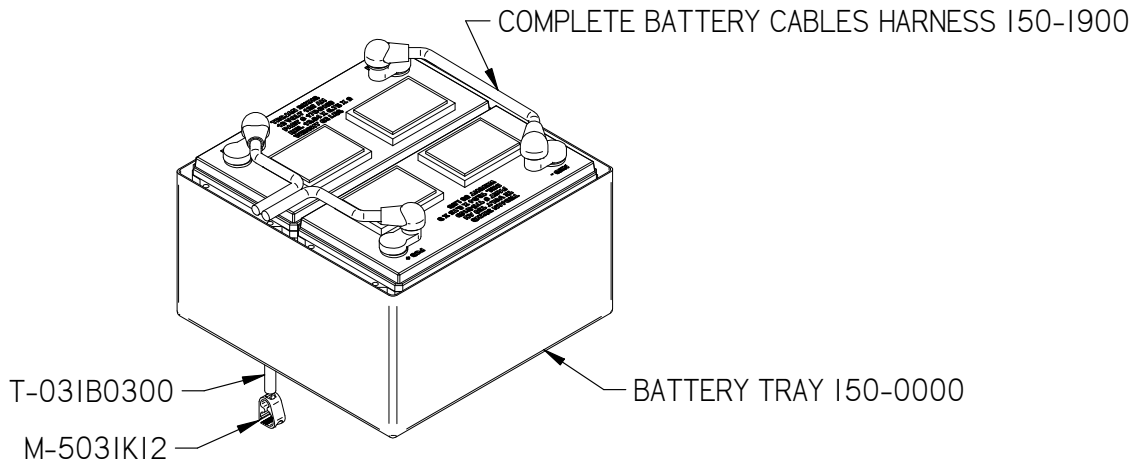
Item	Part No.	Part Description	Qty.
1	150-5786	STAR KNOB, 3/8-16 THREAD	2
2	150-7220	BACKUP WHEEL BRACKET	2
3	150-7600	4" SIDE WHEEL (GREY)	2
4	21-7570	BACK UP WHEEL (GREY)	2
5	H-0171297	BHSCS 3/8"- 16 X 2-1/2" S/S	2
6	H-70009	HCS 1/4"- 20 X 1.5" SS	4
7	H-70010	HCS 1/4"- 20 X 1.75" SS	2
8	H-70711	HN 5/16"- 18 SS	2
9	H-70860	NYLOK 1/4"- 20 SS	2
10	H-70910	WINGNUT 1/4-20 SS	8
11	H-71063	LW 1/4" SS	4
12	H-71065	LW 5/16" SS	2
13	H-73784	BHSCS 5/16-18 X 2.0	2
14	H-74396	CB 1/4"- 20 X 1-3/4" SS	2
15	H-74397	CB 1/4"- 20 X 2-1/4" SS	2
16	H-74423	CB 1/4"- 20 X 2.0" SS	2
17	H-74424	CB 1/4"- 20 X 2-1/2" SS	2

Actuator Lift Assembly

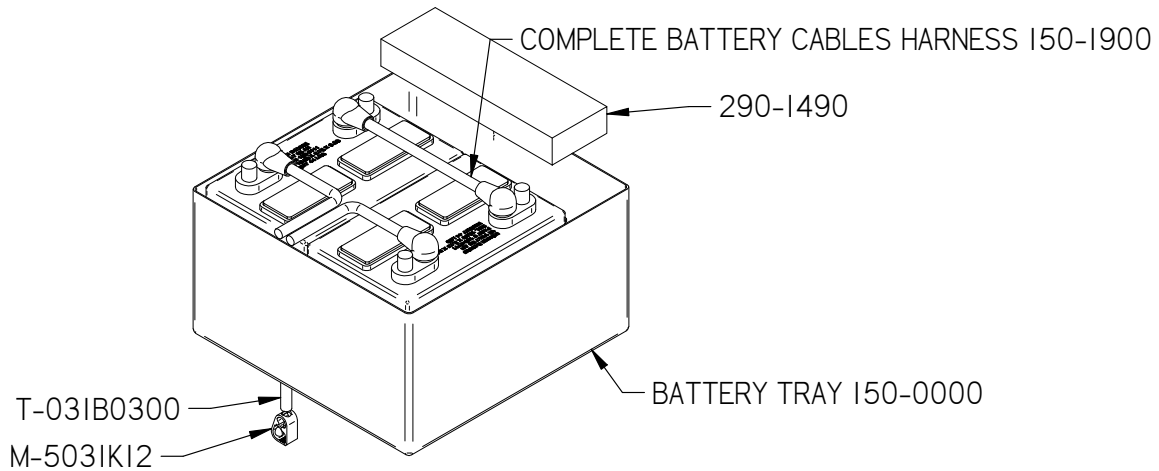


Item	Part No.	Part Description	Qty.
1	150-1255	ACTUATOR ANCHOR	1
2	150-2240	2" STROKE 24V ACTUATOR 450 LB LOAD	1
3	290-1233	3/8" ID, 1/2" OD, 1/4" LG BEARING	2
4	300-1150	ACTUATOR ARM	1
5	H-15675	CLEVIS PIN, 3/8" X 2-1/2"	2
6	H-70111	HCS 3/8" - 16 X 2" SS	1
7	H-70213	HCS 1/2"-13 X 2-1/2" SS	1
8	H-70712	HN 3/8"-16 SS	1
9	H-70864	NYLOK 1/2"-13 SS	1
10	H-71021	FW 1/2 ID X 1-1/4 OD SS	2
11	H-76065	FW 1/2" NYLON	4
12	H-96544	SPRING, 4-1/8" LG X 9/16" OD (42E)	2
13	H-RUE14	3/8" RUE RING COTTER	2

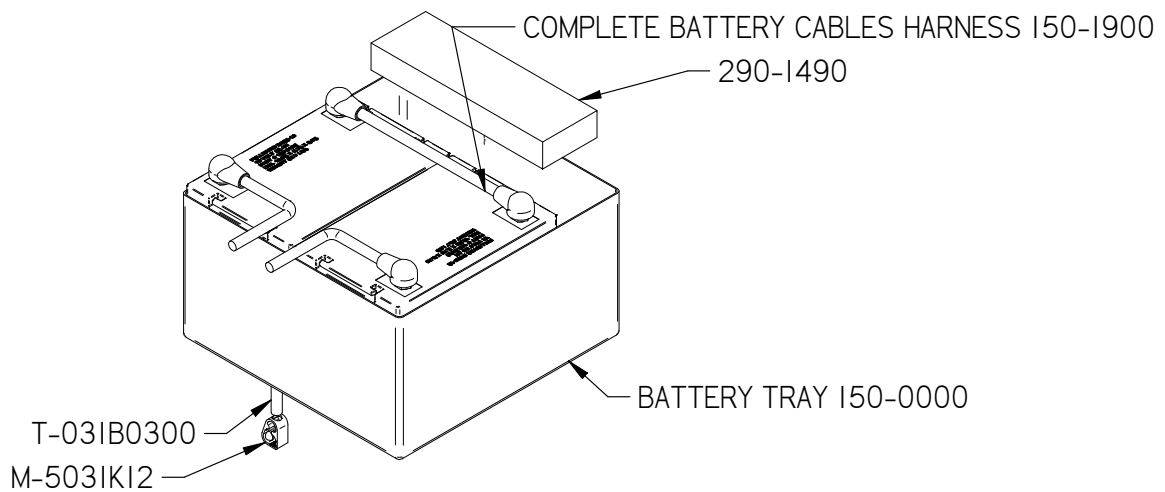
130 AH TROJANS 170-2109 USE CHARGER 150-2440



85 AH TROJANS 150-2109 USE CHARGER 150-2440



85 AH AGM 150-2120 USE CHARGER 170-2440



Common Wear Parts

ROUND DISK BRUSHES FOR SERIAL # 89939 AND BELOW:

BRUSHES	MODEL 17" DISK	MODEL 20" DISK
Super Grit	17-421SS	20-421SS
Tough Grit	17-421S	20-421S
Midi Grit	17-421C	20-421C
Light Grit	17-421PS	20-421PS
Poly (.028)	17-421P	20-421P
Nylon (.016)	17-421N	20-421N
Tampico	17-421T	20-421T
Pad Driver	17-421D	20-421D
Diamond Driver	17-421DD	20-421DD
Pad Retainer #40-434		

ROUND DISK BRUSHES FOR SERIAL # 89940 AND ABOVE:

BRUSHES	MODEL 17" DISK	MODEL 20" DISK
Super Grit	17-382SS	20-382SS
Tough Grit	17-382S	20-382S
Midi Grit	17-382C	20-382C
Light Grit	17-382PS	20-382PS
Poly (.028)	17-382P	20-382P
Nylon (.016)	17-382N	20-382N
Tampico	17-382T	20-382T
Pad Driver	17-382D	20-382D
Diamond Driver	17-382DD	20-382DD
Pad Retainer #40-434		

ROUND DISK PADS:**NOTICE**

The ## in Disk Column Denotes Desk Pad Size: 17" or 20"

DISK PADS	DISK	LEVEL	COLOR
Super Black	##-422BB	Very High	Black
Black	##-422B	High	Black
Brown	##-422BR	High	Brown
Green	##-422G	Medium	Green
Blue	##-422BL	Moderate	Blue
Red	##-422R	Moderate	Red
White	##-422W	Light	White

EDGE PADS AND SCREENS:

DESCRIPTION	24"×14"	20"×14"	13"×19"
	SCRUBDECK	SCRUBDECK	
White Pad	N/A	EDGE-4005	N/A
Red Pad	EDGE-2404	EDGE-4004	N/A
Blue Pad	EDGE-2403	EDGE-4003	N/A
Green Pad	EDGE-2402	EDGE-4002	N/A
Black Pad	EDGE-2401	EDGE-4001	N/A
White Driver Pad	N/A	EDGE-4025	EDGE-4019
60 Grit Sand Screen	N/A	EDGE-4026	EDGE-4020
80 Grit Sand Screen	N/A	EDGE-4027	EDGE-4021
100 Grit Sand Screen	N/A	EDGE-4028	EDGE-4022
120 Grit Sand Screen	N/A	EDGE-4029	EDGE-4023
150 Grit Sand Screen	N/A	EDGE-4030	EDGE-4024
20 Grit Sand Paper	N/A	EDGE-4031	N/A
36 Grit Sand Paper	N/A	EDGE-4032	N/A
60 Grit Sand Paper	N/A	EDGE-4033	N/A
80 Grit Sand Paper	N/A	EDGE-4034	N/A
100 Grit Sand Paper	N/A	EDGE-4035	N/A
100 Grit Diamond Polishing Pad	N/A	EDGE-4012	N/A
400 Grit Diamond Polishing Pad	N/A	EDGE-4013	N/A
800 Grit Diamond Polishing Pad	N/A	EDGE-4014	N/A
1500 Grit Diamond Polishing Pad	N/A	EDGE-4015	N/A
3000 Grit Diamond Polishing Pad	N/A	EDGE-4016	N/A
6000 Grit Diamond Polishing Pad	N/A	EDGE-4070	N/A
Tile/Grout Renovator Pad	N/A	EDGE-4018	N/A
Microfiber Pad	N/A	EDGE-4036	N/A
Abrader Plate	N/A	N/A	EDGE-4011
Dominator HD Strip Pad	N/A	EDGE-4006	N/A
Maroon ECO Prep Pad	EDGE-2407	EDGE-4007	N/A
Remover Burnishing Pad	N/A	EDGE-4008	N/A
Porko Burnishing Pad	N/A	EDGE-4017	N/A
Velcro Pad	N/A	300-4023	N/A

EDGE GRIP FACE:

DESCRIPTION	PART#
20" Velcro Grip Face	300-1037
24" Velcro Grip Face	300-1038
20" Mighty Lok Grip Face	300-01037Z

Common Wear Parts

SQUEEGEE BLADE KITS & COMPLETE SQUEEGEE ASSEMBLIES:

SQUEEGEE SIZE	MODEL 24" EDGE	GUM RUBBER BLADE KIT	LINATEX BLADE KIT	COMPLETE SQUEEGEE ASSEMBLIES
26" Squeegee	Optional	130-770G	130-770L	130-7180
30" Squeegee	Optional	150-770G	150-770L	150-7180
34" Squeegee	Standard	180-770G	180-770L	180-7180

NOTICE

Squeegee blade kits include (1) Rear Blade, (1) Front Blade, and (2) Backup Wheels with hardware.

NOTICE

Squeegee Assemblies (complete) listed above all come with Linatex blades.

NOTICE

Size is stamped into the top of the painted steel squeegee body on all squeegee's.

NOTICE

The 26" squeegee is designed for narrow aisles and may not have the same water control around tight turns as the large squeegees.

BLANK

THIS PAGE WAS INTENTIONALLY LEFT BLANK

BLANK

THIS PAGE WAS INTENTIONALLY LEFT BLANK



1711 South Street
Racine, WI 53404
www.rpscorporation.com
Tel. US: 800-634-4060
Tel. Int: (001) 262-681-3583