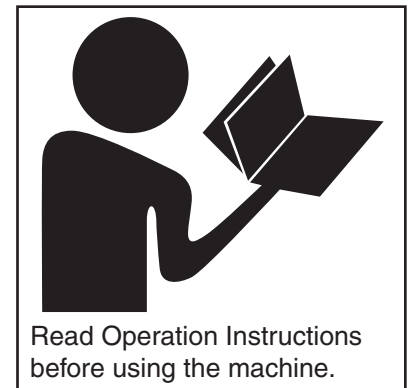
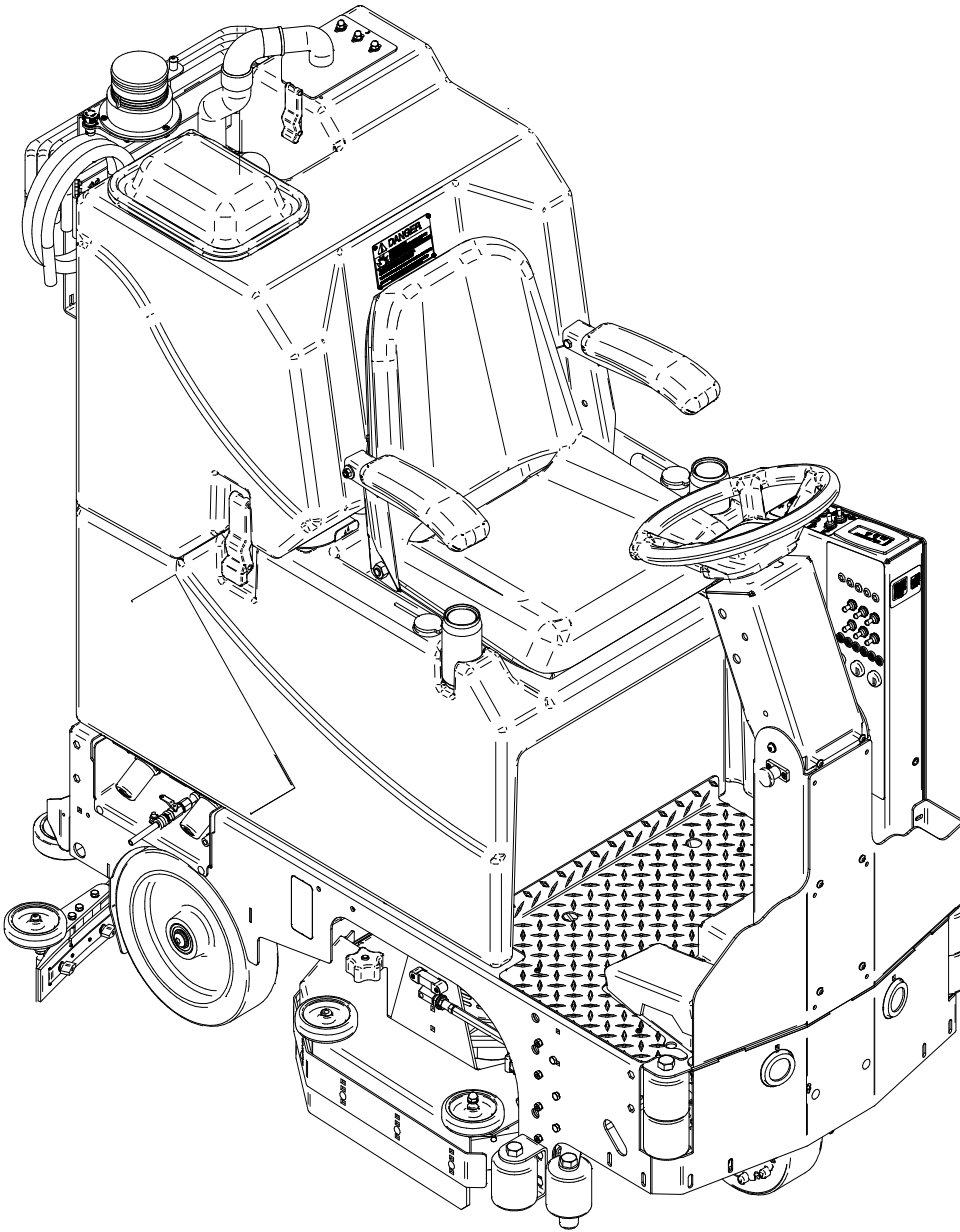


TOMCAT[®]

CRZ^{v2.0}

Parts Manual (EN)

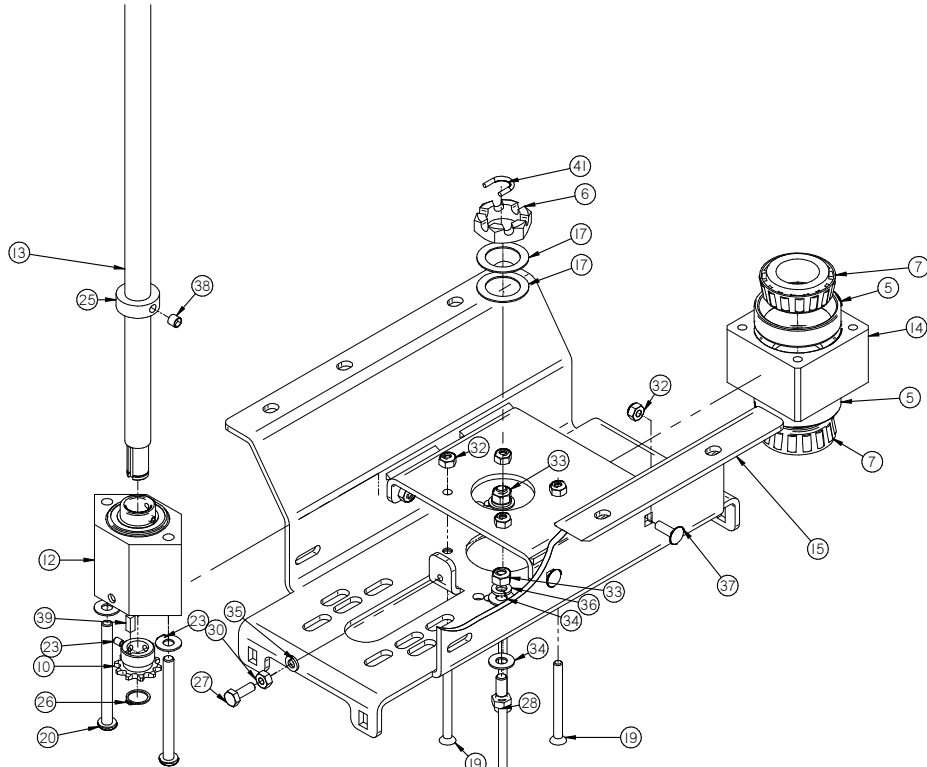


Read Operation Instructions
before using the machine.

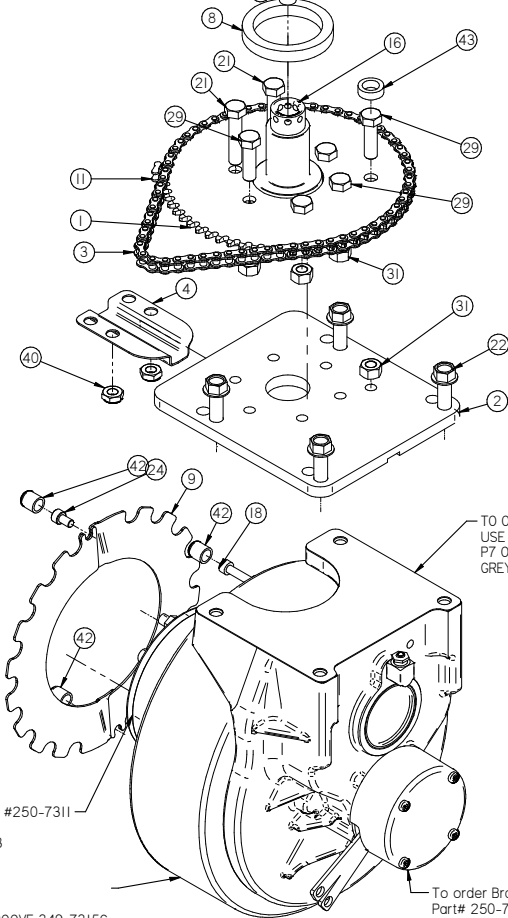


Read the Safety Messages
before using the machine.

ST Front Wheel Drive Serial # 105883 & Higher.....	5
Front Wheel, Side Brooms, and Side Rollers.....	6
Side Brooms.....	8
Attaching Decks.....	9
Disk Shrouds.....	10
Disk Decks.....	11
Cylindrical Decks.....	13
Cylindrical Wipers.....	15
EDGE Decks.....	16
Cylindrical Doors.....	18
EDGE Deck Wipers.....	19
Squeegee Trail Arm - Standard.....	20
Squeegee Assembly.....	21
Attaching Squeegee Trail Arm, Bumper, & Axle.....	22
Solution System.....	23
ZERO3 System.....	24
Suds System.....	25
Solution Tank.....	26
Recovery Tank.....	27
Rear Options.....	28
Vacuum Motor Assembly.....	29
Attaching Tanks & Batteries.....	30
Steering Column.....	31
Attaching Steering Column & Central Command.....	32
34" Disk & 33" Cylindrical Doors.....	33
28" Disk, 30" Disk & 29" Cylindrical Doors.....	34
26" Disk & 25" Cylindrical Doors.....	35
Legacy Central Command.....	36
Military Central Command.....	38
Touch Central Command.....	40
Common Wear Parts.....	42



Item	Part No.	Part Description	Qty.
1	250-7314	60 TOOTH STEERING SPROCKET	1
2	250-7326	PIVOT PLATE	1
3	250-7327	48 TOOTH STEERING CHAIN	1
4	250-7328	WIRE GUIDE	1
5	37-7318	TAPERED BEARING CUP	2
6	37-7321	SLOTTED NUT, 2.0 - 12	1
7	370-7317	TAPERED ROLLER BEARING	2
8	370-8374	BEARING SEAL	1
9	370-9557	DRIVE GUARD	2
10	5-826	10 TOOTH SPROCKET 5/8 SHAFT	1
11	5-831	MASTER LINK	1
12	600-7231A	BEARING W/HOUSING	1
13	600-7120	STEERING SHAFT, LOWER	1
14	600-7230	BEARING BLOCK	1
15	600-7316	FRONT DRIVE DROP PLATE	1
16	600-7332	STEERING SPINDLE	1
17	8-713	1 1/2" THRUST WASHER	2
18	H-0135920	SHC M6-1 X 25 ZINK	10
19	H-0170132	FHP 1/4"- 20 X 2-3/4"	4
20	H-0171294	BHSCS 5/16-18 X 3.5	2
21	H-0172948	HCS 3/8"- 24 X 1-3/4" SS FULL THREADED	2
22	H-11115680	FB CASHD M10-1.5 X 30mm	4
23	H-25306	SSS CP #10-32 X 1/4"	2
24	H-2550010	SHCS M-6 X 10	2
25	H-33376	SHAFT COLLAR, 3/4" ID X 9/16 LG	1
26	H-68013	SNAPRING	1
27	H-70003	HCS 1/4"-20 X 3/4" SS	1
28	H-70053	HCS 5/16"- 18 X 3/4" SS	2
29	H-70143	HCS 3/8"- 24 X 1-1/4" SS FULL THREADED	5
30	H-70710	HN 1/4"- 20 SS	1
31	H-70732	HN 3/8"- 24 SS	7
32	H-70860	NYLOK 1/4"- 20 SS	8
33	H-70861	NYLOK 5/16"- 18 SS	4
34	H-71015	FW 5/16 ID X 3/4 OD SS	6
35	H-71063	LW 1/4" SS	1
36	H-71065	LW 5/16" SS	2
37	H-74419	CB 1/4"- 20 X .75" SS	4
38	H-81983	5/16" X 1/4" KURL SET SCREW	1
39	H-K1432	3/16" X 1/2" KEY	1
40	H-NJ06C	JNYL 3/8-16 SS	2
41	M-938IT24	S-HOOK	1
42	M-9753K16	VINYL CAP, 1/2"	12
43	T-050R0025	CLEAR TUBING	1



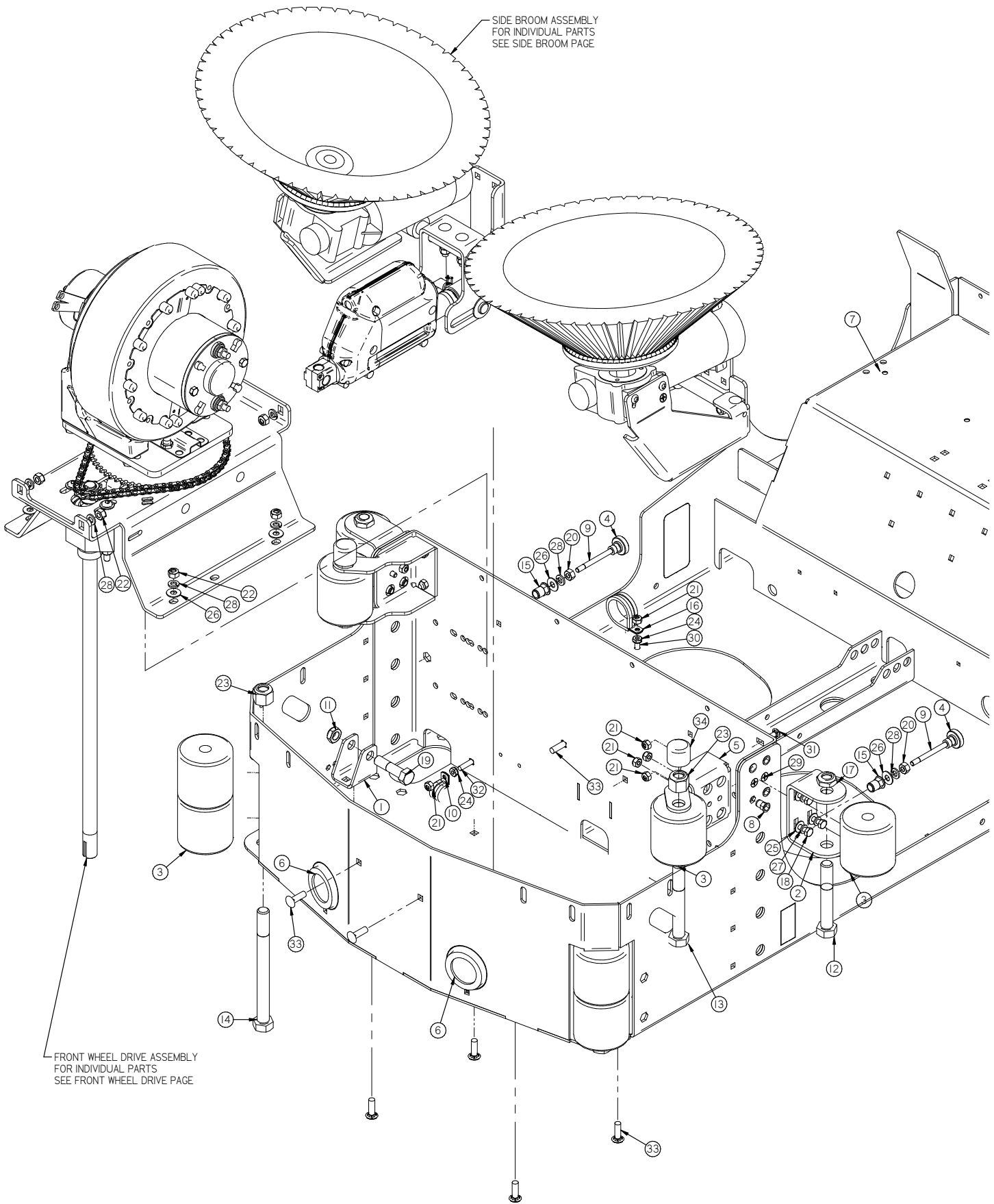
TO ORDER 10" COMPLETE ASSY
USE PART# 250-7310D
P7 OPTION ASSY USE PART # 250-7317
GREY OPTION ASSY USE PART # 250-7318

TO ORDER 10" MOTOR SEPARATELY USE PART #250-7311
FOR BRUSH KIT USE PART #250-7311B
FOR TRACTION DRIVE HARNESS USE 370-7213

TO ORDER 10" TIRE USE PART
GREY TEXTURED 250-8315
BLACK HYTRAQ X MODIFIED GROOVE 349-7315G
P-7 X GROOVE 250-7325G

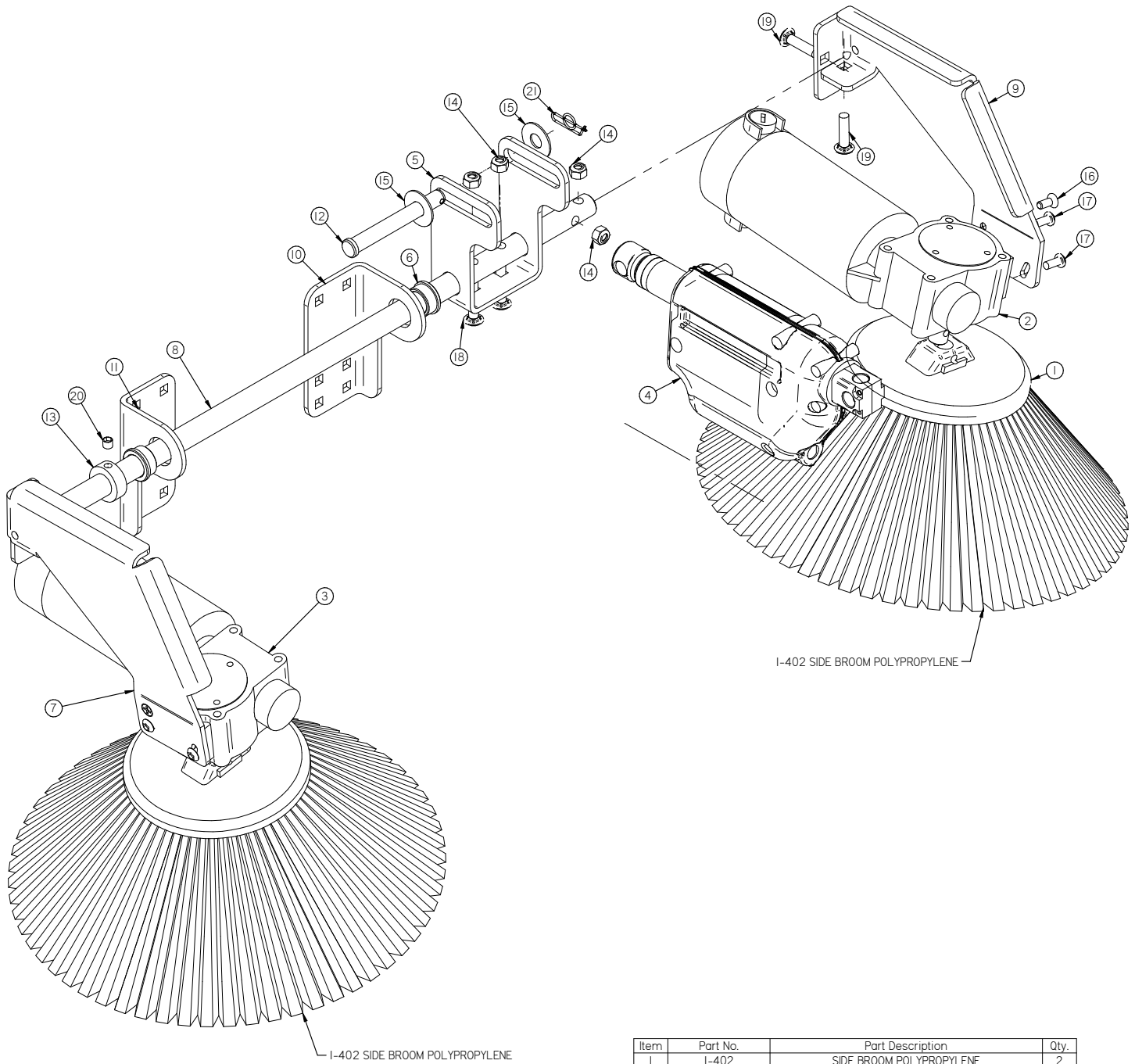
To order Brake separately use
Part# 250-7323

Front Wheel, Side Brooms, and Side Rollers

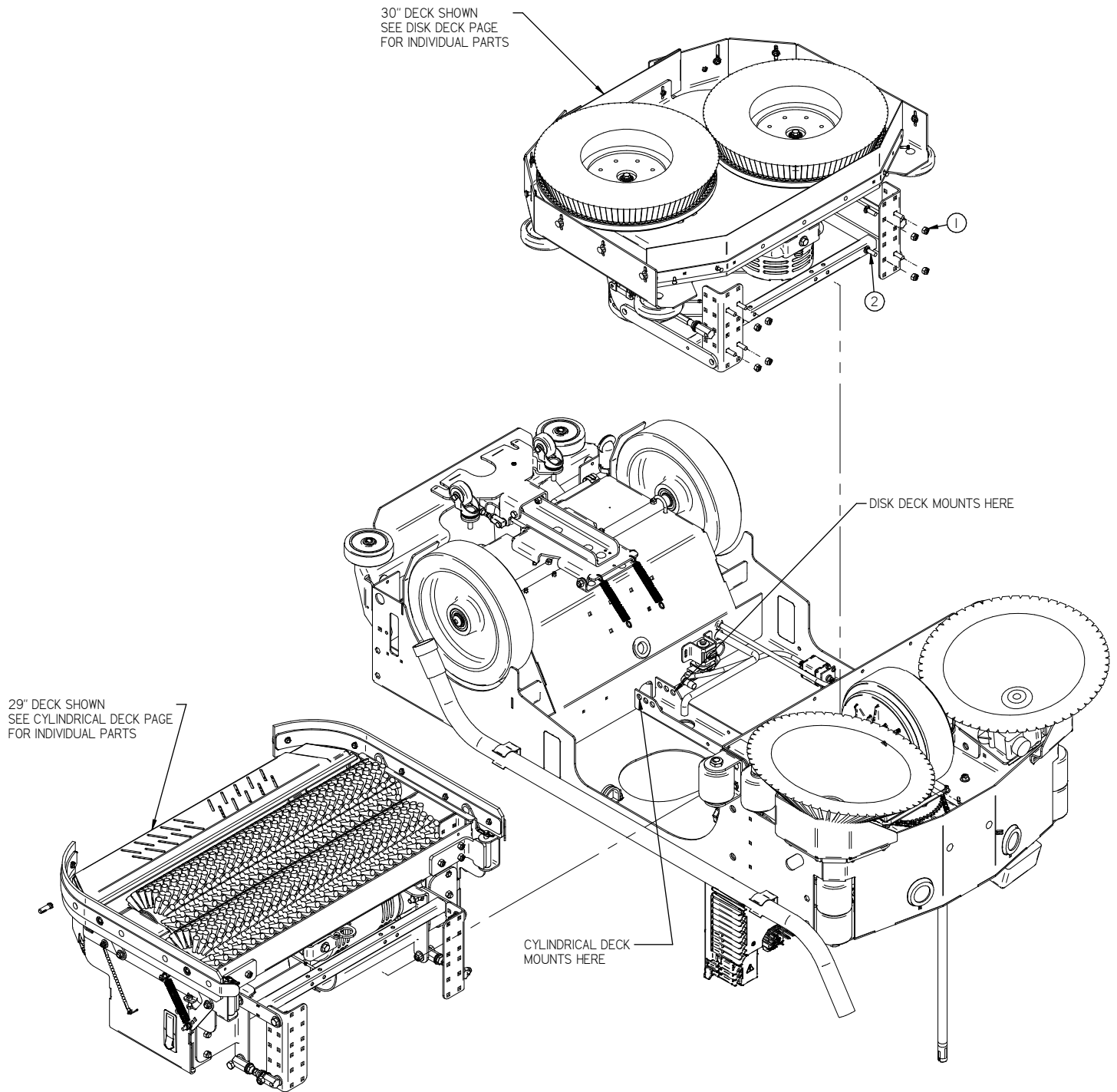


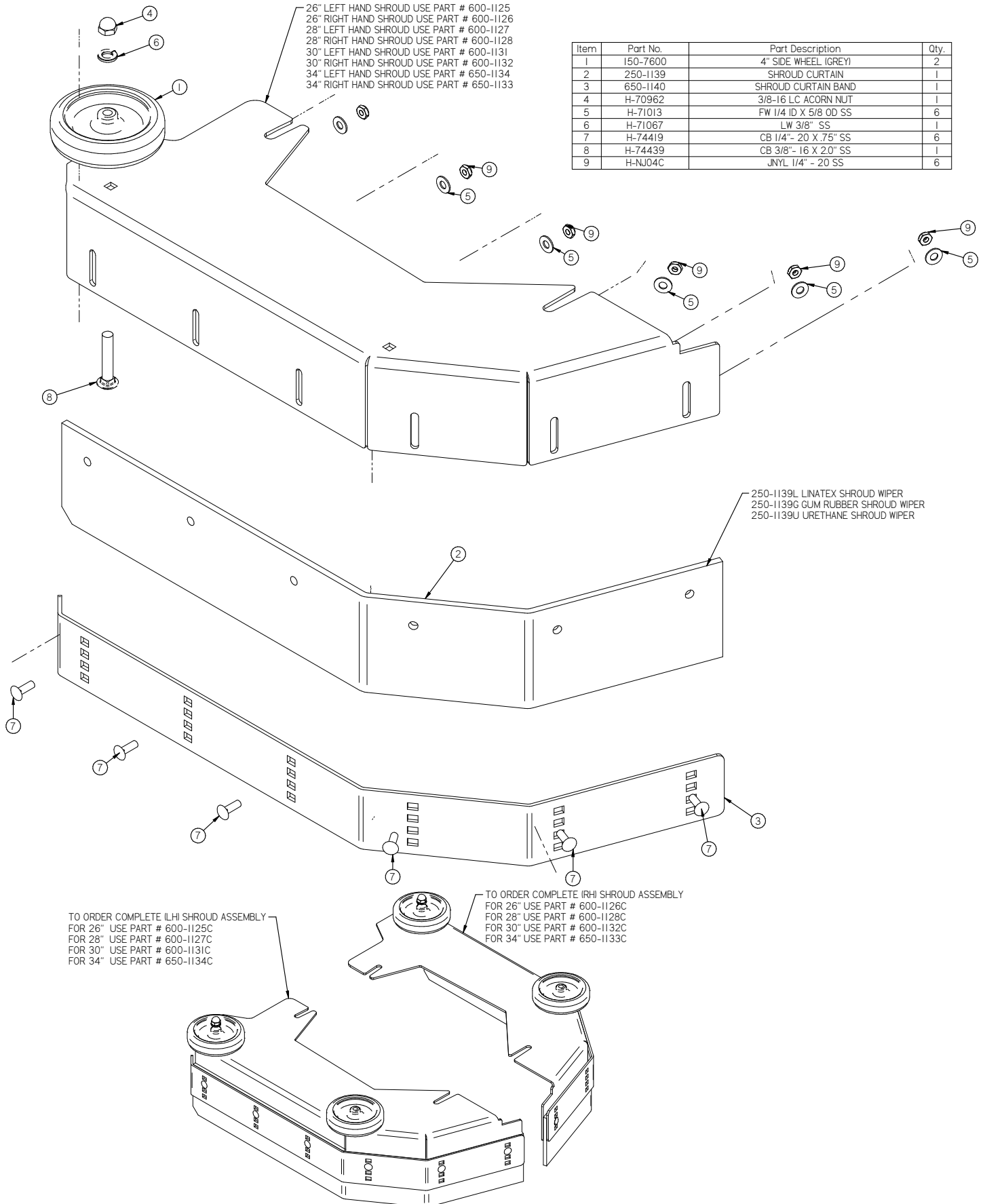
Front Wheel, Side Brooms, and Side Rollers

Item	Part No.	Part Description	Qty.
1	I50-1006	LIFTING BRACKET	1
2	2I-1126	ROLLER BRACKET	2
3	2I-1127	ROLLER	8
4	4-457	ADJUSTMENT KNOB	2
5	500-1028	LOWER ROLLER BRACKET	2
6	500-2910	HEAD LIGHT	2
7	600-1100	MAIN FRAME	1
8	H-00918	HCN 1/4"-20 LG	7
9	H-01205	SHCS 5/16-18 X 2-1/2 SS	2
10	H-0127294	3/4" LOOP CLAMP	1
11	H-0129159	JNYL, 1/2"-13, 18-8 SS	1
12	H-11319	HB 5/8"- 11 X 4"	2
13	H-11321	HB 5/8"- 11 X 4 1/2"	2
14	H-13327	HB 5/8"- 11 X 7"	2
15	H-312HCN	HCN 5/16"-18	2
16	H-3225T	1-1/2" LOOP CLAMP	1
17	H-37038	JNYL 5/8"- 11	2
18	H-70003	HCS 1/4"-20 X 3/4" SS	8
19	H-70211	HCS 1/2"-13 X 2.0" SS	1
20	H-70711	HN 5/16"- 18 SS	2
21	H-70860	NYLOK 1/4"- 20 SS	9
22	H-70861	NYLOK 5/16" - 18 SS	7
23	H-70866	NYL 5/8"- 11	3
24	H-70925	KN 1/4-20 S/S	2
25	H-71013	FW 1/4 ID X 5/8 OD SS	7
26	H-71015	FW 5/16 ID X 3/4 OD SS	5
27	H-71063	LW 1/4" SS	7
28	H-71065	LW 5/16" SS	9
29	H-72708	FHP 1/4"- 20 X 3/4"	4
30	H-72710	FHP 1/4"- 20 X 1" SS	1
31	H-74419	CB 1/4"- 20 X .75" SS	5
32	H-74420	CB 1/4"- 20 X 1.0" SS	1
33	H-74430	CB 5/16"- 18 X 1" SS	9
34	M-9267K47	15/16" HEX CAP	2



Item	Part No.	Part Description	Qty.
1	I-402	SIDE BROOM POLYPROPYLENE	2
2	250-0222	ILHI SIDE BROOM MOTOR, 36V 106 RPM (44:1)	1
3	250-0223	IRHI SIDE BROOM MOTOR, 36V 106 RPM (44:1)	1
4	250-2240	2" STROKE 36V ACTUATOR 450 LB LOAD	1
5	370-4422	SIDE BROOM PIVOT	1
6	4-4230	3/4" X 1" X 1/2" FLG BEARING	2
7	600-4420	IRHI GTX SIDE BROOM LIFT ARM	1
8	600-4620	SIDE BROOM AXLE SHAFT	1
9	650-4421	ILHI SIDE BROOM LIFT ARM	1
10	650-4630	SIDE BROOM AXLE BRACKET ILHI	1
11	650-4631	SIDE BROOM AXLE BRACKET IRHI	1
12	H-0156777	1/2" X 4" CLEVIS PIN	1
13	H-33376	SHAFT COLLAR, 3/4" ID X 9/16 LG	2
14	H-70861	NYLOK 5/16" - 18 SS	6
15	H-71021	FW 1/2 ID X 1-1/4 OD SS	2
16	H-72706	FHP 1/4" - 20 X 5/8" SS	2
17	H-73753	BHSCS 1/4 - 20 X 5/8" SS	4
18	H-74401	CB 5/16" - 18 X 1-3/4" SS	2
19	H-74431	CB 5/16" - 18 X 1-1/4" SS	4
20	H-81983	5/16" X 1/4" KURL SET SCREW	2
21	H-RUE22	1/2" RUE RING COTTER	1

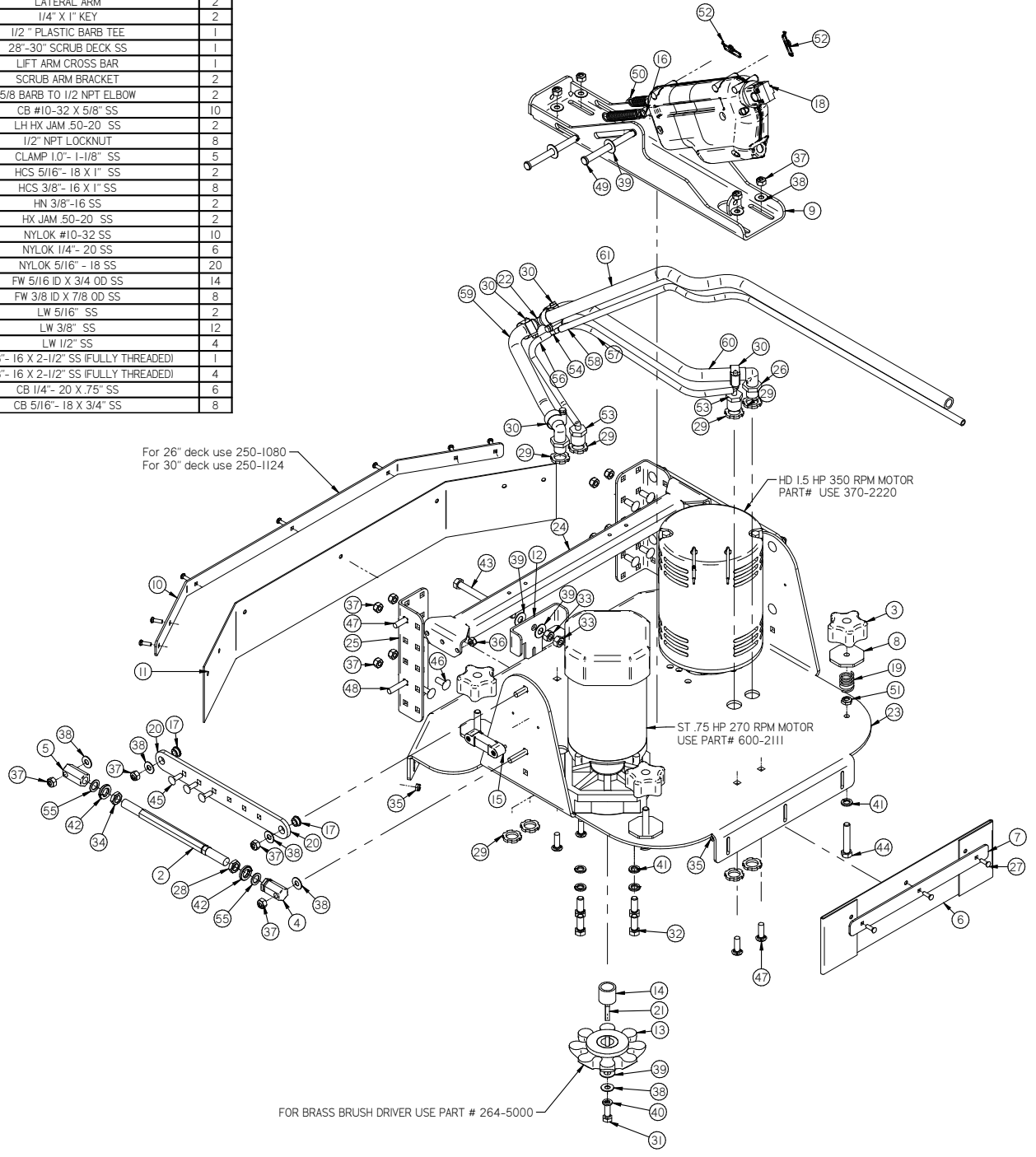




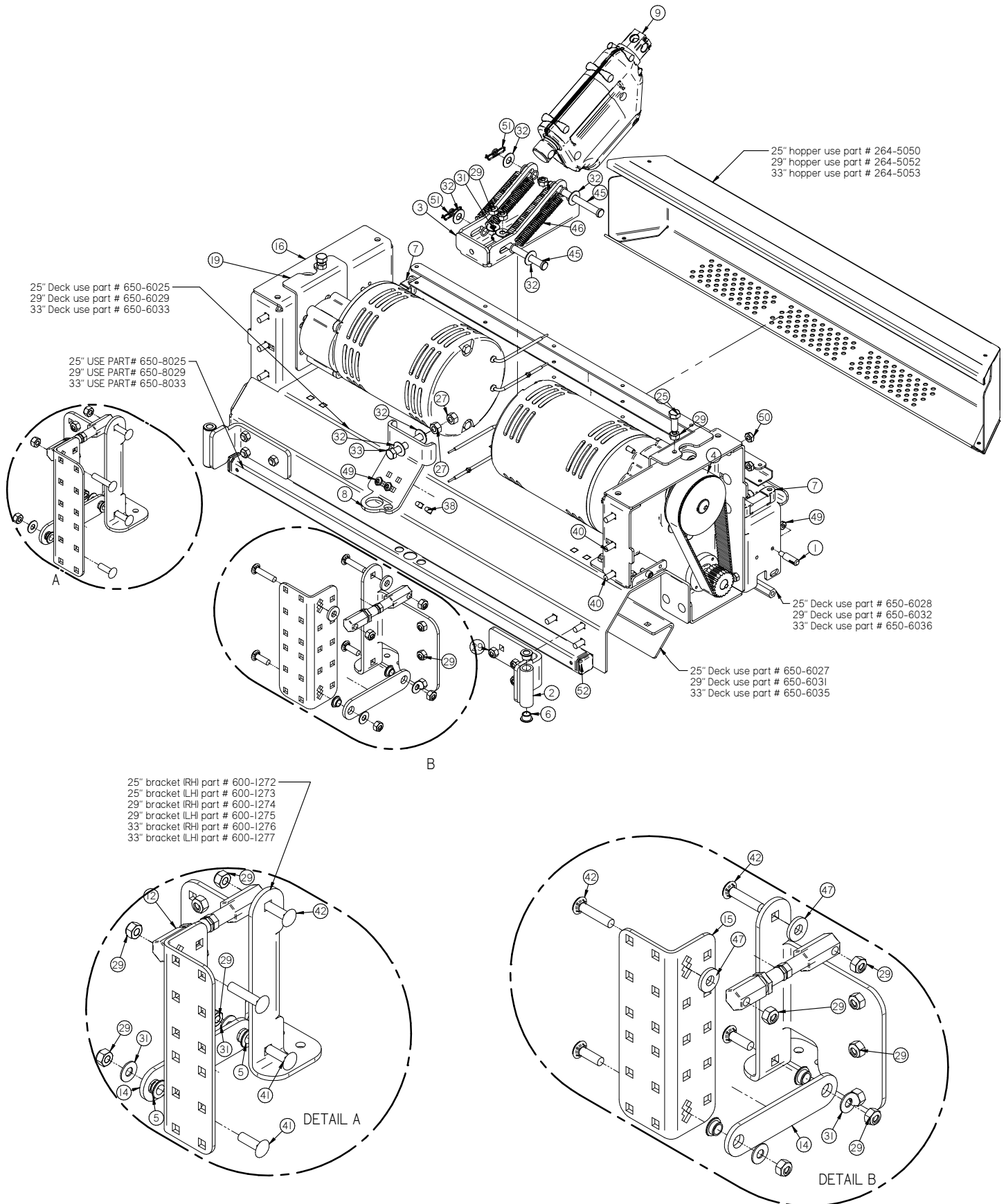
Disk Decks

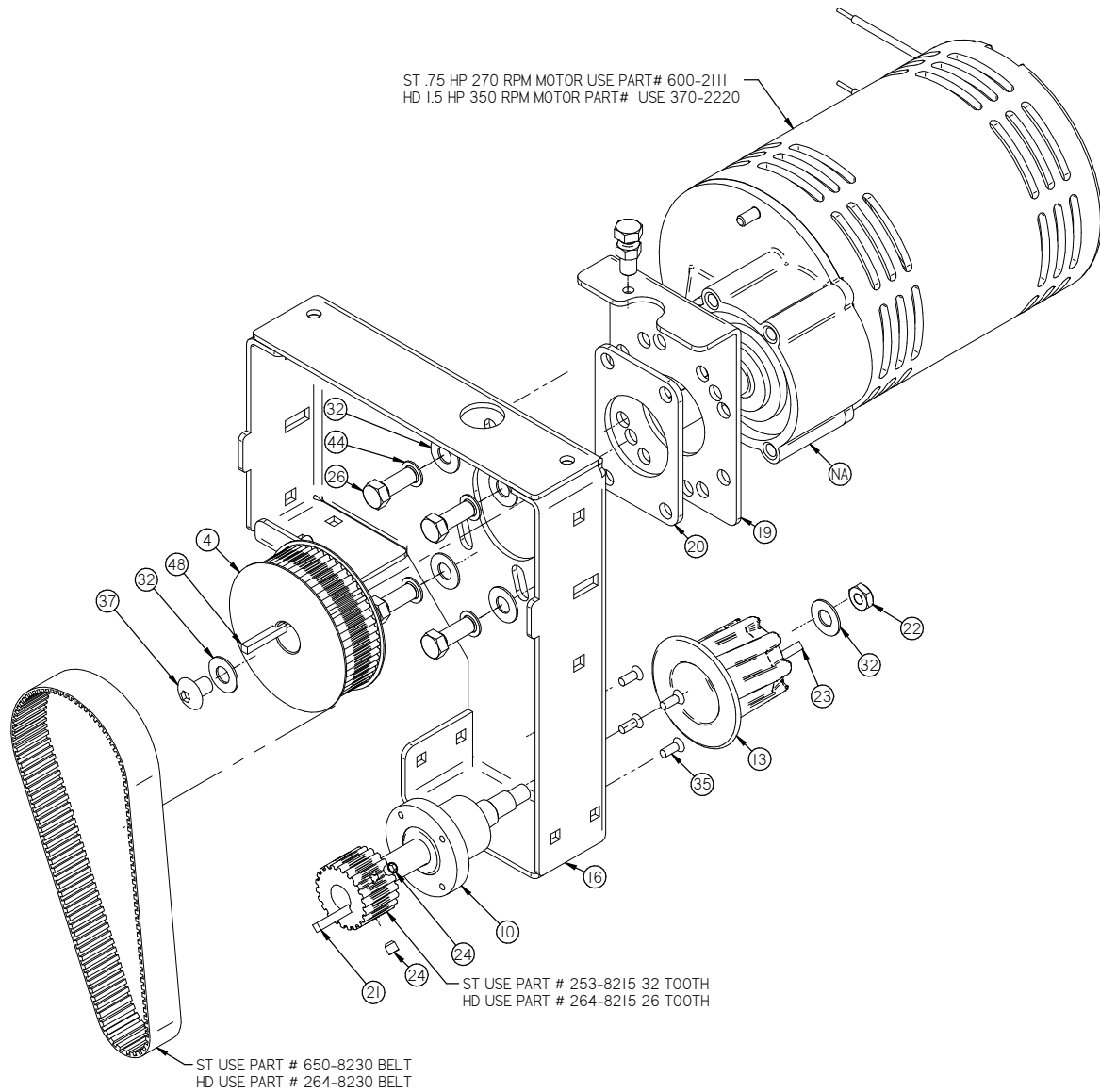
Item	Part No.	Part Description	Qty.
1*		ACTUATOR SLIDE ^{asm}	1
2	10-00-01	10" ADJUSTABLE LATERAL ARM BODY	2
3	150-5786	STAR KNOB, 3/8-16 THREAD	4
4	150-9583	ADJUSTABLE ROD END (LH THREAD)	2
5	150-9584	ADJUSTABLE ROD END (RH TREAD)	2
6	250-1078	26/30 REAR CURTAIN	1
7	250-1081	26/30 REAR CURTAIN BAND	1
8	250-1084	SHROUD ADJUSTMENT KNOB	4
9	250-1103	DISK SCRUB DECK BRACKET	1
10	250-1124	29" FRONT CURTAIN BAND	1
11	250-1164	25/29 FRONT DECK CURTAIN	1
12	250-4022	DISK DECK HEIGHT ADJUSTMENT	1
13	264-5003	BRUSH DRIVER ROUNDED TOOTH	2
14	264-5005	DRIVER SPACER	2
15	300-4030	LEVEL	2
16	370-1081	SLEEVE BEARING	1
17	370-1247	BUSHING 5/16 X 1/2 X 3/16	4
18	370-2210	4" STROKE 36V ACTUATOR 450 LB LOAD	1
19	4-386	LIFT LEVER SPRING	4
20	5-124	LATERAL ARM	2
21	5-431	1/4" X 1" KEY	2
22	5-446	1/2" PLASTIC BARB TEE	1
23	600-4021	28"-30" SCRUB DECK SS	1
24	600-9685	LIFT ARM CROSS BAR	1
25	650-1265	SCRUB ARM BRACKET	2
26	7-248	5/8 BARB TO 1/2 NPT ELBOW	2
27	H-0172519	CB #10-32 X 5/8" SS	10
28	H-0175075	LH HX JAM. 50-20 SS	2
29	H-07005	1/2" NPT LOCKNUT	8
30	H-081	CLAMP 1.0" - 1-1/8" SS	5
31	H-70055	HCS 5/16" - 18 X 1" SS	2
32	H-70105	HCS 3/8" - 16 X 1" SS	8
33	H-70712	HN 3/8"-16 SS	2
34	H-70834	HX JAM. 50-20 SS	2
35	H-70858	NYLOK #10-32 SS	10
36	H-70860	NYLOK 1/4" - 20 SS	6
37	H-70861	NYLOK 5/16" - 18 SS	20
38	H-71015	FW 5/16 ID X 3/4 OD SS	14
39	H-71017	FW 3/8 ID X 7/8 OD SS	8
40	H-71065	LW 5/16" SS	2
41	H-71067	LW 3/8" SS	12
42	H-71071	LW 1/2" SS	4
43	H-71190	HCS 3/8" - 16 X 2-1/2" SS (FULLY THREADED)	1
44	H-71190	HCS 3/8" - 16 X 2-1/2" SS (FULLY THREADED)	4
45	H-74419	CB 1/4" - 20 X .75" SS	6
46	H-74429	CB 5/16" - 18 X 3/4" SS	8

47	H-74430	CB 5/16" - 18 X 1" SS	8
48	H-74432	CB 5/16" - 18 X 1-1/2" SS	4
49	H-923903	3/8" X 4" CLEVIS PIN	2
50	H-96544	SPRING, 4-1/8" LG X 9/16" OD (42E)	2
51	H-NJ06C	JNYL 3/8-16 SS	4
52	H-RUE14	3/8" RUE RING COTTER	2
53	M-5463K494	1/2 NPT X 1/4" BARB ELBOW	2
54	M-5463K606	1/4" X 1/4" PLASTIC BARBED TEE	1
55	M-98126A739	SHIM, 1/2" ID X 3/4" OD X 1/16" THICK, S/S	4
56	T-025B6000	BULK 1/4" ID X 5' BLUE ZERO HOSE	1
57	T-025B6000	BULK 1/4" ID X 5' BLUE ZERO HOSE	1
58	T-025B6000	BULK 1/4" ID X 5' BLUE ZERO HOSE	1
59	T-050R6000	BULK 1/2" ID X 5' WIRE REINFORCED SOLUTION HOSE	1



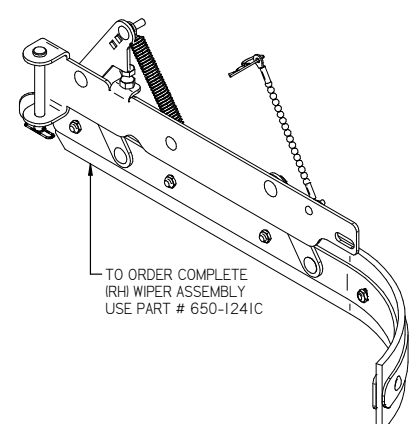
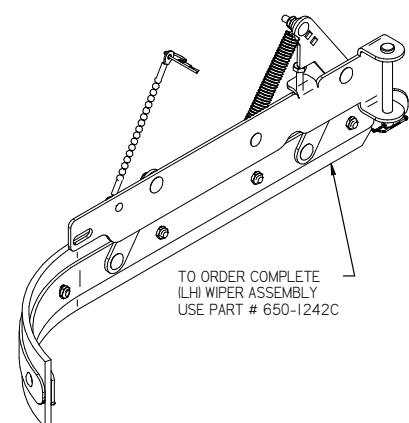
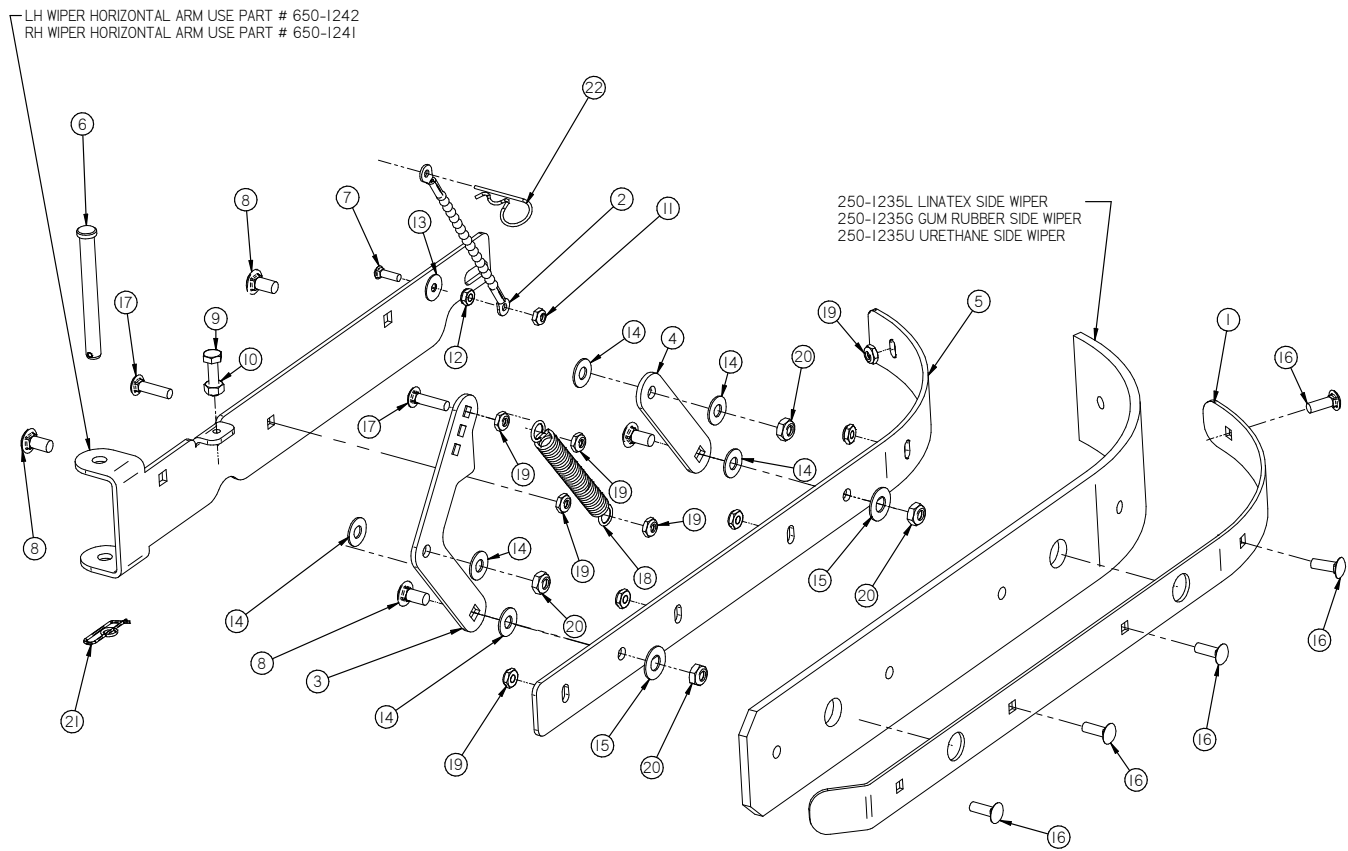
Cylindrical Decks



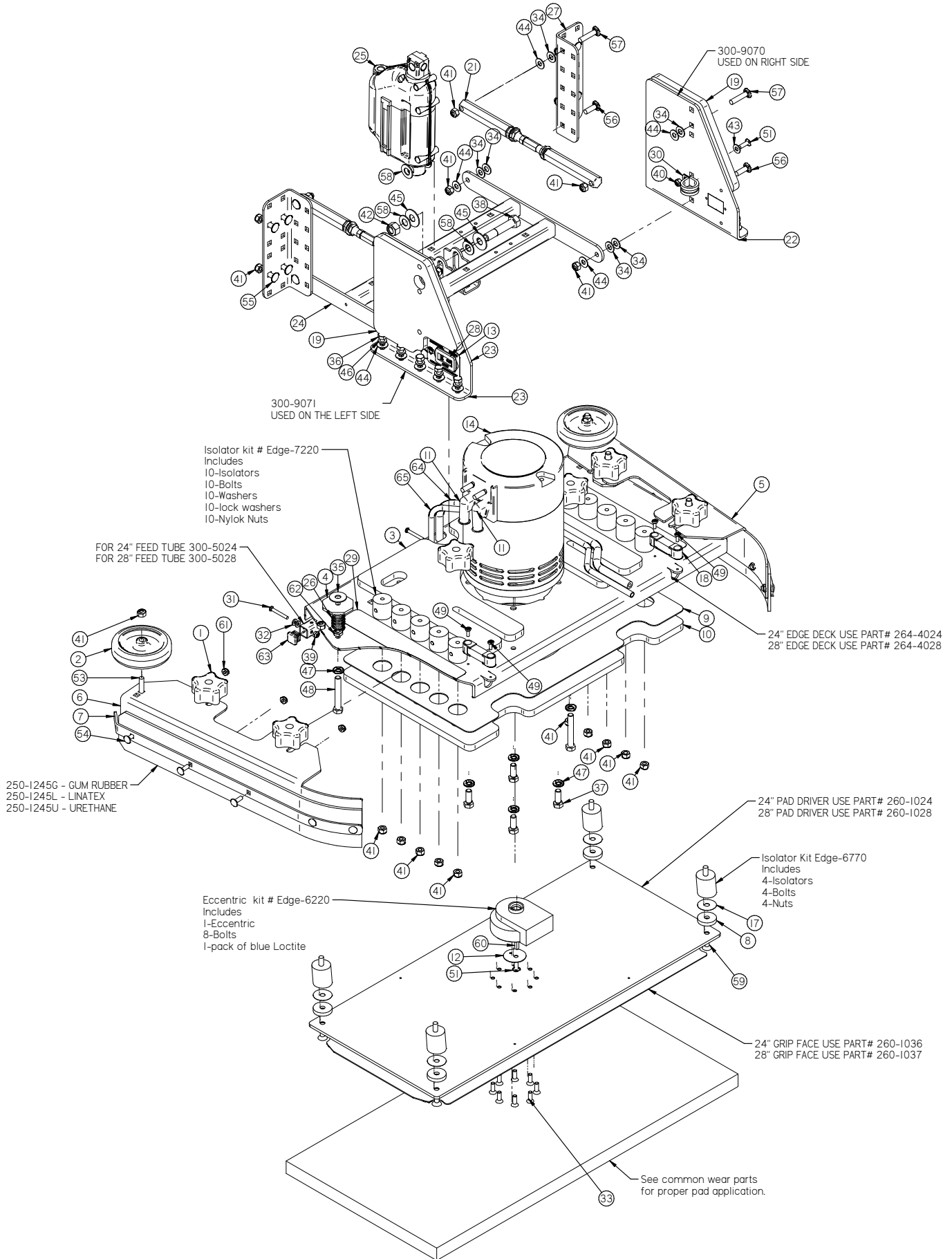


Item	Part No.	Part Description	Qty.	Item	Part No.	Part Description	Qty.
1	250-0001	RETAINER PIN	2	27	H-70712	HN 3/8"-16 SS	2
2	250-1230	SHROUD HINGE	2	28	H-70860	NYLOK 1/4" - 20 SS	18
3	250-9003	CYLINDRICAL LIFTING BRACKET	1	29	H-70861	NYLOK 5/16" - 18 SS	28
4	264-8225	TIMING SPROCKET 56 TOOTH	2	30	H-70923	KN #10-32 SS	2
5	290-1233	3/8" ID, 1/2" OD, 1/4" LG BEARING	4	31	H-71015	FW 5/16 ID X 3/4 OD SS	14
6	290-1245	3/8" ID, 1/2" OD, 3/8" LG, FLANGE BEARING	4	32	H-71017	FW 3/8 ID X 7/8 OD SS	18
7	300-4030	LEVEL	2	33	H-71190	HCS 3/8"- 16 X 2-1/2" SS (FULLY THREADED)	1
8	370-1237	SOLUTION FEED BRACKET	1	34	H-72554	PPH #10-32 X 1-1/2"	2
9	370-2240	2" STROKE 36V ACTUATOR 450 LB LOAD	1	35	H-72682	FHP #10-32 X 1/2" SS	8
10	370-8240A	BEARING HOUSING/BEARING	2	36	H-73459	SHCS 1/4"-20 X 1/2" SS	3
11	370-8373	CYLINDRICAL DRIVER SEAL	1	37	H-73811	BHSCS 3/8"- 16 X 1/2" SS	2
12	4-25	6.25" ADJUSTABLE LATERAL ARM	2	38	H-74417	CB 1/4"- 20 X .5" SS	2
13	600-8372	CYLINDRICAL DRIVER (BRASS)	2	39	H-74418	CB 1/4"- 20 X 5/8" S/S	18
14	600-9585	CYL. LATERAL ARM	2	40	H-74429	CB 5/16"- 18 X 3/4" SS	20
15	650-1265	SCRUB ARM BRACKET	2	41	H-74430	CB 5/16"- 18 X 1" SS	4
16	650-6021	SIDE SUPPORT (HD) (SS)	2	42	H-74432	CB 5/16"- 18 X 1-1/2" SS	4
17	650-8223	HOPPER CURTAIN BAND	1	43	H-744??	CB 5/16"- 18 X 1/2" SS	6
18	650-8322	HOPPER CURTAIN	1	44	H-90895	WASHER, SERRATED BELLEVILLE, 3/8", S/S	8
19	650-9002	MOTOR ADJ BRACKET	2	45	H-923903	3/8" X 4" CLEVIS PIN	2
20	650-9004	MOTOR SPACER	2	46	H-96544	SPRING, 4-1/8" LG, 9/16 OD, (42E)	4
21	H-01125	3/16" X 1" KEY	2	47	H-98025	FW 3/8" GRADE 8	4
22	H-0171004	JNYL 3/8"- 24 SS	2	48	H-K14320	3/16" X 1 1/4" KEY	2
23	H-0953152	3/16" X 3/4" KEY	2	49	H-NJ04C	JNYL 1/4" - 20 SS	4
24	H-25379	SETScrew, KCP, 1/4"-20 X 1/4"	8	50	H-NJ05C	JNYL 5/16"- 18 SS	6
25	H-70055	HB 5/16"- 18 X 1" SS	2	51	H-RUE14	3/8" RUE RING COTTER	2
26	H-70105	HCS 3/8"- 16 X 1" SS	8	52	M-9565K51	1.0 X 1.0 SQ TUBE PLUG	2

Cylindrical Wipers

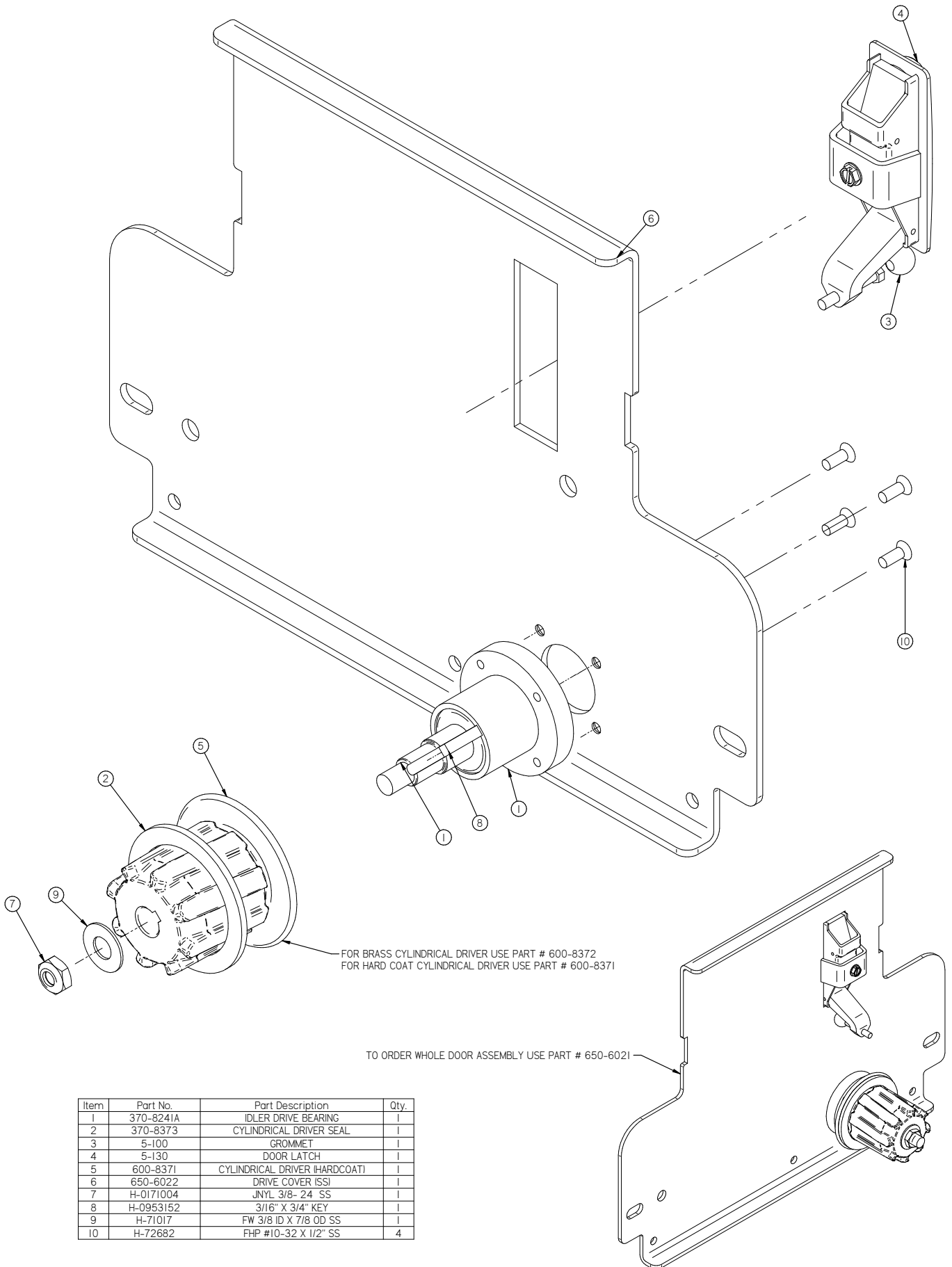


Item	Part No.	Part Description	Qty.
1	250-1236	WIPER BAND	1
2	370-4060	6" LANYARD	1
3	650-1243	SHROUD VERTICAL ARM	1
4	650-1244	WIPER VERTICAL ARM	1
5	650-1245	SHROUD SIDE	1
6	H-0156758	3/8" X 3-1/2" CLEVIS PIN	1
7	H-0172519	CB #10-32 X 5/8" SS	1
8	H-0172526	CB 5/16"- 18 X 5/8" SS	4
9	H-70005	HCS 1/4"- 20 X 1" SS	1
10	H-70710	HN 1/4"- 20 SS	1
11	H-70858	NYLOK #10-32 SS	1
12	H-70923	KN #10-32 SS	1
13	H-71010	FW #10 ID X 11/16 OD SS	1
14	H-71015	FW 5/16 ID X 3/4 OD SS	6
15	H-71017	FW 3/8 ID X 7/8 OD SS	2
16	H-74419	CB 1/4"- 20 X .75" SS	5
17	H-74420	CB 1/4"- 20 X 1.0" SS	2
18	H-96544	SPRING, 4-1/8" LG X 9/16" OD (42E)	1
19	H-NJ04C	JNYL 1/4" - 20 SS	9
20	H-NJ05C	JNYL 5/16"- 18 SS	4
21	H-RUE14	3/8" RUE RING COTTER	1
22	M-92391A044	HAIRPIN, 5/16" - 3/8" X 1-7/16" S/S	1



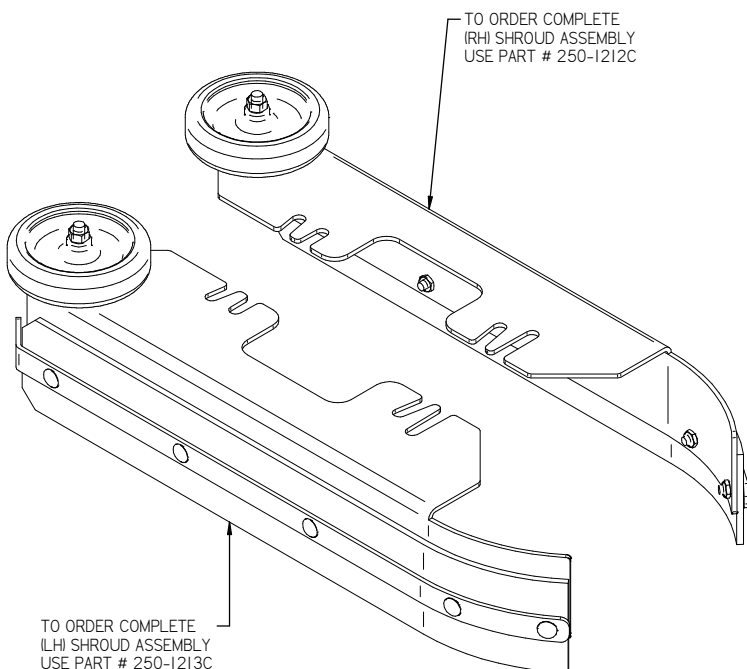
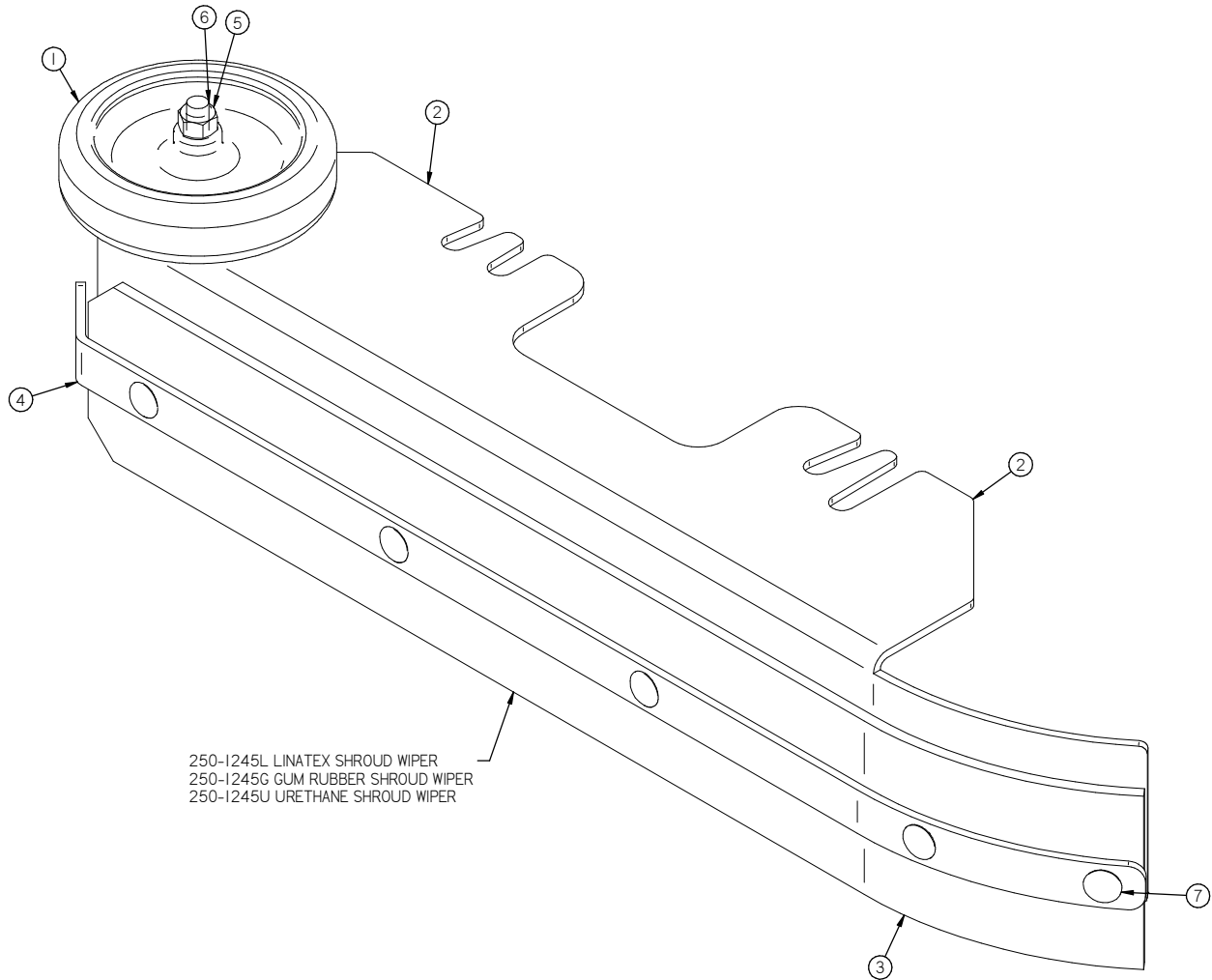
EDGE Decks

Item	Part No.	Part Description	Qty.
1	150-5786	STAR KNOB, 3/8-16 THREAD	6
2	150-7600	4" SIDE WHEEL (GREY)	2
3	175-4021	16.5 LBS WEIGHT	1
4	250-1184	SHROUD ADJ. KNOB (3/8-16 THREAD)	4
5	250-1212	SHROUD WIPER (RH)	1
6	250-1213	SHROUD WIPER (LH)	1
7	250-1246	EDGE WIPER BAND	2
8	264-1033	1/4" SPACER	4
9	264-4026	WEIGHT GASKET	1
10	264-4027	26 LB LOWER WEIGHT	1
11	290-2780	TERMINAL BOOT, BLACK	2
12	300-01030Z	CRUSH WASHER	2
13	300-2013	ISOLATOR STICKER	1
14	300-2600	36V,IHP,2700 RPM	1
15'	300-3032	1-1/4X1-1/2X5/16-18 (50D) ISOLATOR	4
16'	300-3033	1/4" SPACER	1
17	300-3035	ISOLATOR SHIELD	4
18	300-4030	LEVEL	2
19	300-4035	5LB WEIGHT	2
20'	300-6220	20" ECCENTRIC BEARING ASSEMBLY	1
21	300-8421	ADJUSTABLE LATERAL ARM	2
22	300-9070	(LH) DECK LIFTING BRACKET	1
23	300-9071	(RH) DECK LIFTING BRACKET	1
24	300-9587	LATERAL ARM	1
25	370-2240	2" STROKE 36V ACTUATOR 450 LB LOAD	1
26	4-386	LIFT LEVER SPRING	4
27	650-1265	SCRUB ARM BRACKET	2
28	8-262	HOUR METER	1
29	EDGE-7232	28" EDGE STICKER	2
30	H-0127296	1.0" LOOP CLAMP	1
31	H-0172523	CB #10-32 X 1-1/2" SS	3
32	H-11107629	FW #10 NYLON	6
33	H-29566	FHP 1/4" - 20 X 3/4" ZINK	8
34	H-4440024	FW 3/8" X 3/4" NYLON	12
35	H-4440040	.375 ID X 1.125 OD RUBBER WASHER	4
36	H-70051	HCS 5/16" - 18 X 1/2"	10
37	H-70105	HCS 3/8" - 16 X 1" SS	4
38	H-70213	HCS 1/2"-13 X 2-1/2" SS	1
39	H-70858	NYLOK #10-32 SS	3
40	H-70860	NYLOK 1/4" - 20 SS	1
41	H-70861	NYLOK 5/16" - 18 SS	32
42	H-70864	NYLOK 1/2"-13 SS	1
43	H-71013	FW 1/4 ID X 5/8 OD SS	1
44	H-71015	FW 5/16 ID X 3/4 OD SS	18
45	H-71021	FW 1/2 ID X 1-1/4 OD SS	2
46	H-71065	LW 5/16" SS	10
47	H-71067	LW 3/8" SS	10
48	H-71190	HCS 3/8"- 16 X 2-1/2" SS (FULLY THREADED)	6
49	H-72398	PPH #8-32 X 1/2" S/S	4
50'	H-72708	FHP 1/4" - 20 X 3/4"	8
51	H-73754	BHSCS 1/4 - 20 X 3/4" SS	3
52'	H-73907	FHSCS 5/16"- 18 X 3/4" SS	4
53	H-74401	CB 5/16" - 18 X 1-3/4" SS	2
54	H-74419	CB 1/4" - 20 X .75" SS	10
55	H-74429	CB 5/16" - 18 X 3/4" SS	8
56	H-74430	CB 5/16" - 18 X 1" SS	4
57	H-74432	CB 5/16" - 18 X 1-1/2" SS	4
58	H-76065	FW 1/2" NYLON	4
59	H-94254	FHSCS 5/16"- 18 X 3/4" ZINK	4
60	H-K14320	3/16" X 1 1/4" KEY	1
61	H-NJ04C	JNYL 1/4" - 20 SS	10
62	H-NJ06C	JNYL 3/8- 16 SS	4
63	M-9565K5	3/4 X 3/4 SQ TUBE PLUG	2
64	T-025C2300	SOLUTION HOSE	1
65	T-375C2300	ZERO HOSE	1

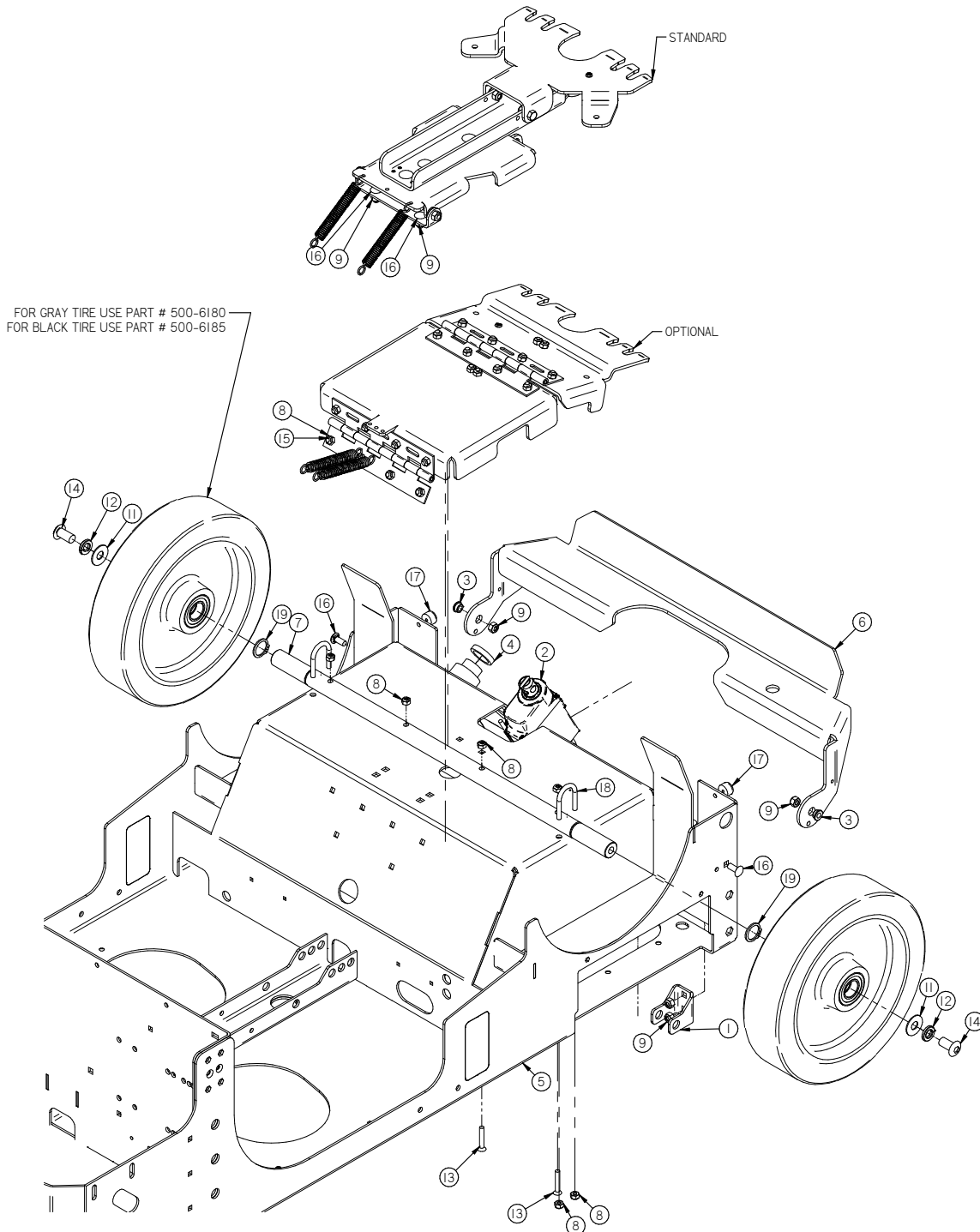


Item	Part No.	Part Description	Qty.
1	370-8241A	IDLER DRIVE BEARING	1
2	370-8373	CYLINDRICAL DRIVER SEAL	1
3	5-100	GROMMET	1
4	5-130	DOOR LATCH	1
5	600-8371	CYLINDRICAL DRIVER (HARDCOAT)	1
6	650-6022	DRIVE COVER (SSI)	1
7	H-0171004	JNYL 3/8- 24 SS	1
8	H-0953152	3/16" X 3/4" KEY	1
9	H-71017	FW 3/8 ID X 7/8 OD SS	1
10	H-72682	FHP #10-32 X 1/2" SS	4

EDGE Deck Wipers



Item	Part No.	Part Description	Qty.
1	150-7600	4" SIDE WHEEL (GREY)	1
2	250-1213	SHROUD WIPER (LHI)	1
3	250-1245	EDGE SHROUD WIPER	1
4	250-1246	EDGE WIPER BAND	1
5	H-70861	NYLOK 5/16" - 18 SS	1
6	H-74401	CB 5/16" - 18 X 1-3/4" SS	1
7	H-74419	CB 1/4" - 20 X .75" SS	5
8*	H-NJ04C	JNYL 1/4" - 20 SS	5

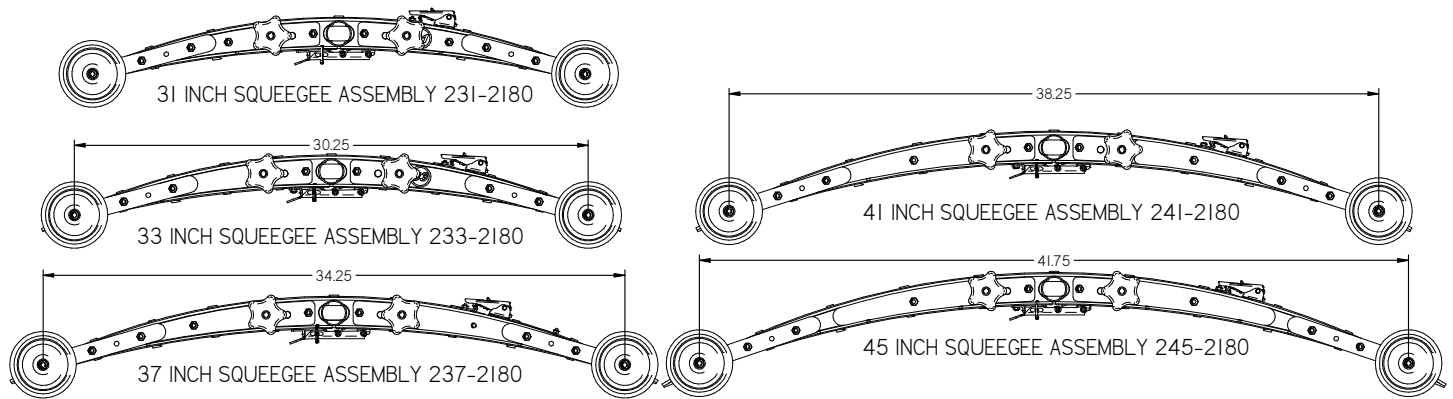
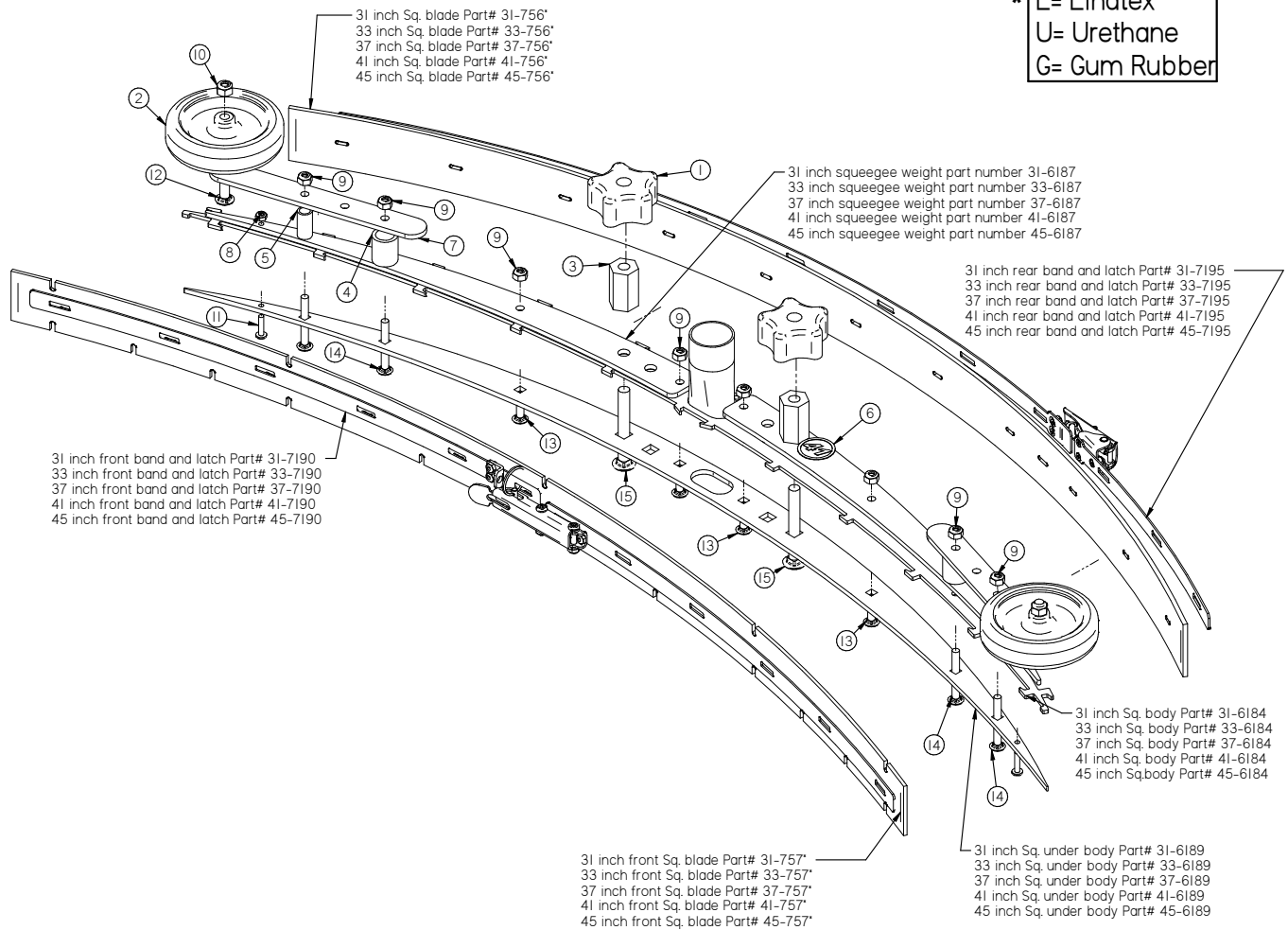


Item	Part No.	Part Description	Qty.
1	150-1006	LIFTING BRACKET	1
2	260-2240	2 INCH STROKE ACTUATOR (24V)	1
3	370-1247	BUSHING 5/16 X 1/2 X 3/16	2
4	370-2930	ALARM (91 dPa)	1
5	600-1100	MAIN FRAME	1
6	600-1107	BUMPER/STEP	1
7	600-1271	AXLE	1
8	H-70860	NYLOK 1/4" - 20 SS	12
9	H-70861	NYLOK 5/16" - 18 SS	10
10	H-70862	NYLOK 3/8"-16 SS	2
11	H-71021	FW 1/2 ID X 1-1/4 OD SS	2
12	H-71071	LW 1/2" SS	2
13	H-72712	FHP 1/4" - 20 X 1-1/4" SS	3
14	H-73834	BHSCS 1/2 - 13 X 1" SS	2
15	H-74418	CB 1/4" - 20 X 5/8" S/S	4
16	H-74429	CB 5/16" - 18 X 3/4" SS	4
17	H-9540	RUBBER BUMPER 25/32"	2
18	M-3043T13	1/4-20 X 1.0" U-BOLT	2
19	M-98585A121	1 INCH EXTERNAL RETAINING RING	2

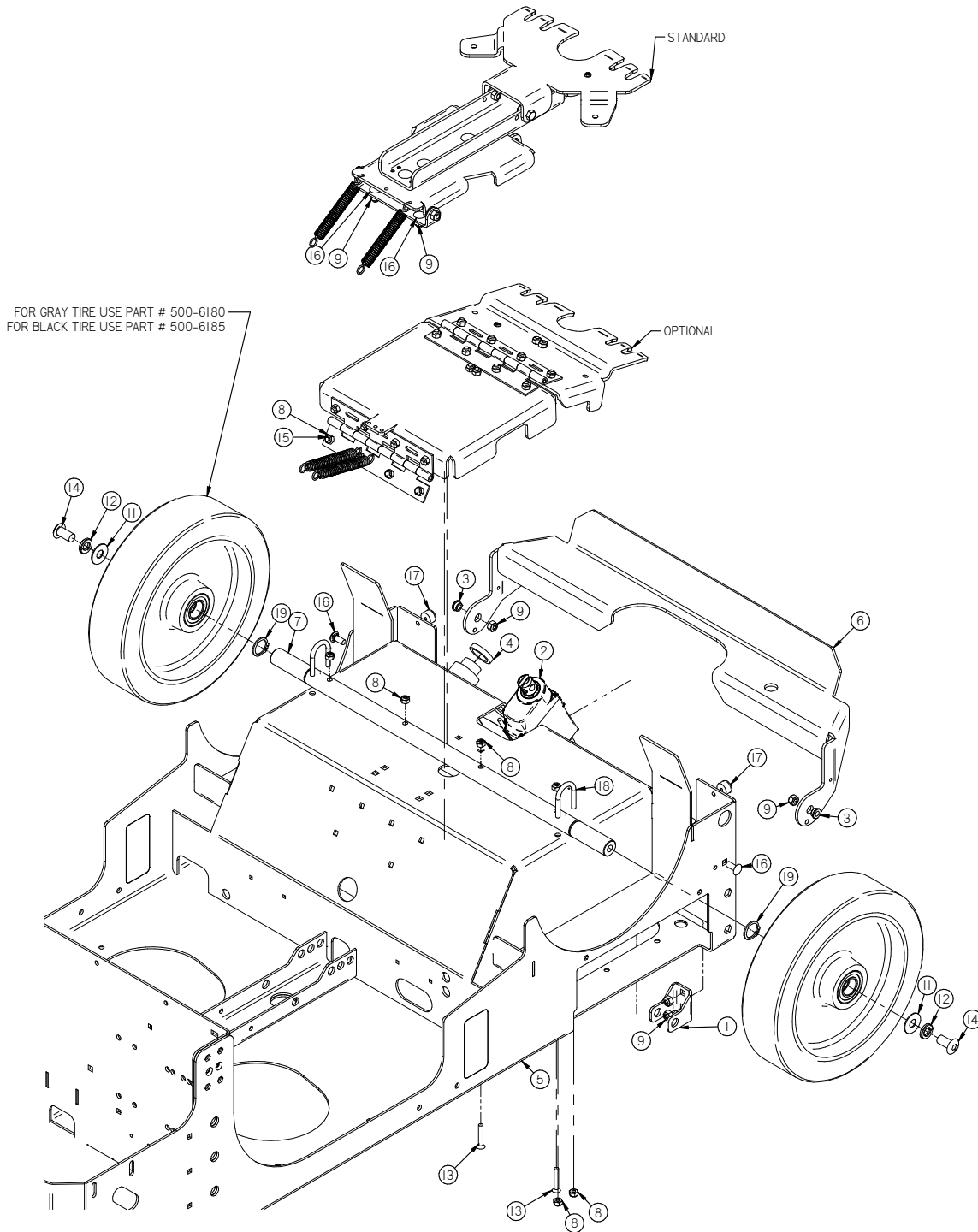
Squeegee Assembly

Item	Part No.	Part Description	Qty.
1	I50-5786	STAR KNOB, 3/8-16 THREAD	2
2	I50-7600	4" SIDE WHEEL (GREY)	2
3	33-8460	STANDOFF, 1.5"	2
4	37-0007	SQUEEGEE ROLLER SPACER	2
5	37-0008	SQUEEGEE ROLLER SPACER	2
6	41-1600	41 inch sticker	1
7	41-7183	SQUEEGEE ROLLER BRACKET	2
8	H-70856	NYLOK #8-32 SS	2
9	H-70860	NYLOK 1/4"- 20 SS	8
10	H-70861	NYLOK 5/16" - 18 SS	2
11	H-72416	PPH #8-32 X 3/4" S/S	2
12	H-74401	CB 5/16"- 18 X 1-3/4" SS	2
13	H-74420	CB 1/4"- 20 X 1.0" SS	4
14	H-74423	CB 1/4"- 20 X 2.0" SS	4
15	H-74441	CB 3/8"- 16 X 3.0" SS	2

* L= Linatex
 U= Urethane
 G= Gum Rubber

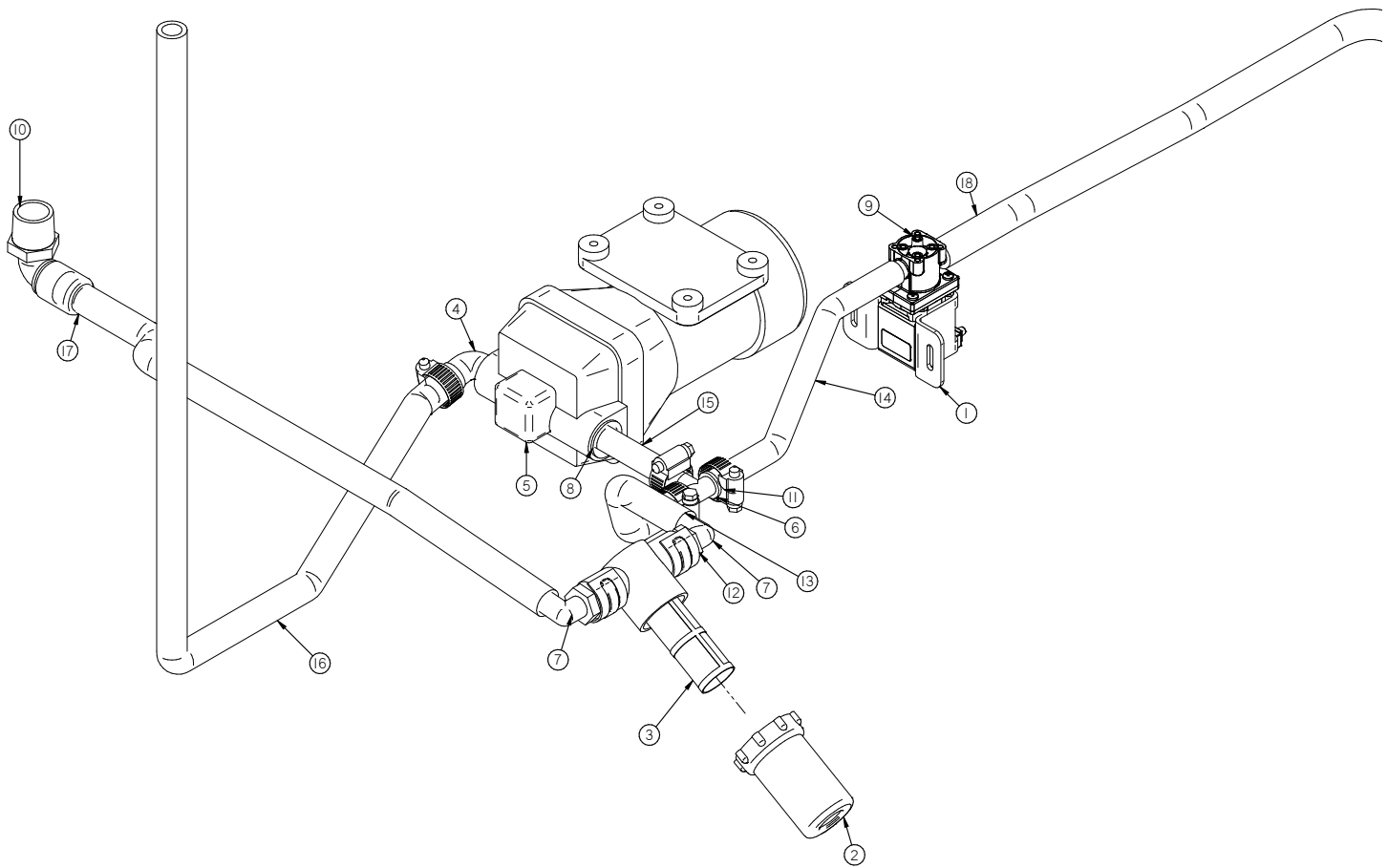


Attaching Squeegee Trail Arm, Bumper, & Axle

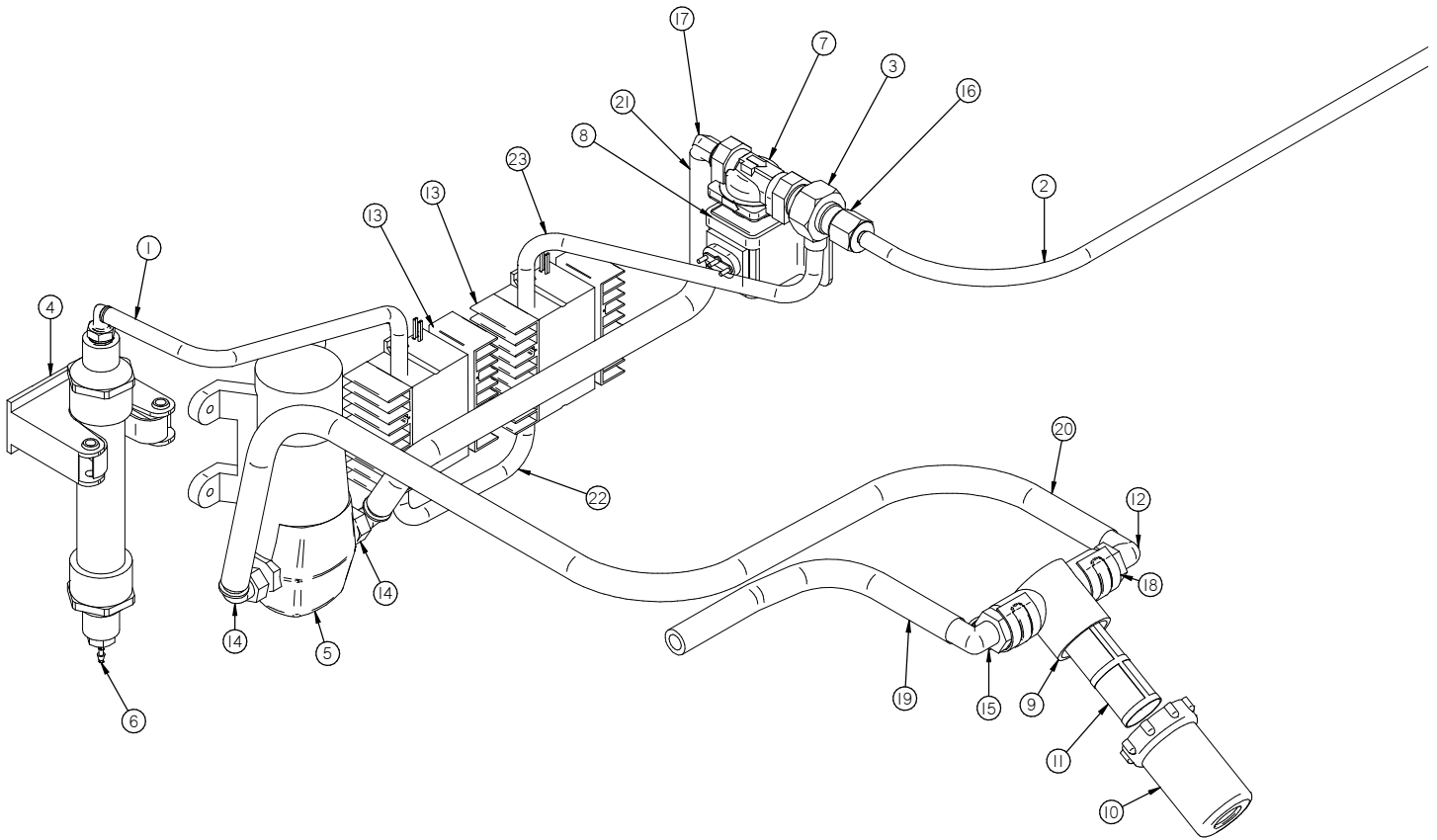


Item	Part No.	Part Description	Qty.
1	150-1006	LIFTING BRACKET	1
2	260-2240	2 INCH STROKE ACTUATOR (24V)	1
3	370-1247	BUSHING 5/16 X 1/2 X 3/16	2
4	370-2930	ALARM (91 dPa)	1
5	600-1100	MAIN FRAME	1
6	600-1107	BUMPER/STEP	1
7	600-1271	AXLE	1
8	H-70860	NYLOK 1/4" - 20 SS	12
9	H-70861	NYLOK 5/16" - 18 SS	10
10	H-70862	NYLOK 3/8"-16 SS	2
11	H-71021	FW 1/2 ID X 1-1/4 OD SS	2
12	H-71071	LW 1/2" SS	2
13	H-72712	FHP 1/4" - 20 X 1-1/4" SS	3
14	H-73834	BHSCS 1/2 - 13 X 1" SS	2
15	H-74418	CB 1/4" - 20 X 5/8" S/S	4
16	H-74429	CB 5/16" - 18 X 3/4" SS	4
17	H-9540	RUBBER BUMPER 25/32"	2
18	M-3043T13	1/4-20 X 1.0" U-BOLT	2
19	M-98585A121	1 INCH EXTERNAL RETAINING RING	2

Solution System



Item	Part No.	Part Description	Qty.
1	150-5280	VALVE BRACKET	1
2	175-9130	INLINE FILTER	1
3	175-9130S	Black Filter Screen (40 mesh)	1
4	21-1601	1/2" BARBED ELBOW (PLASTIC)	1
5	430-8910	PUMP, WATER JET, 36V	1
6	5-446	1/2 " PLASTIC BARB TEE	1
7	5-447	1/2 NPT X 1/2" BARB ELBOW	2
8	5-891B	1/2" SPRAY JET BARB	1
9	650-4500	36V VALVE	1
10	H-04907	3/4" NPT TO 3/4" BARBED ELBOW	1
11	H-081	CLAMP 7/16"- 25/32" SS	4
12	M-9434T22	1.0 DIA One Hole Tube Clamp	2
13	T-050R6000	BULK 1/2" ID X 5' WIRE REINFORCED SOLUTION HOSE	1
14	T-050R6000	BULK 1/2" ID X 5' WIRE REINFORCED SOLUTION HOSE	1
15	T-050R6000	BULK 1/2" ID X 5' WIRE REINFORCED SOLUTION HOSE	1
16	T-050R6000	BULK 1/2" ID X 5' WIRE REINFORCED SOLUTION HOSE	1
17	T-050R6000	BULK 1/2" ID X 5' WIRE REINFORCED SOLUTION HOSE	1
18	T-050R6000	BULK 1/2" ID X 5' WIRE REINFORCED SOLUTION HOSE	1

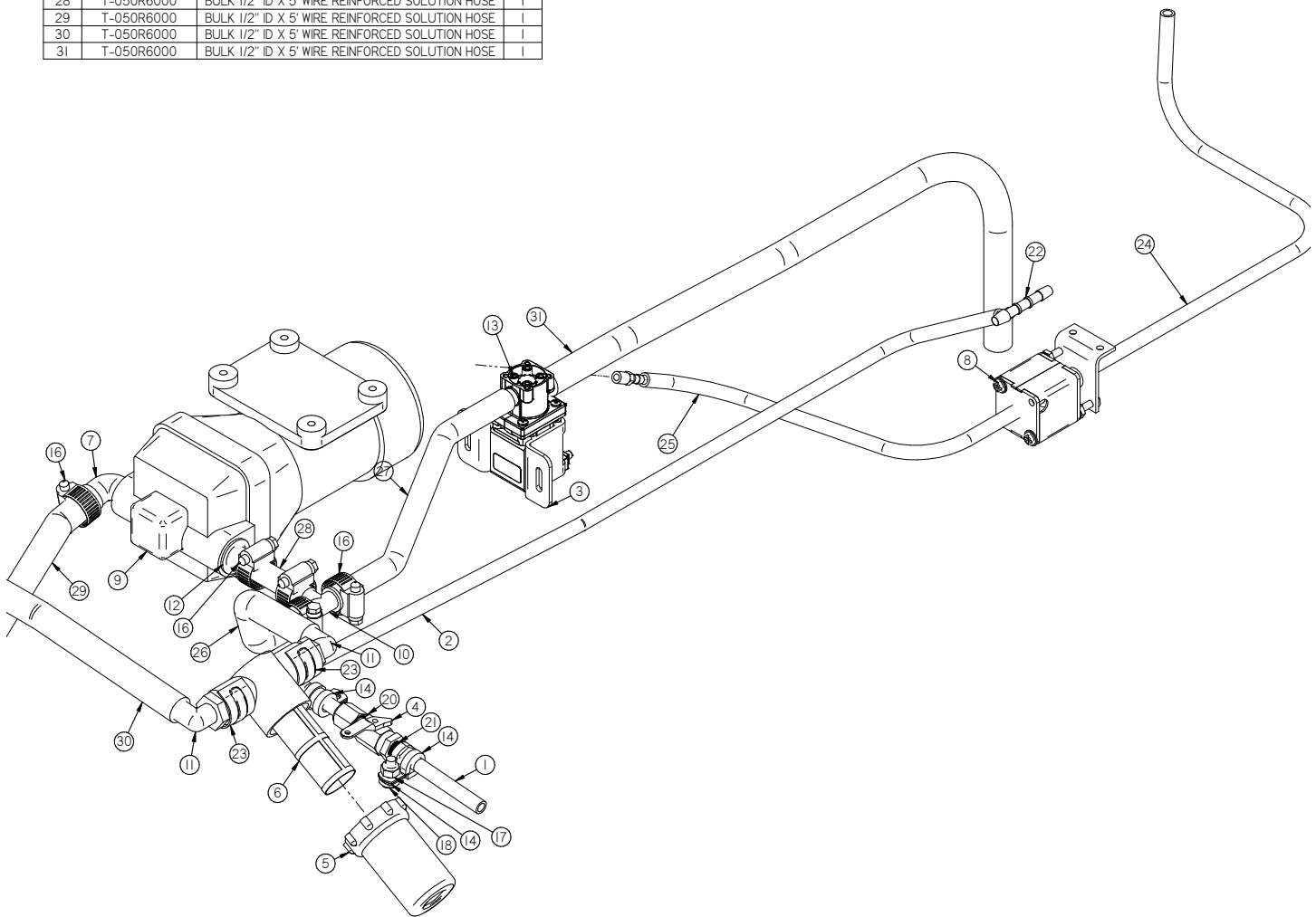


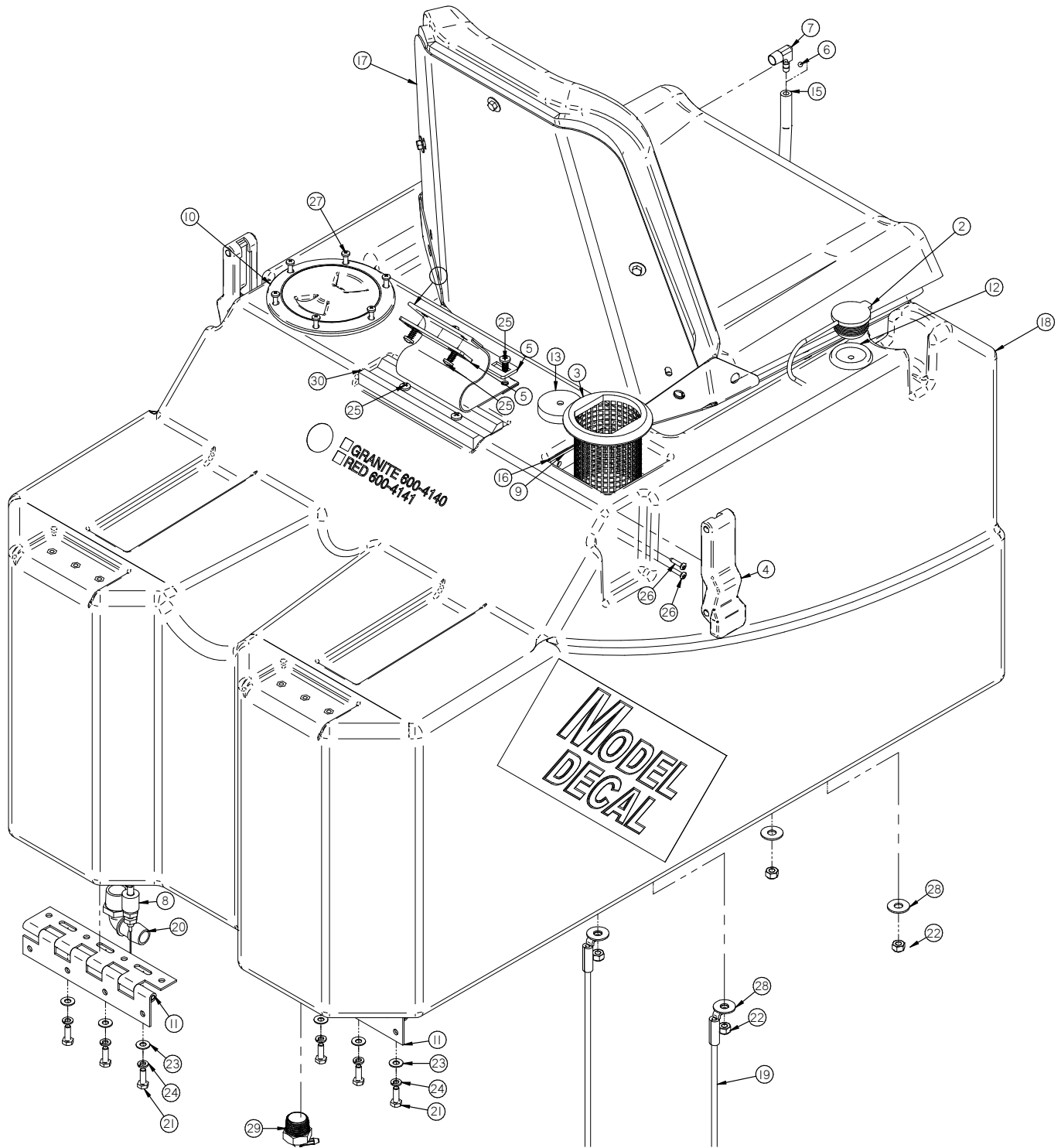
Item	Part No.	Part Description	Qty.
1		BULK 1/4" ID X 5' BLUE ZERO HOSE	1
2			1
3	123-8510	RED INJECTOR	1
4	123-8860	HOSE BRACKET HOLDER	1
5	123-8910	PUMP WATER JET	1
6	123-9134	AIR DRYER	1
7	123-9500	36V VALVE	1
8	150-5280	VALVE BRACKET	1
9	175-9130-01	Filter Housing	1
10	175-9130-03	Filter Cap	1
11	175-9135S	Blue Filter Screen (50 mesh)	1
12	5-447	1/2 NPT X 1/2" BARB ELBOW	2
13	650-2334	CORONA GENERATOR	2
14	H-04763	ELBOW, 90 DEG X 3/8" MNPT X 1/2" BARB, NYLON	2
15	H-74418	CB 1/4"- 20 X 5/8" S/S	1
16	M-5346K52	.375 NPT X .25 BRASS BARBED HOSE FITTING	1
17	M-53525K18	.375 NPT X 3/75 BRASS BARBED ELBOW	1
18	M-9434T22	1.0 DIA One Hole Tube Clamp	2
19	T-025B6000	BULK 1/4" ID X 5' BLUE ZERO HOSE	1
20	T-025B6000	BULK 1/4" ID X 5' BLUE ZERO HOSE	1
21	T-025B6000	BULK 1/4" ID X 5' BLUE ZERO HOSE	1
22	T-025CS6000	BULK 1/4" ID X 5' CLEAR SILCONE ZERO HOSE	1
23	T-025CS6000	BULK 1/4" ID X 5' CLEAR SILCONE ZERO HOSE	1

Suds System

Item	Part No.	Part Description	Qty.
1		SUDS DRAIN HOSE	1
2		GREEN DRAIN HOSE	1
3	150-5280	VALVE BRACKET	1
4	170-4158	1/4" NPT VALVE	1
5	175-9130	INLINE FILTER	1
6	175-9130S	Black Filter Screen (40 mesh)	1
7	21-1601	1/2" BARBED ELBOW (PLASTIC)	1
8	395-8500	SOAP PUMP, 36V	1
9	430-8910	PUMP, WATER JET, 36V	1
10	5-446	1/2" PLASTIC BARB TEE	1
11	5-447	1/2 NPT X 1/2" BARB ELBOW	2
12	5-891B	1/2" SPRAY JET BARB	1
13	650-4500	36V VALVE	1
14	H-0127292	5/8" LOOP CLAMP	2
15	H-04907	3/4" NPT TO 3/4" BARBED ELBOW	1
16	H-081	CLAMP 7/16" - 25/32" SS	5
17	H-70860	NYLON 1/4" - 20 SS	1
18	H-74419	CB 1/4" - 20 X .75" SS	1
19	M-2974K369	NYLON BARBED TUBE FITTING, 3/16 ID X 1/16" NPT	1
20	M-5346K51	.25 NPTF X .1875 BRASS BARBED HOSE FITTING	1
21	M-5463K445	.25 NPT X .25 BARB	1
22	M-5463K606	1/4" X 1/4" PLASTIC BARBED TEE	1
23	M-9434T22	1.0 DIA One Hole Tube Clamp	2
24	T-025C6000	BULK 1/4" ID X 5' CLEAR SUDS HOSE	1
25	T-025C6000	BULK 1/4" ID X 5' CLEAR SUDS HOSE	1
26	T-050R6000	BULK 1/2" ID X 5' WIRE REINFORCED SOLUTION HOSE	1
27	T-050R6000	BULK 1/2" ID X 5' WIRE REINFORCED SOLUTION HOSE	1
28	T-050R6000	BULK 1/2" ID X 5' WIRE REINFORCED SOLUTION HOSE	1
29	T-050R6000	BULK 1/2" ID X 5' WIRE REINFORCED SOLUTION HOSE	1
30	T-050R6000	BULK 1/2" ID X 5' WIRE REINFORCED SOLUTION HOSE	1
31	T-050R6000	BULK 1/2" ID X 5' WIRE REINFORCED SOLUTION HOSE	1

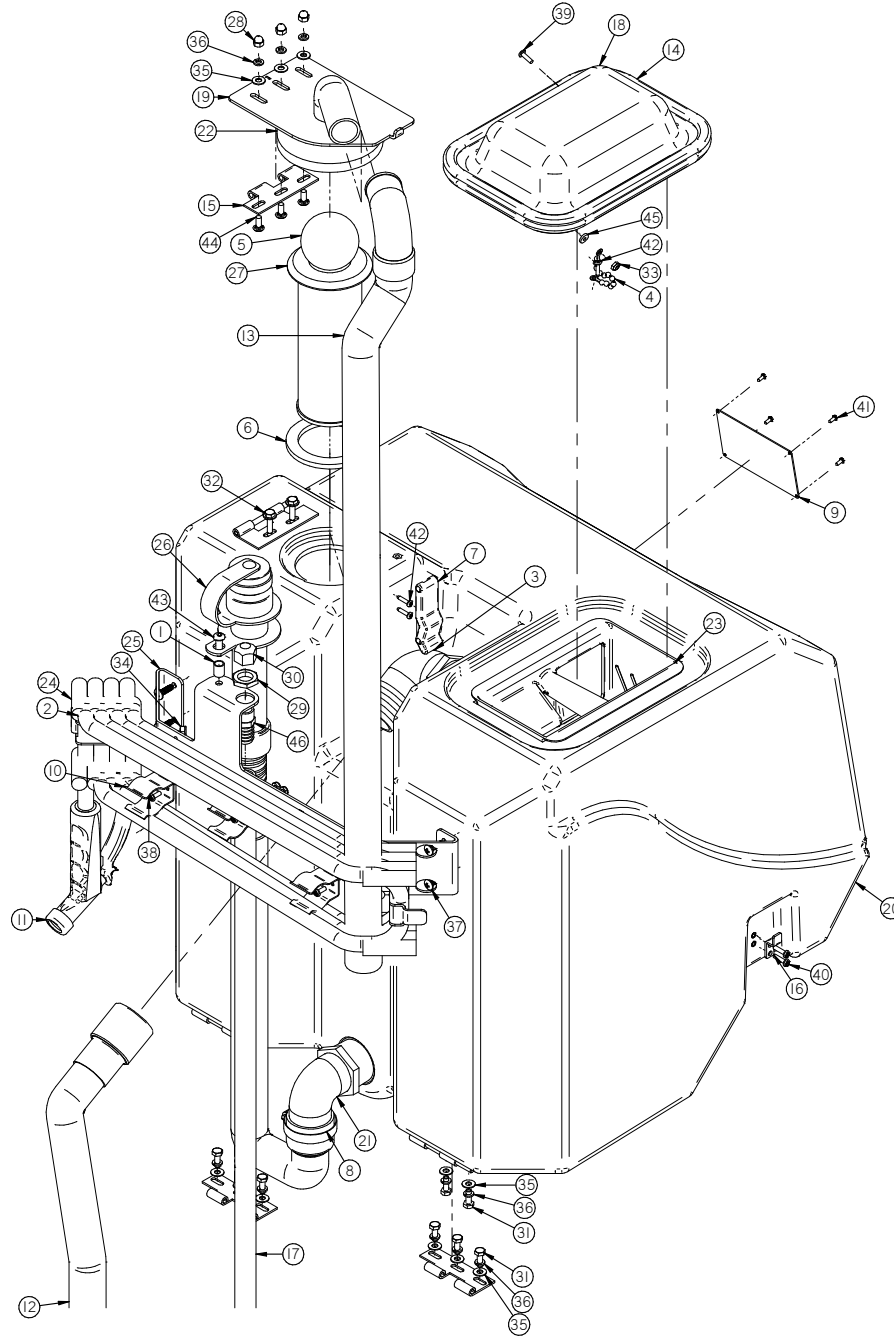
SOAP OPTIONS:
 PC707 - CITRUS GREEN
 PC733 - LOW pH
 PC755 - HIGH POWER
 PC757 - GLOSS
 PC797 - HD



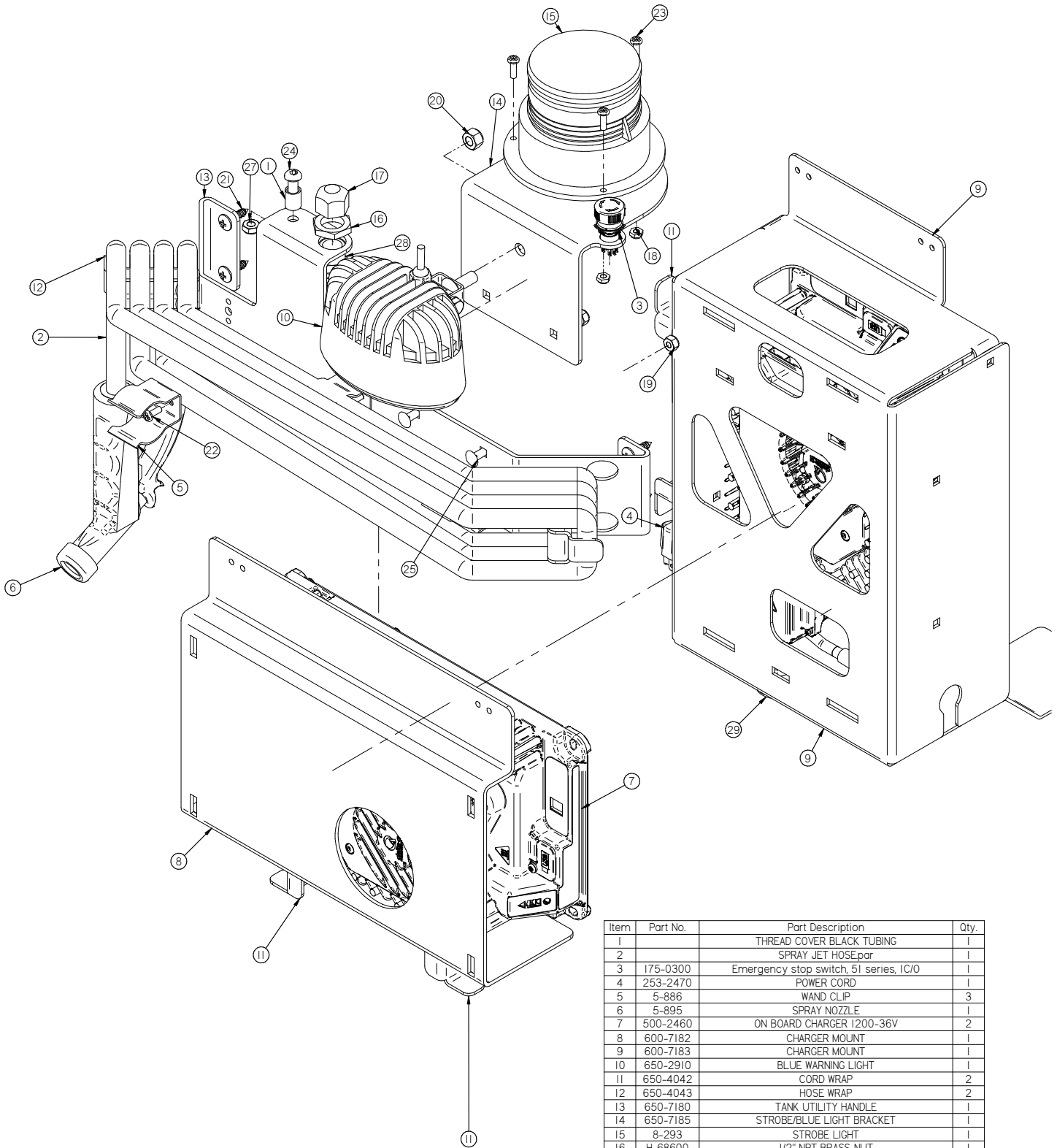


Item	Part No.	Part Description	Qty.	Item	Part No.	Part Description	Qty.
1	170-1045	TANK STRAP, 22" LG X 4" WIDE	1	16	600-1129	SOLUTION CURTIAN	1
2	170-7211	1-1/2 HOSE CAP	2	17	600-1390	SEAT	1
3	170-8911	SCREEN STRAINER, 4-1/4" LG	1	18	600-4140	GTX SOLUTION TANK	1
4	250-1240	LATCH	2	19	650-7890	TANK CABLE	2
5	253-1040	TANK STRAP SUPPORT	2	20	H-04907	3/4" NPT TO 3/4" BARBED ELBOW	1
6	290-4148	7/32" POLYPROPYLENE BALL	1	21	H-70003	HCS 1/4"-20 X 3/4" SS	6
7	290-4149	1/4" NPT X 1/4" BARB X 90 DEG	2	22	H-70861	NYLOK 5/16" - 18 SS	4
8	370-5226	FLOAT VALVE SWITCH	1	23	H-71013	FW 1/4 ID X 5/8 OD SS	6
9	4-528	CORNER SEAL STRIP	1	24	H-71063	LW 1/4" SS	6
10	400-4250	4" Clear Access Port	1	25	H-71893	1/4 X 3/4 SELF TAPPING SCREW	6
11	5-122	8" SS HINGE	2	26	H-72916	PPH SMS #8 X 3/4" SS	4
12	5-8290	O-RING, #324, 1.35" X 1.77" X .210" BUNA-N	2	27	H-72930	PPH SMS #10 X 3/4" SS	6
13	500-1380	FILL HOSE	2	28	H-99001	FW 3/8" SS NOM ID. 4375 X OD 1.0	4
14	500-1431	SEAT SWITCH	1	29	M-5463K496	.75 NPT X .25 BARBED X 90 DEG.par	1
15	600-0110	FRONT SIGHT TUBE	1	30	M-8146A44	GREY TANK RUBBER 7.25 INCH.par	1

Recovery Tank

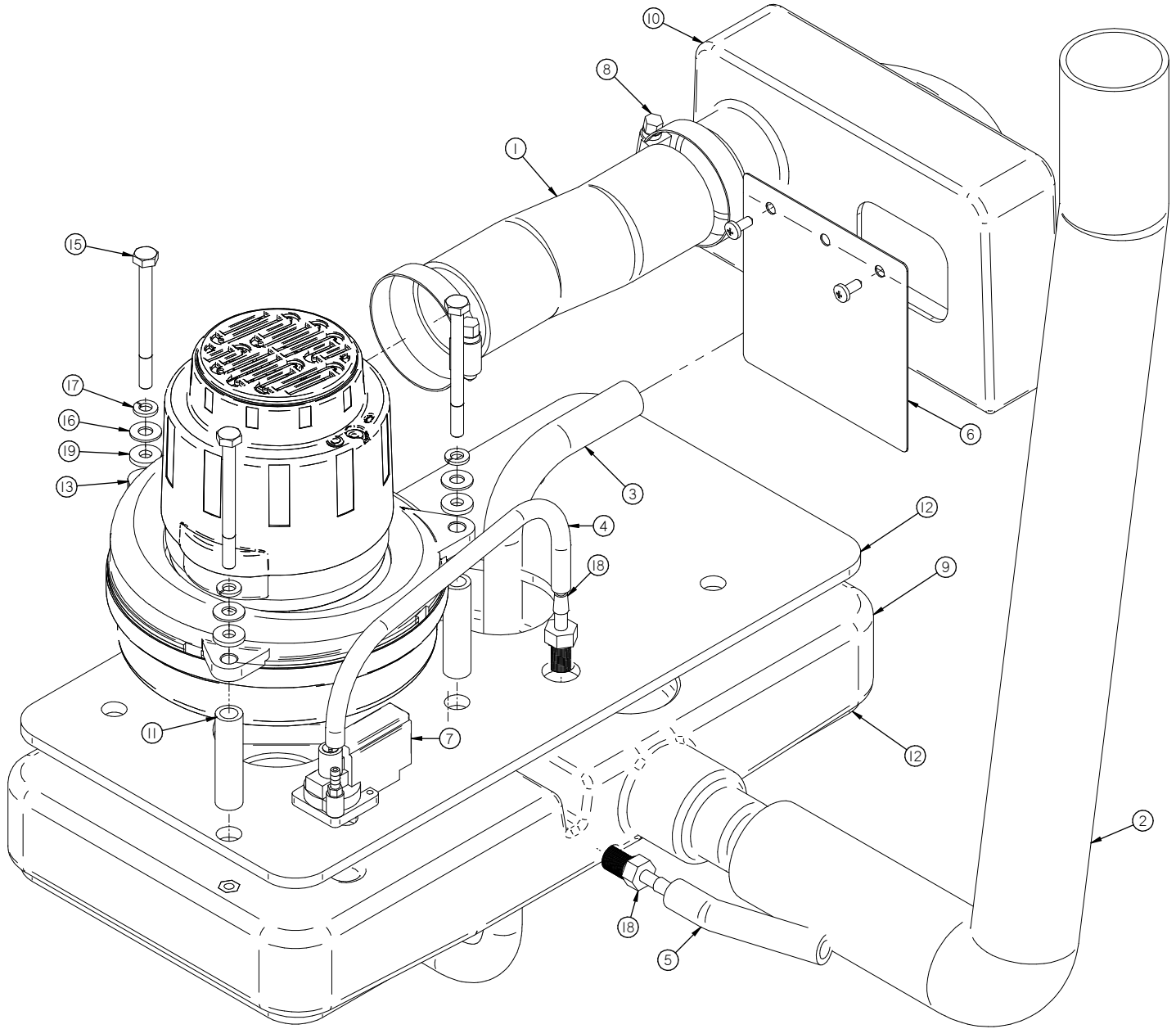


Item	Part No.	Part Description	Qty.	Item	Part No.	Part Description	Qty.
1		THREAD COVER BLACK TUBING	1	24	650-4043	HOSE WRAP	1
2		SPRAY JET HOSE.par	1	25	650-7180	TANK UTILITY HANDLE	1
3	290-7040	2" NPT X 2" BARB STREET ELBOW, BLACK	1	26	650-7210	RECOVERY DRAIN HOSE	1
4	370-4060	6" LANYARD	1	27	8-911	SCREEN STRAINER	1
5	38-712	OVERFILL SHUTOFF BALL	1	28	H-37708	1/4-20 LC ACORN NUT	1
6	38-738	STRAINER GASKET	1	29	H-68600	1/2" NPT BRASS NUT	1
7	4-124	LATCH	1	30	H-69843	.50 NPT CAP	1
8	5-719	CLAMP 1 9/16 - 2 1/2" SS	1	31	H-70003	HCS 1/4"-20 X 3/4" SS	2
9	5-728	DETERGENT WARNING PLATE	1	32	H-70005	HCS 1/4"- 20 X 1" SS	1
10	5-886	WAND CLIP	1	33	H-70858	NYLOK #10-32 SS	1
11	5-895	SPRAY NOZZLE	1	34	H-70860	NYLOK 1/4"- 20 SS	1
12	600-0111	SQUEEGEE HOSE	1	35	H-71013	FW 1/4 ID X 5/8 OD SS	3
13	600-0114	VAC HOSE	1	36	H-71063	LW 1/4" SS	3
14	600-1075	PUSH-ON RUBBER GASKET	1	37	H-71894	#14 X 1" SELF TAPPING SCREW	1
15	600-1220	4" SS HINGE	1	38	H-72515	PPH #10-32 X 1/2" S/S	1
16	600-1240	600-1240 clip.psm	1	39	H-72517	PPH #10-32 X 5/8" SS	1
17	600-1370	SIGHT TUBE	1	40	H-72534	PPH #10-32 X 3/4" S/S	1
18	600-1410	VAC FORMED CLEAR COVER	1	41	H-72902	PPH SMS #6 X 3/8" SS	1
19	600-4110	VAC SCREEN INLET	1	42	H-72916	PPH SMS #8 X 3/4" SS	2
20	600-7010	GTX RECOVERY TANK	1	43	H-73780	BHSCS 5/16-18 X 1	1
21	600-7040	2" NPT X 2" BARB STREET ELBOW, BLACK	1	44	H-74418	CB 1/4"- 20 X 5/8" S/S	1
22	600-7390	VAC INLET GASKET	1	45	H-90133	.17 ID X .5 OD X .093 NEOPRENE WASHER	1
23	600-8915	DRAIN SAVER BASKET	1	46	M-5346K68	.50 NPT X .75 BARB	1

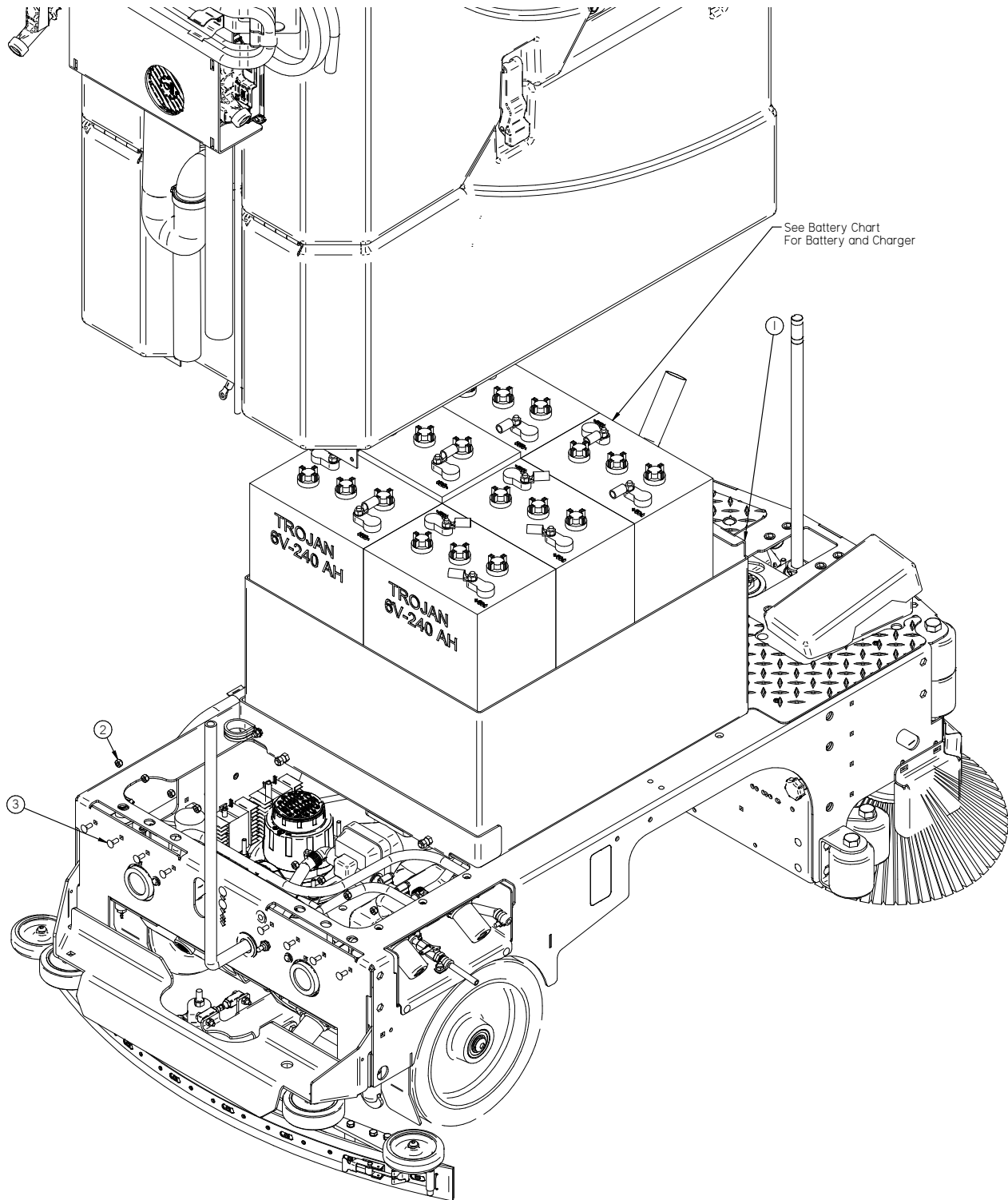


Item	Part No.	Part Description	Qty.
1		THREAD COVER BLACK TUBING	1
2		SPRAY JET HOSE	1
3	175-0300	Emergency stop switch, 51 series, IC/O	1
4	253-2470	POWER CORD	1
5	5-886	WAND CLIP	3
6	5-895	SPRAY NOZZLE	1
7	500-2460	ON BOARD CHARGER 1200-36V	2
8	600-7182	CHARGER MOUNT	1
9	600-7183	CHARGER MOUNT	1
10	650-2910	BLUE WARNING LIGHT	1
11	650-4042	CORD WRAP	2
12	650-4043	HOSE WRAP	2
13	650-7180	TANK UTILITY HANDLE	1
14	650-7185	STROBE/BLUE LIGHT BRACKET	1
15	8-293	STROBE LIGHT	1
16	H-68600	1/2" NPT BRASS NUT	1
17	H-69843	.50 NPT CAP	1
18	H-70858	NYLOK #10-32 SS	9
19	H-70860	NYLOK 1/4"- 20 SS	6
20	H-70862	NYLOK 3/8"-16 SS	1
21	H-71894	#14 X 1" SELF TAPPING SCREW	4
22	H-72515	PPH #10-32 X 1/2" S/S	6
23	H-72517	PPH #10-32 X 5/8" SS	3
24	H-73780	BHSCS 5/16-18 X 1	1
25	H-74418	CB 1/4"- 20 X 5/8" S/S	6
26	H-74428	CB 1/4"- 20 X 4.5" SS	4
27	H-NU05C	JNYL 5/16"- 18 SS	1
28	M-5346K68	.50 NPT X .75 BARB	1
29	M-9307K82	GROMMET, 3/4" ID X 1-3/8" OD BUNA-N	2

Vacuum Motor Assembly

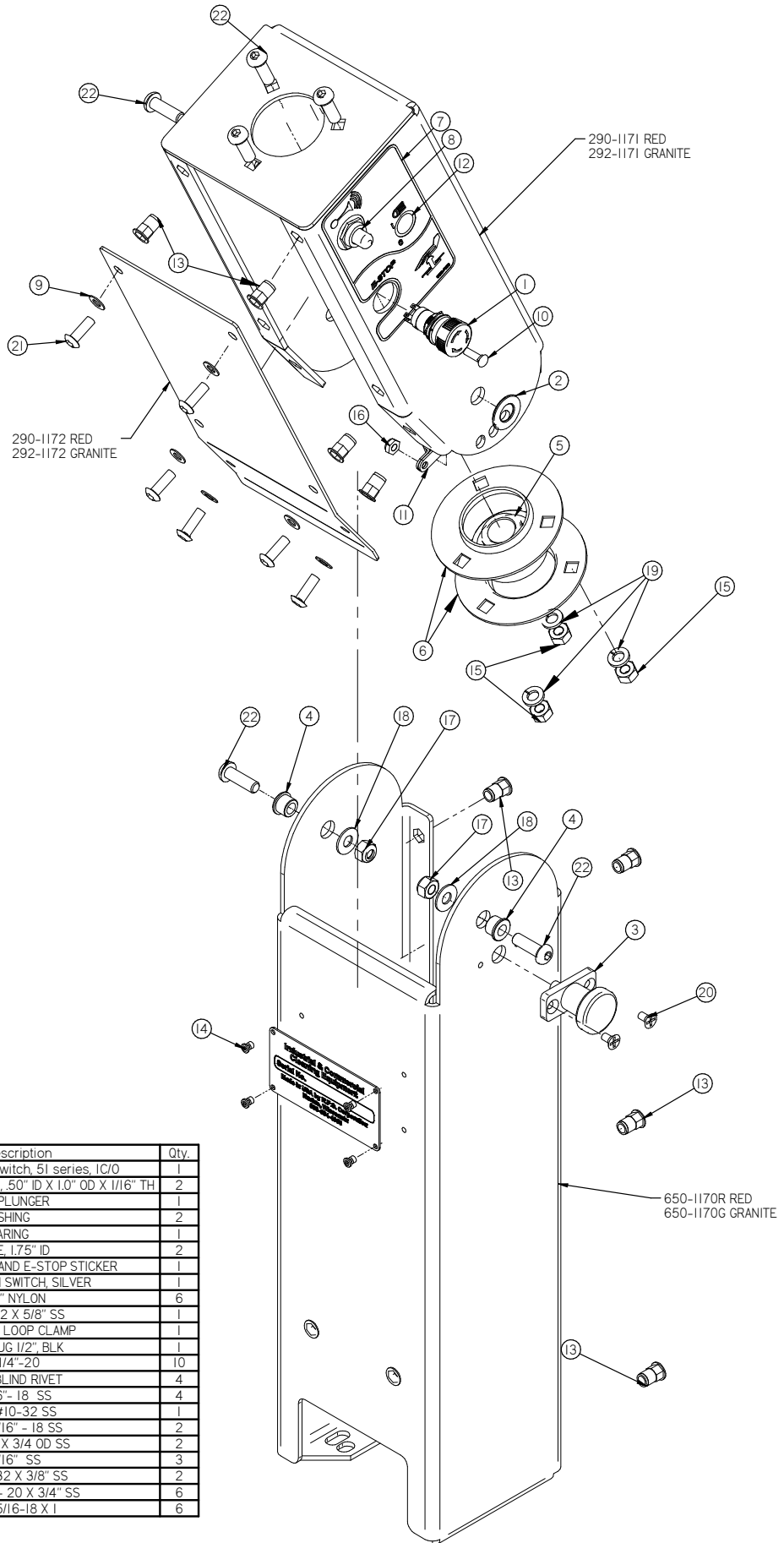


Item	Part No.	Part Description	Qty.
1		2" HOSE	1
2		CLEANAIR INTAKE	1
3		VAC BOX DRAIN	1
4		VAC SWITCH HOSE	1
5			1
6	175-1029	TANK BACK SPLASH	1
7	390-2328	SWITCH, VACUUM SHUTOFF	1
8	5-719	CLAMP 1 9/16 - 2 1/2" SS	2
9	650-1146	GTR VAC BOX	1
10	650-1148	GTR VAC MUFFLER WALL	1
11	650-2600	SPACER, 2-1/8" LG	3
12	650-3001	VAC MOTOR GASKET	2
13	650-5250	36 V VAC MOTOR	1
14*	H-175216	PPH SMS #10 X 1/2" SBO	2
15	H-70015	HCS 1/4"- 20 X 3.0" SS	3
16	H-71013	FW 1/4 ID X 5/8 OD SS	3
17	H-71063	LW 1/4" SS	3
18	M-5463K439	.25 NPT X .125 BARB	2
19	M-90130A029	.25" NEOPRENE WASHER	3



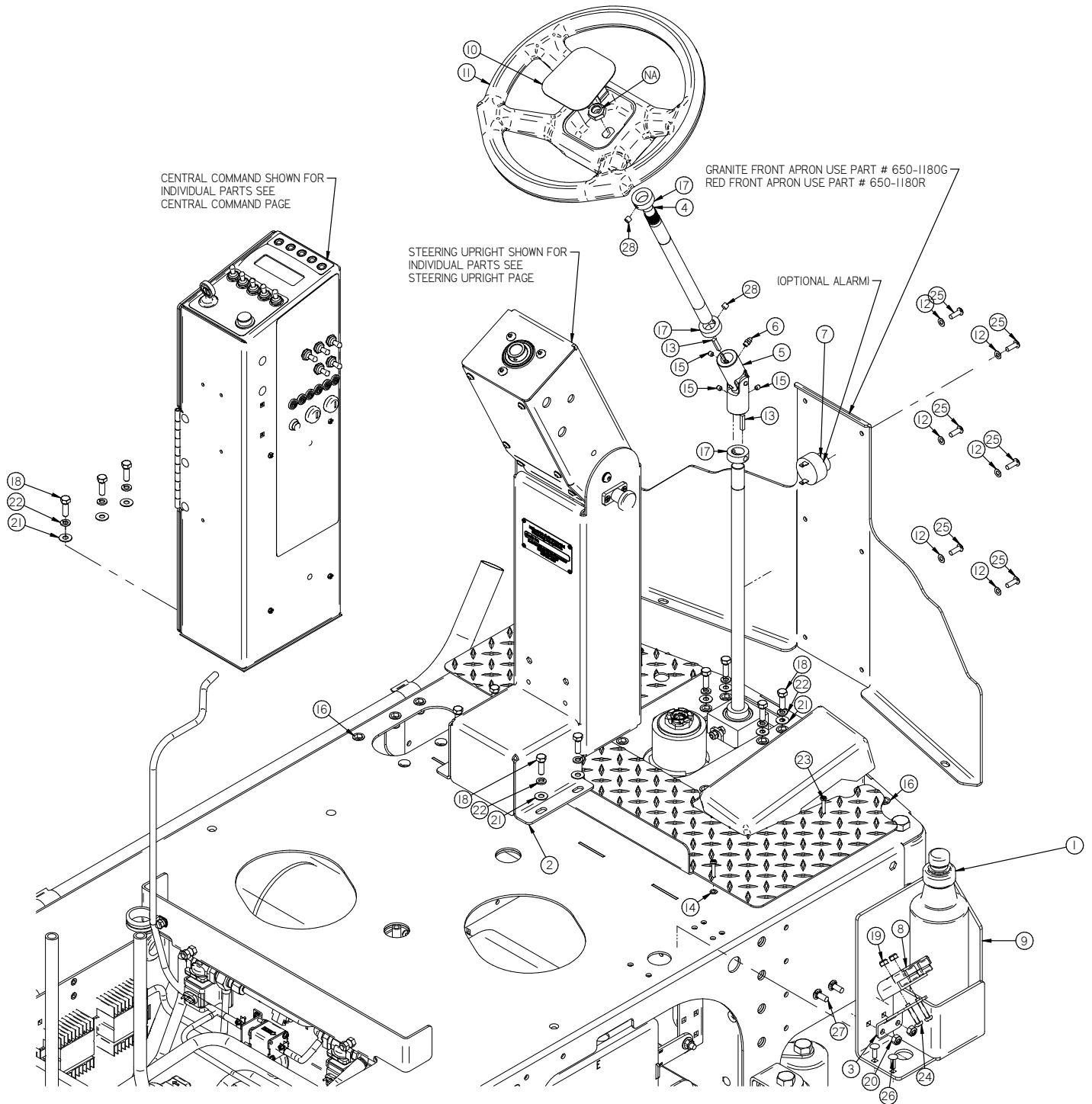
WHICH BATTERY CHARGER TO USE WITH BATTERY SELECTION

Battery Part Number & Description	Console Charger / North America	Onboard Charger / North America / International
ST ONLY 175-2110 (6V / 210AH - WET)	250-2540 (36VDC / 25A)	500-2460 (36VDC / 27A)
ST ONLY 250-2113 (6V / 240AH - WET)	250-2540 (36VDC / 25A)	500-2460 (36VDC / 27A)
HD ONLY 370-2117 (6V / 310AH - WET)	370-2540 (36VDC / 30A)	370-2460 (36VDC / 33A)
HD ONLY 253-2112 (6V / 360AH - WET)	370-2540 (36VDC / 30A)	370-2460 (36VDC / 33A)
ST ONLY 250-2120 (6V / 250AH - AGM)	N/A	500-2460 (36VDC / 33A)
HD ONLY 370-2120 (6V / 335AH - AGM)	N/A	370-2460 (36VDC / 33A)



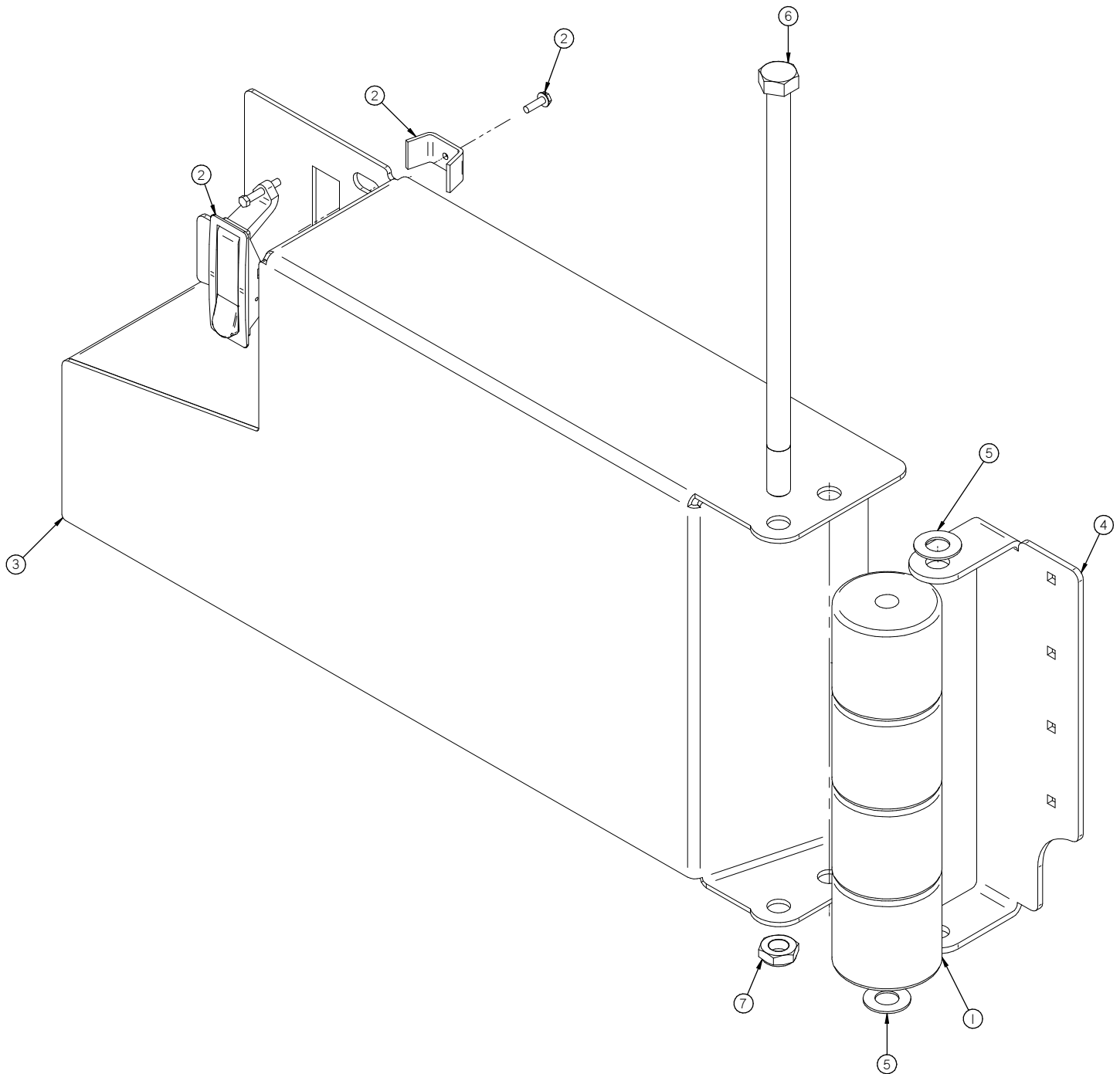
Item	Part No.	Part Description	Qty.
1	175-0300	Emergency stop switch, 51 series, 1C/O	1
2	290-1247	BRONZE THRUST BEARING, .50" ID X 1.0" OD X 1/16" TH	2
3	290-7050	INDEX PLUNGER	1
4	370-1245	BUSHING	2
5	4-352	BEARING	1
6	4-364A	FLANGE, 1.75" ID	2
7	600-1503	HORN HEAD LIGHT AND E-STOP STICKER	1
8	8-294B	PUSH BUTTON SWITCH, SILVER	1
9	H-00282	FW 1/4" NYLON	6
10	H-0172519	CB #10-32 X 5/8" SS	1
11	H-02239	3/8" NYLON LOOP CLAMP	1
12	H-0708887	DOME PLUG 1/2", BLK	1
13	H-250HCN	HCN 1/4"-20	10
14	H-41007	AB4-3A BLIND RIVET	4
15	H-70711	HN 5/16"- 18 SS	4
16	H-70858	NYLOK #10-32 SS	1
17	H-70861	NYLOK 5/16" - 18 SS	2
18	H-71015	FW 5/16 ID X 3/4 OD SS	2
19	H-71065	LW 5/16" SS	3
20	H-72681	FHP #10-32 X 3/8" SS	2
21	H-73754	BHSCS 1/4 - 20 X 3/4" SS	6
22	H-73780	BHSCS 5/16-18 X 1	6

Attaching Steering Column & Central Command

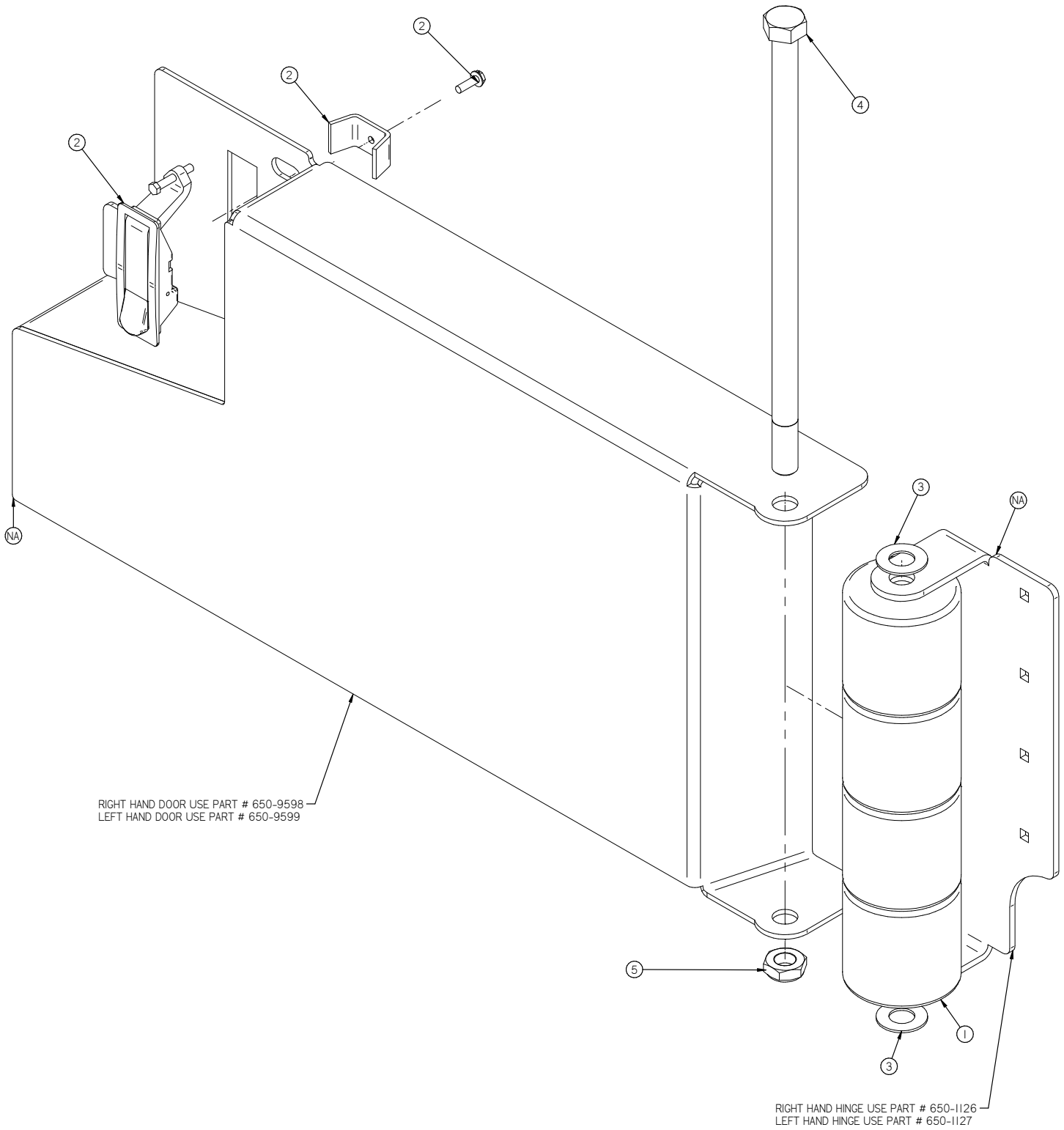


Item	Part No.	Part Description	Qty.	Item	Part No.	Part Description	Qty.
1		ROUND SOAP BOTTLE	1	15	H-25379	SETSCREW, KCP, 1/4"-20 X 1/4"	3
2	250-1173	DRIVE COVER	1	16	H-312HCN	HCN 5/16"-18	16
3	264-9516	CHARGER CONECTOR BRACKET	1	17	H-33376	SHAFT COLLAR, 3/4" ID X 9/16 LG	3
4	290-7090	STEERING SHAFT, UPPER	1	18	H-70055	HCS 5/16"- 18 X 1" SS	11
5	290-7110	U-JOINT	1	19	H-70860	NYLOK 1/4"- 20 SS	6
6	290-7111	1/4-28 ZERK FITTING	1	20	H-70861	NYLOK 5/16" - 18 SS	2
7	370-2930	ALARM (91 dPd)	1	21	H-71015	FW 5/16 ID X 3/4 OD SS	11
8	390-2576	175A GREY CONNECTOR	1	22	H-71065	LW 5/16" SS	11
9	650-2450	POWER DOSE BOTTLE HOLDER	1	23	H-72536	PPH #10-32 X 1" S/S	6
10	8-701A	STEERING COVER	1	24	H-72594	PPH 1/4-20 X 1-1/4" SS	2
11	8-703	STEERING WHEEL	1	25	H-73754	BHSCS 1/4 - 20 X 3/4" SS	6
12	H-00282	FW 1/4" NYLON	6	26	H-74419	CB 1/4"- 20 X .75" SS	4
13	H-01125	3/16" X 1" KEY	2	27	H-74429	CB 5/16"- 18 X 3/4" SS	2
14	H-1032HCN	HCN #10-32	6	28	H-81983	5/16" X 1/4" KURL SET SCREW	3

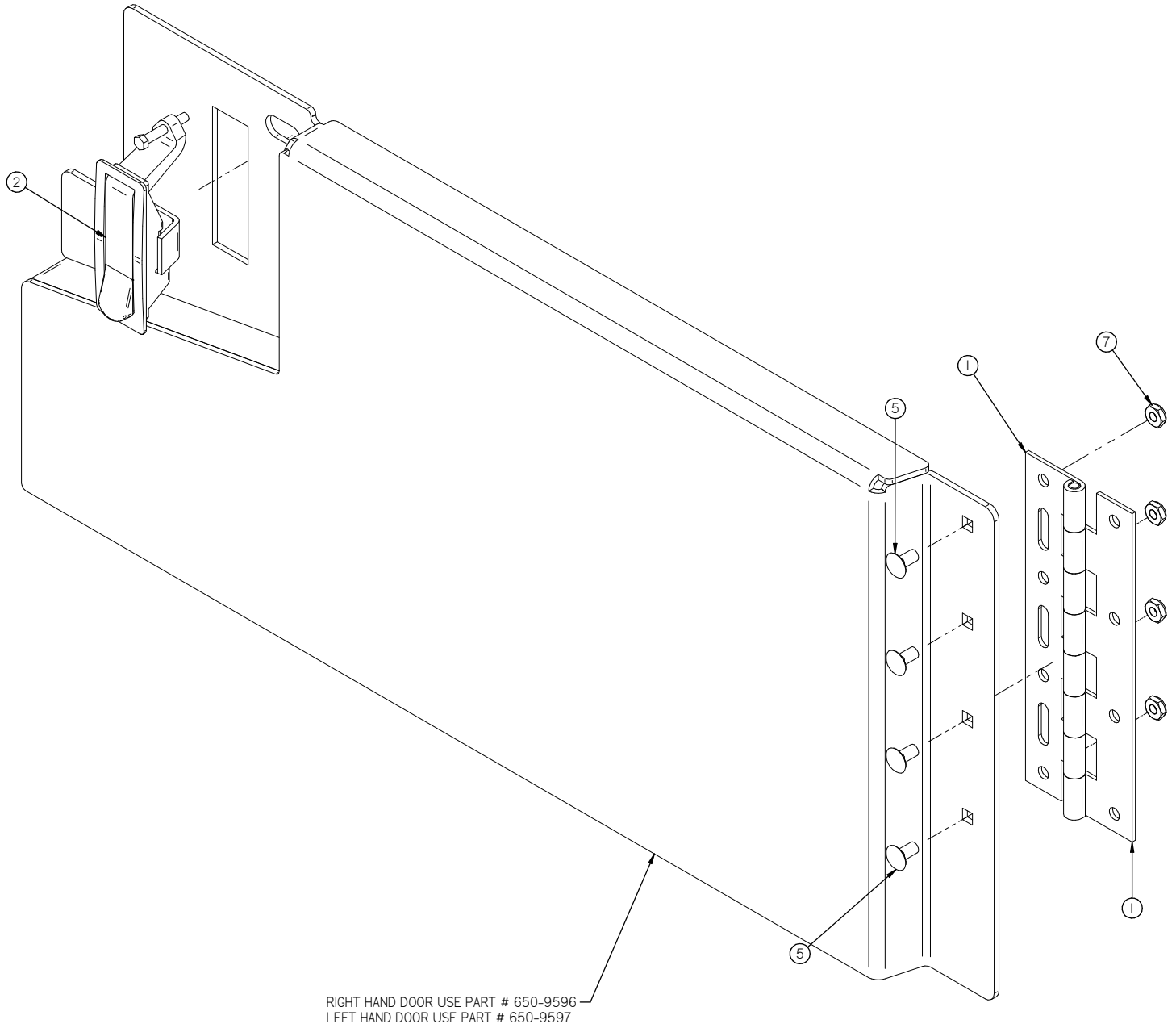
34" Disk & 33" Cylindrical Doors



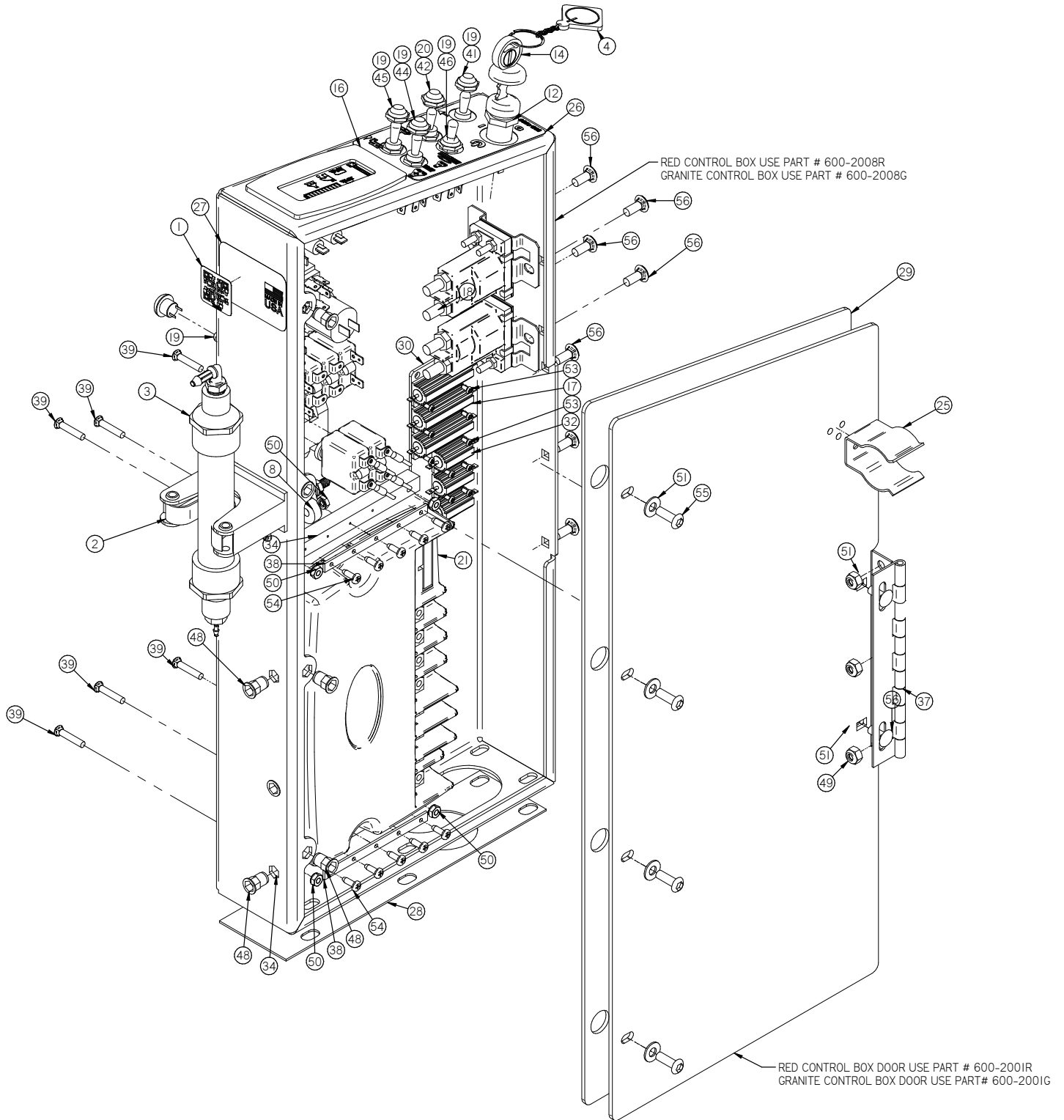
Item	Part No.	Part Description	Qty.
1	21-1127	ROLLER	4
2	5-130	DOOR LATCH	1
3	600-9598	DOOR (RH 33" CYLINDRICAL)	1
4	650-1126	ROLLER BRACKET HINGE (RH)	1
5	H-00279	FW 5/8" PVC	2
6	H-13337	HB 5/8"- 11 X 13"	1
7	H-37038	JNYL 5/8"- 11	1



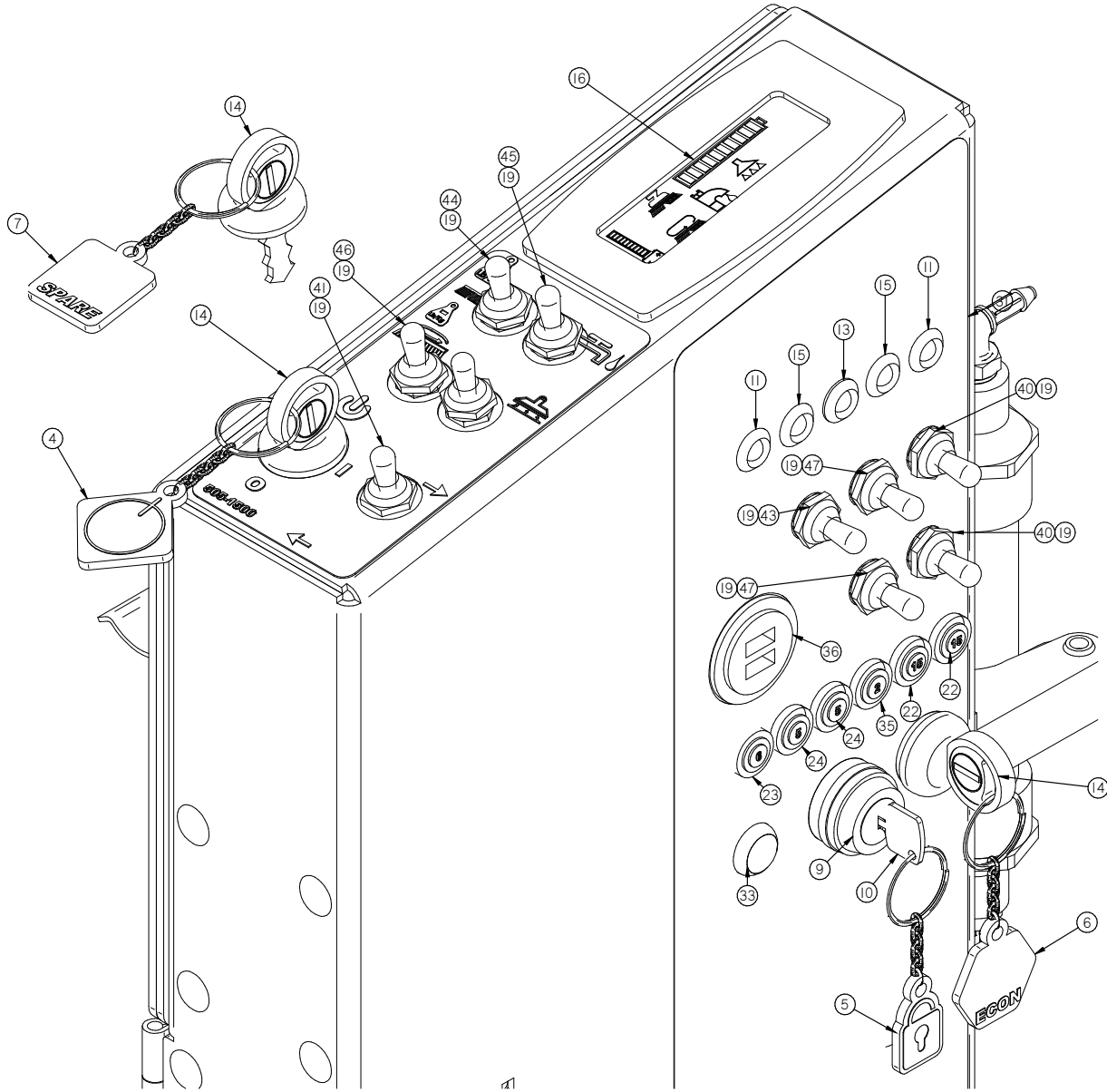
Item	Part No.	Part Description	Qty.
1	21-1127	ROLLER	4
2	5-130	DOOR LATCH	1
3	H-00279	FW 5/8" PVC	2
4	H-13337	HB 5/8"- 11 X 13"	1
5	H-37038	JNYL 5/8"- 11	1



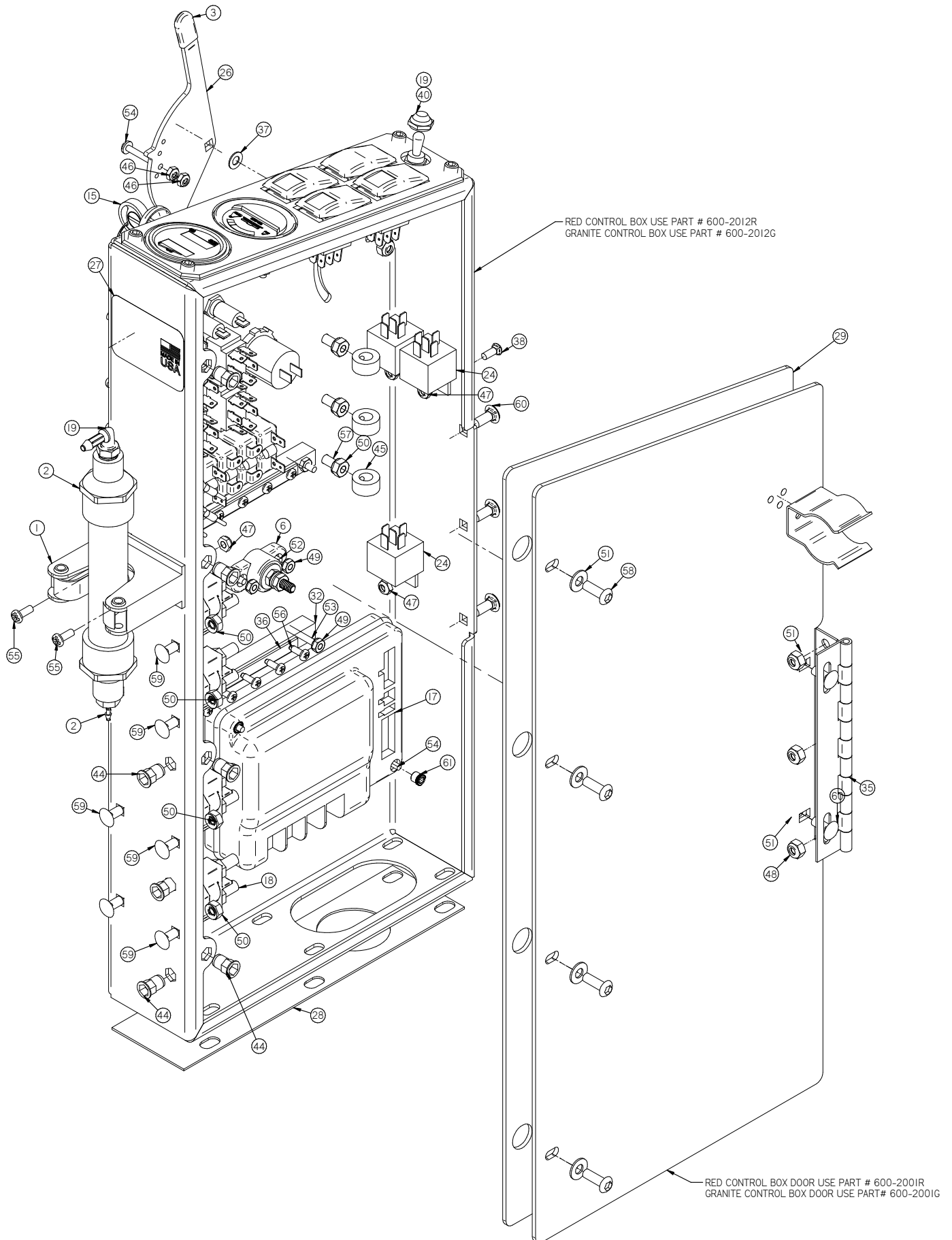
Item	Part No.	Part Description	Qty.
1	5-122	8" SS HINGE	1
2	5-130	DOOR LATCH	1
3	H-37708	1/4"-20 LC ACORN NUT	4
4	H-71063	LW 1/4" SS	4
5	H-74417	CB 1/4"- 20 X .5" SS	4
6	H-74418	CB 1/4"- 20 X 5/8" S/S	4
7	H-NJ04C	JNYL 1/4" - 20 SS	4

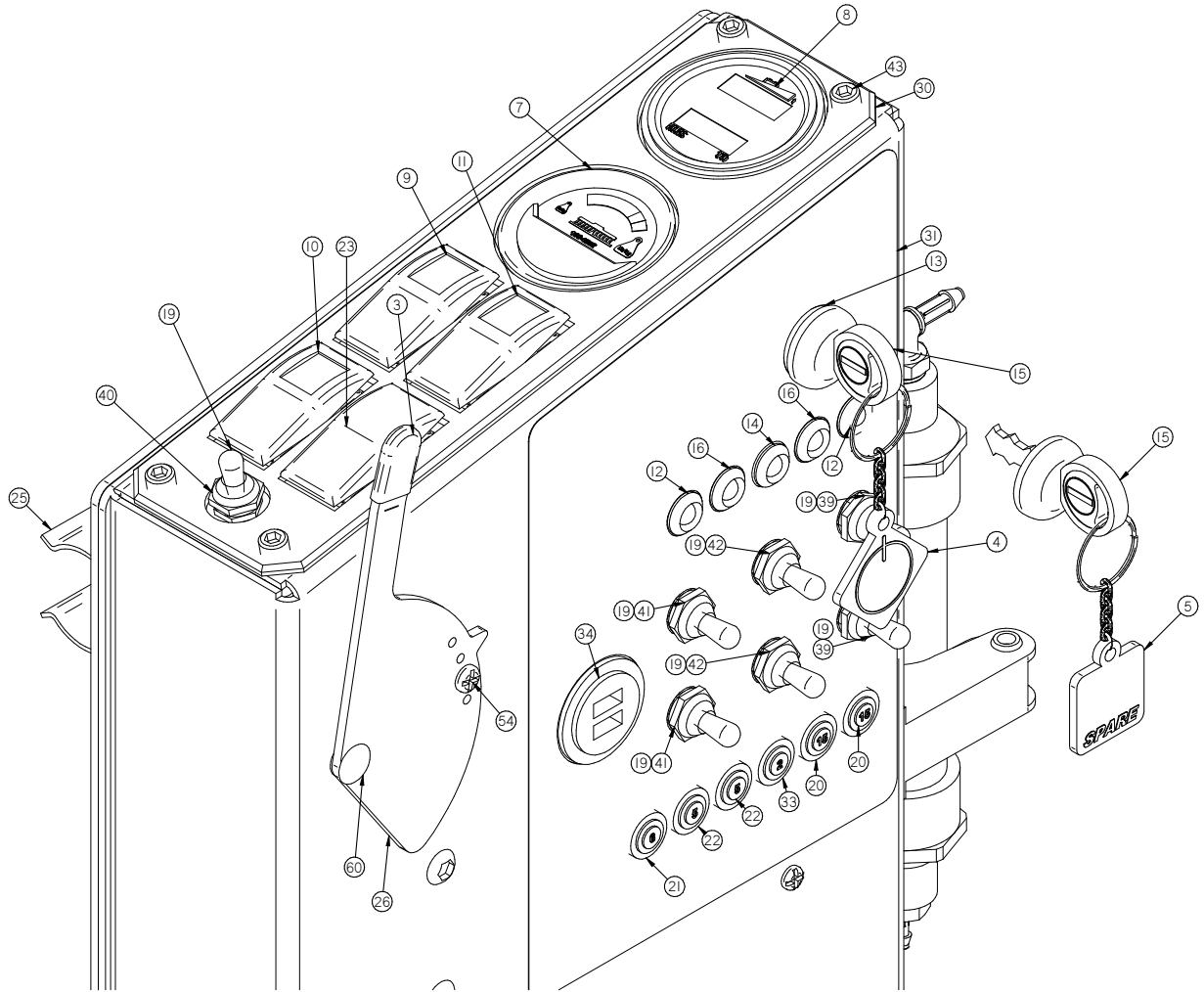


Legacy Central Command

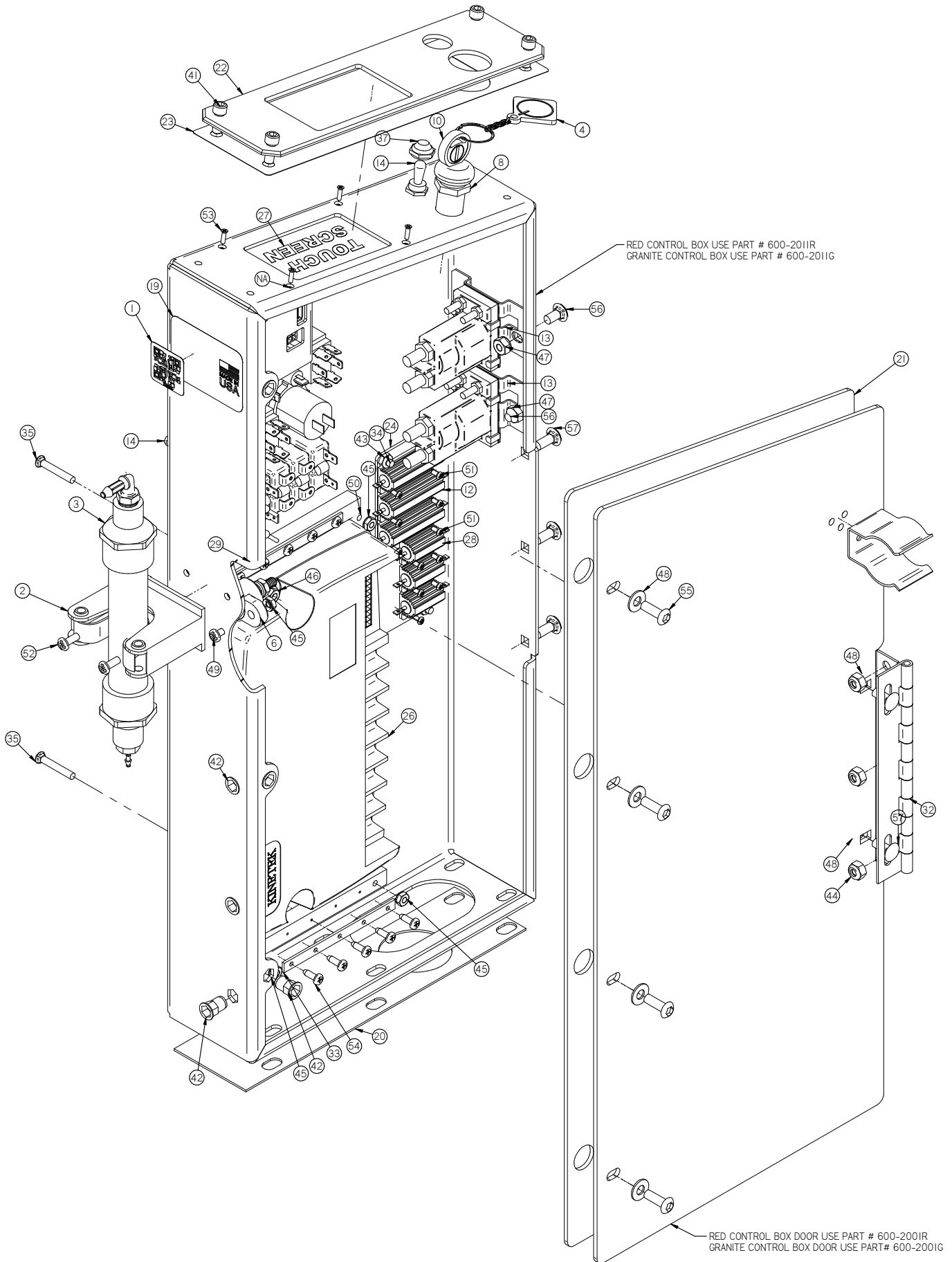


Item	Part No.	Part Description	Qty.	Item	Part No.	Part Description	Qty.
1		QR sticker	1	29	600-2005	ACCESS COVER GASKET	1
2	123-8860	HOSE BRACKET HOLDER	1	30	650-2007	RESISTER PLATE	1
3	123-9134	AIR DRYER	1	31	650-2019	CONTROL PANEL STICKER, FRONT	1
4	175-2352	POWER KEY FOB	1	32	650-9581	RESISTER	3
5	175-2352	MANAGER LOCK OUT KEY FOB	1	33	7-229D	PUSH BUTTON SWITCH	1
6	175-2352	ECON KEY FOB	1	34	7-287	BUSS BAR UHMW	2
7	175-2352	SPARE KEY FOB	1	35	7-837	7-837.asm	1
8	175-2700	NEG INSULATOR POST (BLACK)	1	36	700-2590	DUAL USB PORTS	1
9	264-234	LOCKOUT KEY SWITCH	1	37	8-180	HINGE, 6-7/8" S/S	1
10	264-234A	MANGER LOCK OUT KEY	1	38	E-5HBB	5 HOLE BUSS BAR	2
11	290-2330	RED LIGHT	2	39	H-0172521	CB #10-32 X 1" SS	6
12	290-234	KEY SWITCH WITH KEY)	2	40	H-11195	PROTECTIVE BOOT, TOGGLE SWITCH, (WHITE)	2
13	290-2340	GREEN LIGHT	1	41	H-11196	PROTECTIVE BOOT, TOGGLE SWITCH, (RED)	1
14	290-234A	KEY SET (REPLACE)	3	42	H-11197	PROTECTIVE BOOT, TOGGLE SWITCH, (YELLOW)	1
15	290-2350	YELLOW LIGHT	2	43	H-11198	PROTECTIVE BOOT, TOGGLE SWITCH, (GREEN)	1
16	290-2891	LCD SCREEN	1	44	H-11199	PROTECTIVE BOOT, TOGGLE SWITCH, (BLUE)	1
17	290-9581	RESISTER	3	45	H-11200	PROTECTIVE BOOT, TOGGLE SWITCH, (BLACK)	1
18	370-2331	RELAY, 36V, SMALL, W/FLAT MTG PLATE	2	46	H-11201	PROTECTIVE BOOT, TOGGLE SWITCH, (GRAY)	1
19	370-8210	SWITCH, TOGGLE, ON/ON (DPDT)	9	47	H-11202	PROTECTIVE BOOT, TOGGLE SWITCH, (ORANGE)	2
20	370-8920	TOGGLE, ON-OFF SPST	1	48	H-250HCN	HCN 1/4"-20	7
21	390-2899	CONTROLLER V4	1	49	H-70860	NYLOK 1/4"- 20 SS	5
22	390-9615	FUSE, RESETTABLE, 15 AMP, 50V DC MAX	2	50	H-70922	KN #8-32	6
23	4-284	FUSE, RESETTABLE, 6 AMP, 50V DC MAX	1	51	H-71013	FW 1/4 ID X 5/8 OD SS	6
24	4-960	FUSE, RESETTABLE, 5 AMP, 50V DC MAX	2	52*	H-72398	PPH #8-32 X 1/2" S/S	2
25	5-886	WAND CLIP	1	53	H-72486	PPH #4-40 X 1/2" S/S	12
26	505-1500	CONTROL PANEL STICKER, TOP	1	54	H-72914	PPH SMS #8 X 1/2"	10
27	505-1500	METER STICKER	1	55	H-73754	BHSCS 1/4 - 20 X 3/4" SS	4
28	600-2004	CENTRAL COMMAND DUST CURTAIN	1	56	H-74418	CB 1/4"- 20 X 5/8" S/S	9

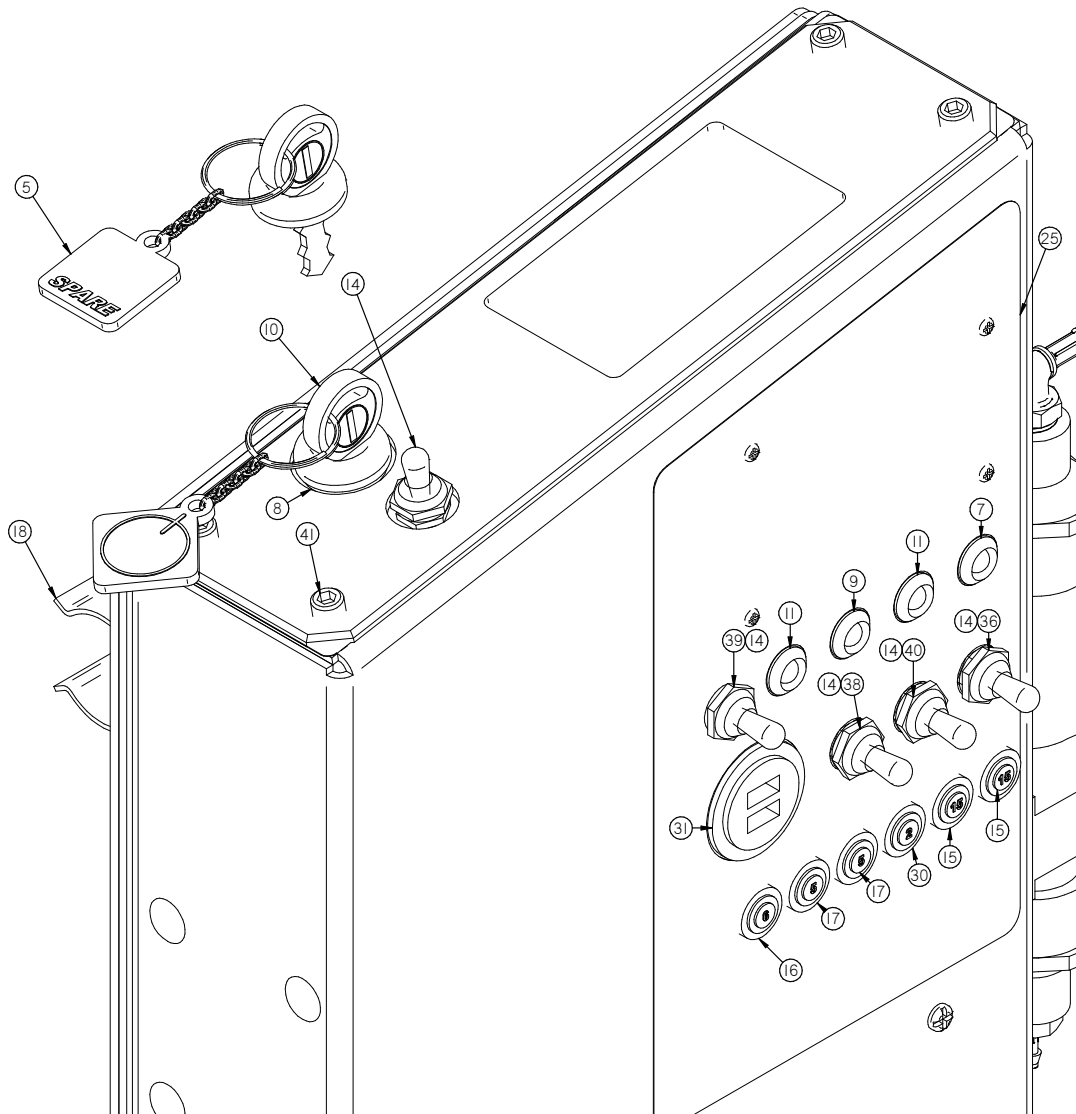




Item	Part No.	Part Description	Qty.	Item	Part No.	Part Description	Qty.
1	123-8860	HOSE BRACKET HOLDER	1	31	650-2019	CONTROL PANEL STICKER, FRONT	1
2	123-9134	AIR DRYER	1	32	7-287	BUSS BAR UHMW	2
3	150-4480	HANDLE GRIP (BLUE)	1	33	7-837	7-837.asm	1
4	175-2352	POWER KEY FOB	1	34	700-2590	DUAL USB PORTS	1
5	175-2352	SPARE KEY FOB	1	35	8-180	HINGE, 6-7/8" S/S	1
6	175-2700	NEG INSULATOR POST (BLACK)	1	36	E-5HBB	5 HOLE BUSS BAR	2
7	190-4852	BRUSH PRESSURE GAUGE, 40 AMP	1	37	H-00282	FW 1/4" NYLON	1
8	200-4855	36V BATTERY AND HOUR METER	1	38	H-0172518	CB #10-32 X 1/2" SS	4
9	260-2350A	SWITCH, ROCKER, DPDT, ON/ON AMBER	1	39	H-11195	PROTECTIVE BOOT, TOGGLE SWITCH, (WHITE)	2
10	260-2351A	SWITCH, ROCKER, DPDT, ON/ON GREEN	1	40	H-11196	PROTECTIVE BOOT, TOGGLE SWITCH, (RED)	1
11	260-2352A	SWITCH, ROCKER, DPDT, ON/ON BLUE	1	41	H-11198	PROTECTIVE BOOT, TOGGLE SWITCH, (GREEN)	2
12	290-2330	RED LIGHT	2	42	H-11202	PROTECTIVE BOOT, TOGGLE SWITCH, (ORANGE)	2
13	290-234	KEY SWITCH (WITH KEY)	1	43	H-1123202	SHCS 1/4-20 X 5/8 BLACK OXIDE	4
14	290-2340	GREEN LIGHT	1	44	H-250HCN	HCN 1/4"-20	11
15	290-234A	KEY SET (REPLACE)	2	45	H-33372	SHAFT COLLAR, 3/8" ID	3
16	290-2350	YELLOW LIGHT	2	46	H-70856	NYLOK #8-32 SS	2
17	349-2899	IDRIVE 24V I40 AMP CONTROLLER	1	47	H-70858	NYLOK #10-32 SS	6
18	370-2331	RELAY, 36V, SMALL W/FLAT MTG PLATE	4	48	H-70860	NYLOK 1/4"- 20 SS	6
19	370-8210	SWITCH, TOGGLE, ON/ON (DPDT)	7	49	H-70922	KN #8-32	6
20	390-9615.asm		2	50	H-70925	KN 1/4-20 S/S	11
21	4-284	4-284	1	51	H-71013	FW 1/4 ID X 5/8 OD SS	6
22	4-960	4-284	2	52	H-72398	PPH #8-32 X 1/2" S/S	2
23	5-234	SWITCH, ROCKER, DPDT, ON/ON	1	53	H-72418	PPH #8-32 X 1" S/S	4
24	5-293	15 AMP RELAY	4	54	H-72419	PPH #8-32 X 1-1/4" S/S	3
25	5-886	WAND CLIP	1	55	H-72515	PPH #10-32 X 1/2" S/S	2
26	500-2003	VALVE LEVER	1	56	H-72914	PPH SMS #8 X 1/2"	10
27	505-1500	METER STICKER	1	57	H-73753	BHSCS 1/4 - 20 X 5/8" SS	3
28	600-2004	CENTRAL COMMAND DUST CURTAIN	1	58	H-73754	BHSCS 1/4 - 20 X 3/4" SS	4
29	600-2005	ACCESS COVER GASKET	1	59	H-74417	CB 1/4"- 20 X 5" SS	8
30	600-2022	CENTRAL COMMAND TOP	1	60	H-74418	CB 1/4"- 20 X 5/8" S/S	6
				61	M-92066A009	SCKT HEAD NUT #8-32.par	2



Touch Central Command



Item	Part No.	Part Description	Qty.	Item	Part No.	Part Description	Qty.
1		QR sticker	1	29	7-287	BUSS BAR UHMW	2
2	123-8860	HOSE BRACKET HOLDER	1	30	7-837	7-837.asm	1
3	123-9134	AIR DRYER	1	31	700-2590	DUAL USB PORTS	1
4	175-2352	POWER KEY FOB	1	32	8-180	HINGE, 6-7/8" S/S	1
5	175-2352	SPARE KEY FOB	1	33	E-5HBB	5 HOLE BUSS BAR	2
6	175-2700	NEG INSULATOR POST (BLACK)	1	34	H-0172518	CB #10-32 X 1/2" SS	2
7	290-2330	RED LIGHT	1	35	H-0172522	CB #10-32 X 1-1/4" SS	2
8	290-234	KEY SWITCH (WITH KEY)	1	36	H-11195	PROTECTIVE BOOT, TOGGLE SWITCH, (WHITE)	1
9	290-2340	GREEN LIGHT	1	37	H-11196	PROTECTIVE BOOT, TOGGLE SWITCH, (RED)	1
10	290-234A	KEY SET (REPLACE)	2	38	H-11198	PROTECTIVE BOOT, TOGGLE SWITCH, (GREEN)	1
11	290-2350	YELLOW LIGHT	2	39	H-11200	PROTECTIVE BOOT, TOGGLE SWITCH, (BLACK)	1
12	290-9581	RESISTER	3	40	H-11202	PROTECTIVE BOOT, TOGGLE SWITCH, (ORANGE)	1
13	370-2331	RELAY, 36V, SMALL W/FLAT MTG PLATE	2	41	H-1123202	SHCS 1/4-20 X 5/8 BLACK OXIDE	4
14	370-8210	SWITCH, TOGGLE, ON/ON (DPDT)	5	42	H-250HCN	HCN 1/4"-20	7
15	390-9615	FUSE, RESETTABLE, 15 AMP, 50V DC MAX	2	43	H-70858	NYLOK #10-32 SS	4
16	4-284	FUSE, RESETTABLE, 6 AMP, 50V DC MAX	1	44	H-70860	NYLOK 1/4"- 20 SS	5
17	4-960	FUSE, RESETTABLE, 5 AMP, 50V DC MAX	2	45	H-70922	KN #8-32	6
18	5-886	WAND CLIP	1	46	H-70923	KN #10-32 SS	2
19	505-1500	METER STICKER	1	47	H-70925	KN 1/4-20 S/S	4
20	600-2004	CENTRAL COMMAND DUST CURTAIN	1	48	H-71013	FW 1/4 ID X 5/8 OD SS	6
21	600-2005	ACCESS COVER GASKET	1	49	H-72398	PPH #8-32 X 1/2" S/S	2
22	600-2023	TOUCH SCREEN CC TOP	1	50	H-72418	PPH #8-32 X 1" S/S	4
23	600-2024	TOUCH SCREEN PROTECTOR	1	51	H-72486	PPH #4-40 X 1/2" S/S	12
24	650-2007	RESISTER PLATE	1	52	H-72515	PPH #10-32 X 1/2" S/S	2
25	650-2019	CONTROL PANEL STICKER, FRONT	1	53	H-72636	FHP #4-40 X .375 SS	4
26	650-2890	KINETECK TOUCH SCREEN CONTROLER	1	54	H-72914	PPH SMS #8 X 1/2"	10
27	650-2891	4 INCH TOUCH SCREEN	1	55	H-73754	BHSCS 1/4 - 20 X 3/4" SS	4
28	650-9581	RESISTER	3	56	H-74417	CB 1/4"- 20 X 5" SS	4
				57	H-74418	CB 1/4"- 20 X 5/8" S/S	5

ROUND DISK BRUSHES:

NOTICE

The ## in Disk Column Denotes Desk Pad Size: 13", 15" or 17"

BRUSHES	DISK	LEVEL
Super Grit	##-382SS	Very High
Tough Grit	##-382S	High
Midi Grit	##-382C	Medium
Light Grit	##-382PS	Moderate
Poly	##-382P	Light
Nylon	##-382N	Light
Tampico	##-382T	Light
Pad Driver	##-382D	
Diamond Driver	##-382DD	

ROUND DISK PADS:

NOTICE

The ## in Disk Column Denotes Desk Pad Size: 13", 15" or 17"

DISK PADS	DISK	LEVEL	COLOR
Super Black	##-422BB	Very High	Black
Black	##-422B	High	Black
Brown	##-422BR	High	Brown
Green	##-422G	Medium	Green
Blue	##-422BL	Moderate	Blue
Red	##-422R	Moderate	Red
White	##-422W	Light	White

CYLINDRICAL BRUSHES:

BRUSHES	MODEL 25" CYLINDRICAL	MODEL 29" CYLINDRICAL	MODEL 33" CYLINDRICAL	LEVEL
Tough Grit	236-697S	276-697S	316-697S	High
Midi Grit	236-697C	276-697C	316-697C	Medium
Light Grit	236-697PS	276-697PS	316-697PS	Moderate
Fine Grit	236-697F	276-697F	316-697F	Light
Nylon	236-697N	276-697N	316-697N	Light
Tampico	236-697T	276-697T	316-697T	Light

EDGE PADS AND SCREENS:

DESCRIPTION	28"×14" SCRUBDECK	32"×14" SCRUBDECK
White Pad	EDGE-4054	EDGE-5005
Red Pad	EDGE-4053	EDGE-5004
Blue Pad	EDGE-4052	EDGE-5009
Green Pad	EDGE-4051	EDGE-5002
Black Pad	EDGE-4050	EDGE-5001
White Driver Pad	EDGE-4058	NA
400 Grit Diamond Polishing Pad	EDGE-4013	EDGE-4013
800 Grit Diamond Polishing Pad	EDGE-4014	EDGE-5041
1500 Grit Diamond Polishing Pad	EDGE-4015	EDGE-5042
3000 Grit Diamond Polishing Pad	EDGE-4016	EDGE-5043
6000 Grit Diamond Polishing Pad	EDGE-4070	EDGE-5040
Tile/Grout Renovator Pad	EDGE-4048	EDGE-5018
Dominator HD Strip Pad	EDGE-4055	EDGE-5006
Maroon ECO Prep Pad	EDGE-4056	EDGE-5007

Common Wear Parts

SQUEEGEE BLADE KITS & COMPLETE SQUEEGEE ASSEMBLIES:

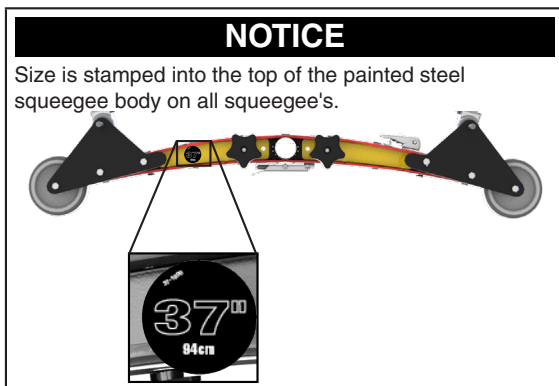
SQUEEGEE SIZE	26" DISK	28" DISK	30" DISK	34" DISK	25" CYL	29" CYL	33" CYL	24" EDGE	28" EDGE	32" EDGE
31" Squeegee	Optional	Optional	Optional	Optional	Optional	Optional	Optional	Optional	Optional	Optional
33" Squeegee	Standard	Optional	Optional	Optional	Standard	Optional	Optional	Standard	Optional	Optional
37" Squeegee	Optional	Standard	Standard	Optional	Optional	Standard	Optional	Optional	Standard	Optional
41" Squeegee	Optional	Optional	Optional	Standard	Optional	Optional	Standard	Optional	Optional	Standard
45" Squeegee	Optional	Optional	Optional	Optional	Optional	Optional	Optional	Optional	Optional	Optional

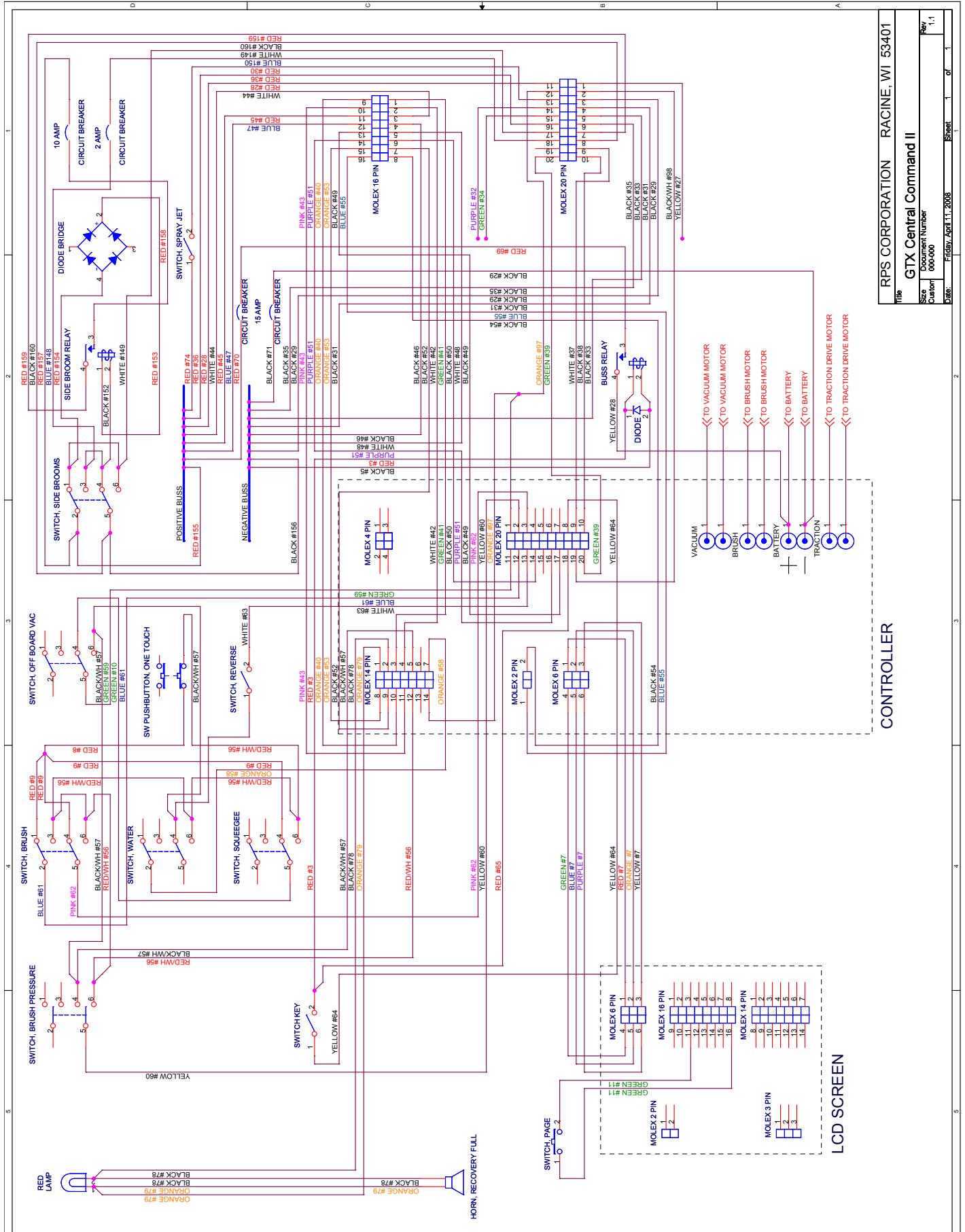
SQUEEGEE SIZE	LINATEX BLADE KIT	GUM RUBBER BLADE KIT	URETHANE BLADE KIT	COMPLETE SQUEEGEE ASSEMBLIES
31" Squeegee	231-770L	231-770G	231-770U	31-2180
33" Squeegee	233-770L	233-770G	233-770U	33-2180
37" Squeegee	237-770L	237-770G	237-770U	37-2180
41" Squeegee	241-770L	241-770G	241-770U	41-2180
45" Squeegee	245-770L	245-770G	245-770U	45-2180

SQUEEGEE MATERIAL:	USED FOR:
LINATEX	Provides best wear and tear resistance. Not designed for use with harsh chemicals.
URETHANE	Provides best resistance when dealing with harsh chemicals, oils, fuels, etc.
GUM	Provides best drying performance on rough/grouted floor types by sealing over irregularities. Short life.

NOTICE
Squeegee blade kits include (1) Rear Blade & (1) Front Blade.

NOTICE
Squeegee Assemblies (complete) listed above all come with Linatex blades.

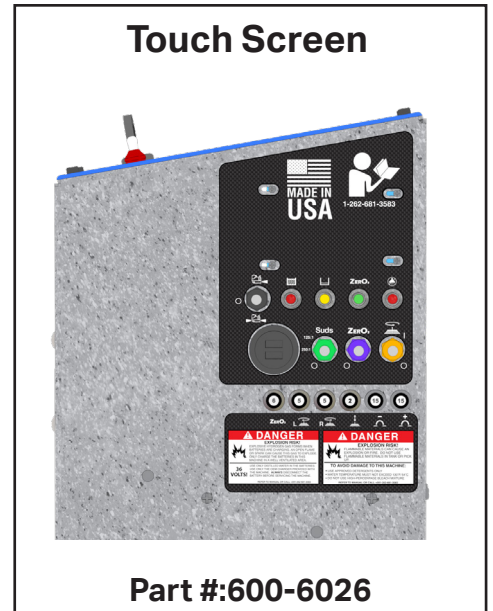
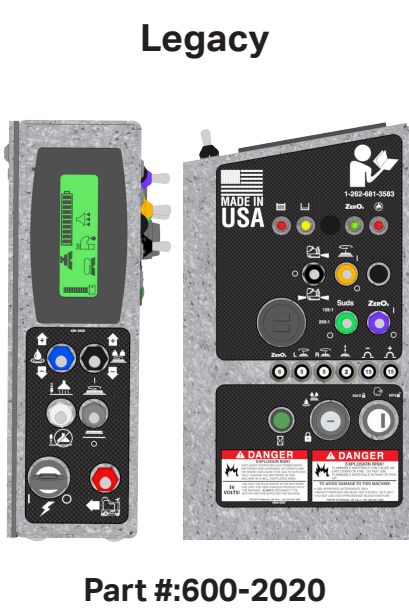




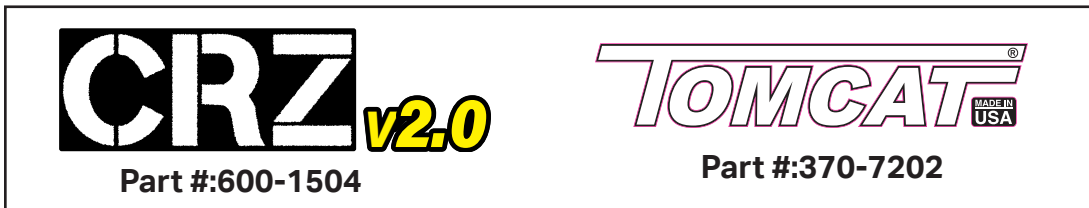
RPS CORPORATION RACINE, WI 53401	
Title	GTX Central Command II
Size	Document Number
Customer	000-000
Date	Friday, April 11, 2008
Sheet	1 of 1
Rev	1,1

Decals

Central Command Decals



Models / Options / Squeegee Size Decals



Part #:175-1518



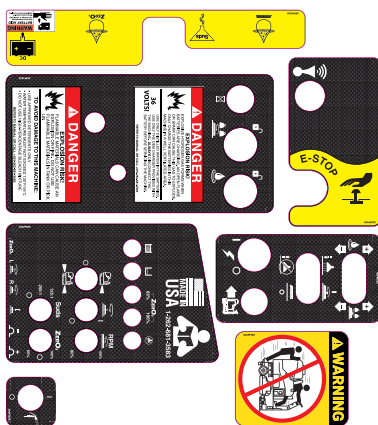
Part #:123-1837



Part #:123-1838



Part #:123-1843



Part #:600-2020



Part #:33-1600



Part #:33-1600



Part #:37-1600



Part #:41-1600



Part #:45-1600

BLANK
THIS PAGE WAS INTENTIONALLY LEFT BLANK

BLANK

THIS PAGE WAS INTENTIONALLY LEFT BLANK

TOMCAT[®]

1711 South Street
Racine, WI 53404
www.tomcatequip.com
Tel. US: 800-450-9824
Tel. Int: (001) 262-681-6470