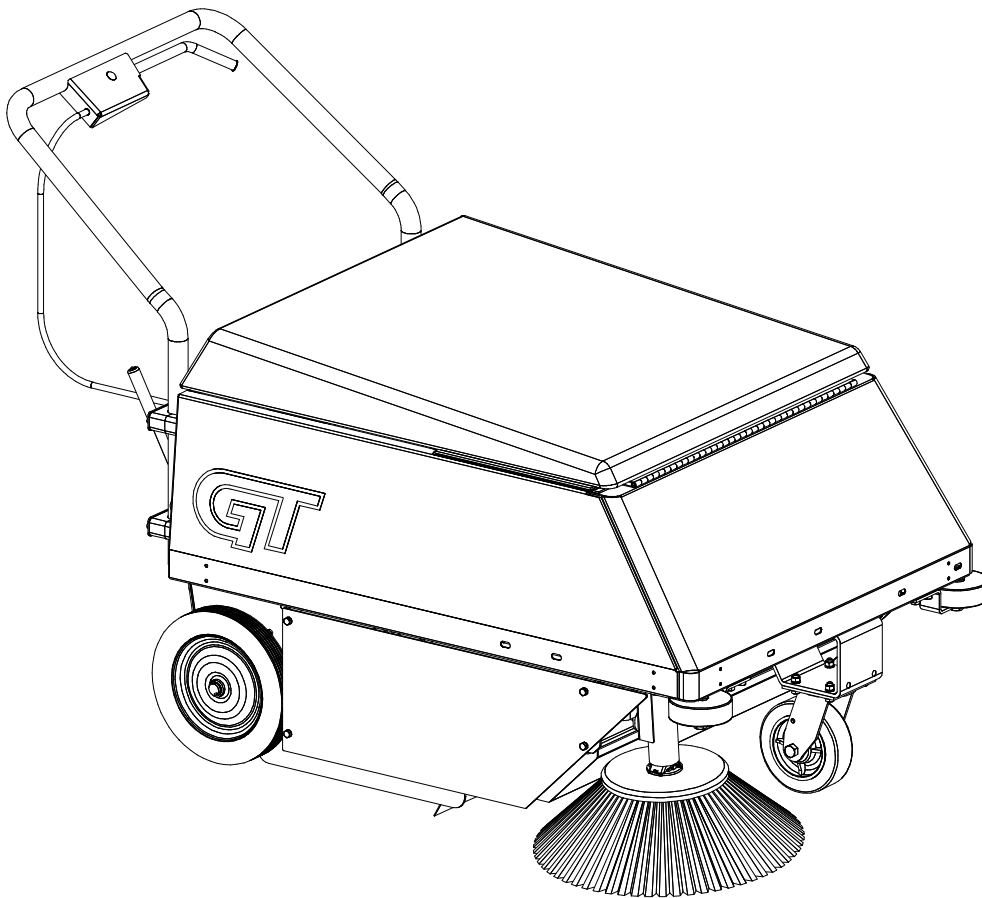




TOMCAT

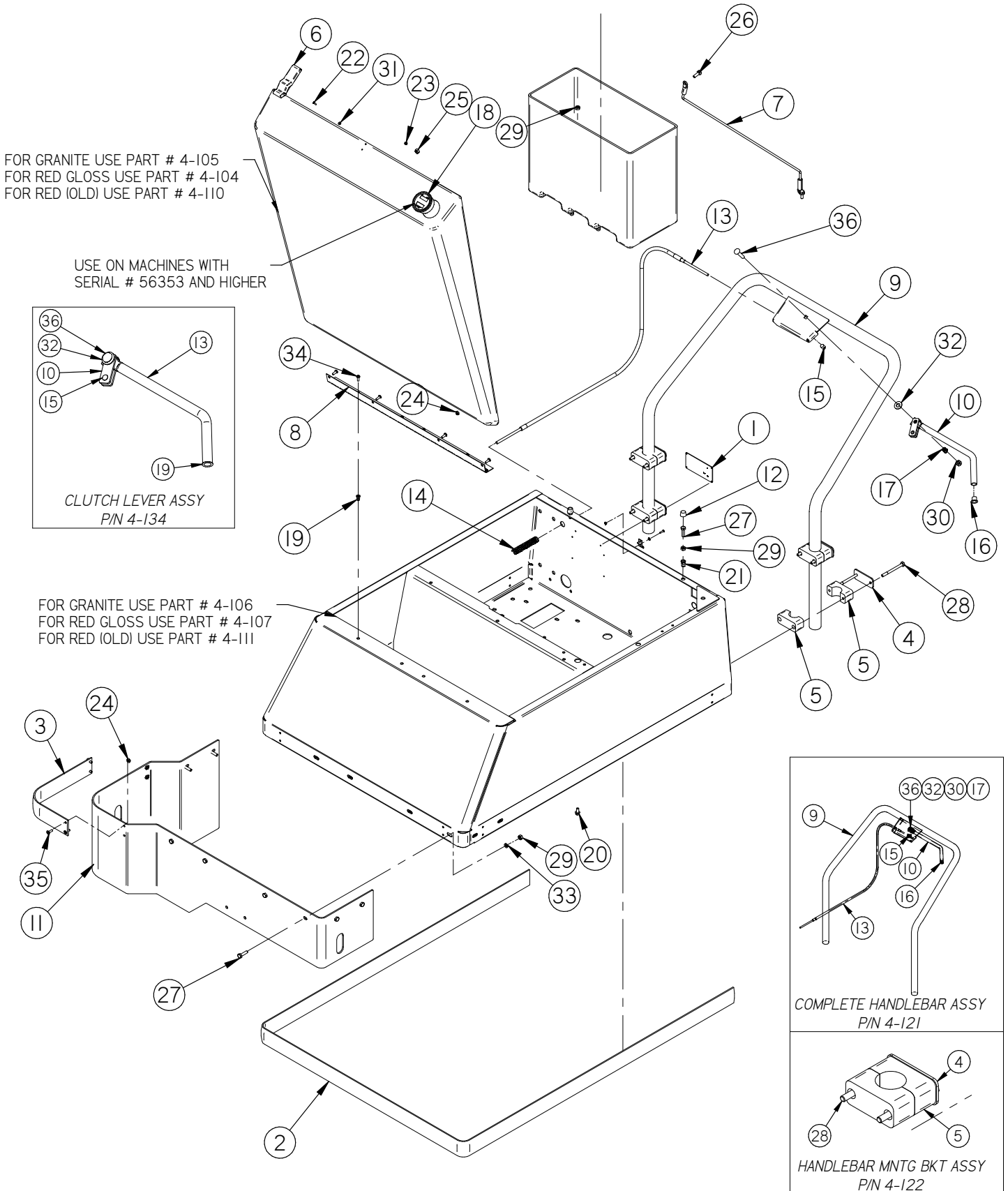
GT

Parts Manual (EN)




Read the Operators Manual before using the machine.

Read the Safety Messages before servicing machine.

Upper Body Assembly	4
Air System	6
Lower Body Assembly	8
Side Broom Assembly	10
Main Broom Assembly SN Greater Than 57285	12
Main Broom Assembly SN Less Than 57285	14
Drive System	16
Power Supply.....	18
Common Wear Parts	20
Suggested Parts Inventory	21

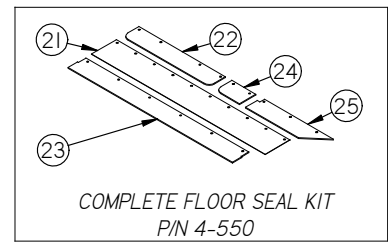
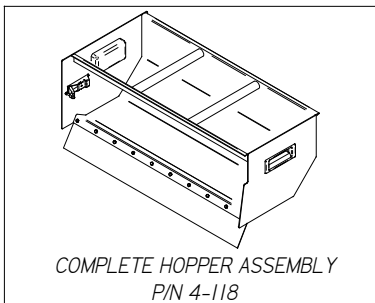
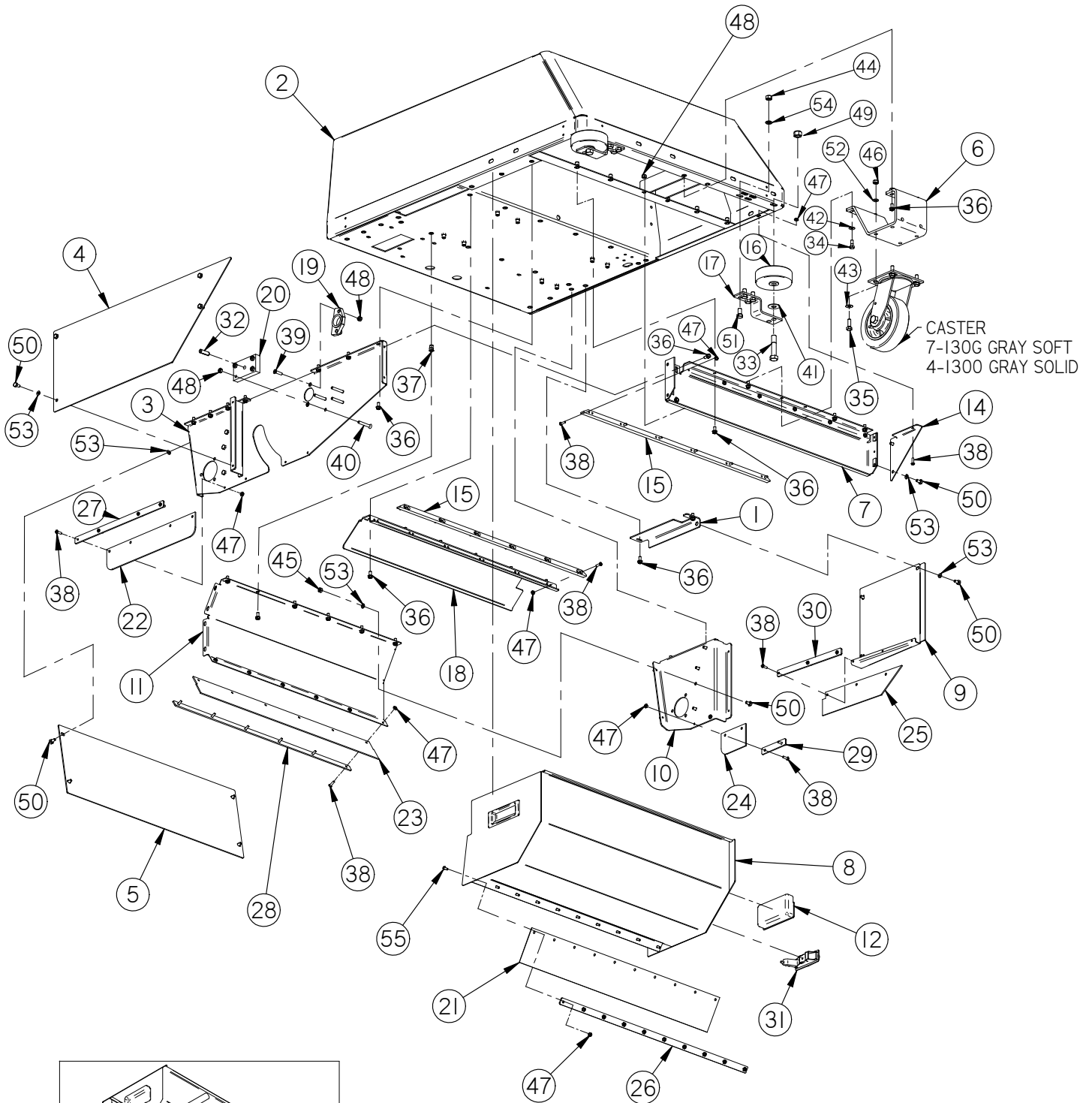


Upper Body Assembly

Item	Part No.	Description	Comments	Qty
1	4-102	SERIAL NUMBER PLATE		1
2	4-112	2" BLK STRIP BUMPER	12FT SECTION	1
3	4-112C	BUMPER STRIP		1
4	4-122A	HANDLEBAR MTG BKT	4-122 INCL. 4-122A, 4-122B,& HARDWARE	2
5	4-122B	BLACK PLASTIC CLAMP	4-122 INCL. 4-122A, 4-122B,& HARDWARE	3
6	4-124	LATCH	COMPLETE 2 PC WITH RIVETS	1
7	4-126A	HOOD CABLE		1
8	4-131	HINGE 23 3/4" SS		1
9	4-132	HANDLE BAR WELDMENT		1
10	4-134A	CLUTCH LEVER		1
11	4-140	BUMPER	INCLUDES HARDWARE (OPTIONAL)	1
12	4-170	RUBBER HOOD STOP		1
13	4-370	CLUTCH/BRAKE CABLE		1
14	4-371	CLUTCH CABLE RETURN SPRING		1
15	4-379	CLUTCH CABLE ADJ. NUT		1
16	4-387	TUBE PLUG		1
17	4-388	CLUTCH TENSION SPRING		1
18	4-4855	12V BATTERY AND HOUR METER		1
19	H-1032HCN	HCN #10-32		7
20	H-19901	FB CASHD 1/4"-20 X 1/2"		1
21	H-250HCN	HCN 1/4"-20		50
22	H-28679	PPH #4-40 X 1/2"		1
23	H-37006	NYLOK #4-40		1
24	H-37015	NYLOK #10-32		2
25	H-37018	NYLOK 1/4"-20		1
26	H-70003	HCS 1/4"-20 X 3/4" SS		1
27	H-70005	HCS 1/4"- 20 X 1" SS		2
28	H-70015	HCS 1/4"- 20 X 3.0" SS		2
29	H-70710	HN 1/4"- 20 SS		3
30	H-70861	NYLOK 5/16" - 18 SS		1
31	H-71004	FW 1/8" X 5/16" SS		1
32	H-71017	FW 3/8 ID X 7/8 OD SS		1
33	H-71063	LW 1/4" SS		1
34	H-72515	PPH #10-32 X 1/2" S/S		1
35	H-72683	FHP #10-32 X 5/8" SS		1
36	H-74432	CB 5/16"- 18 X 1-1/2" SS		1

Air System

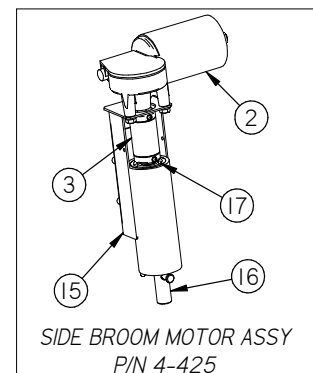
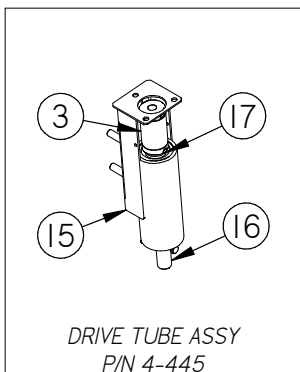
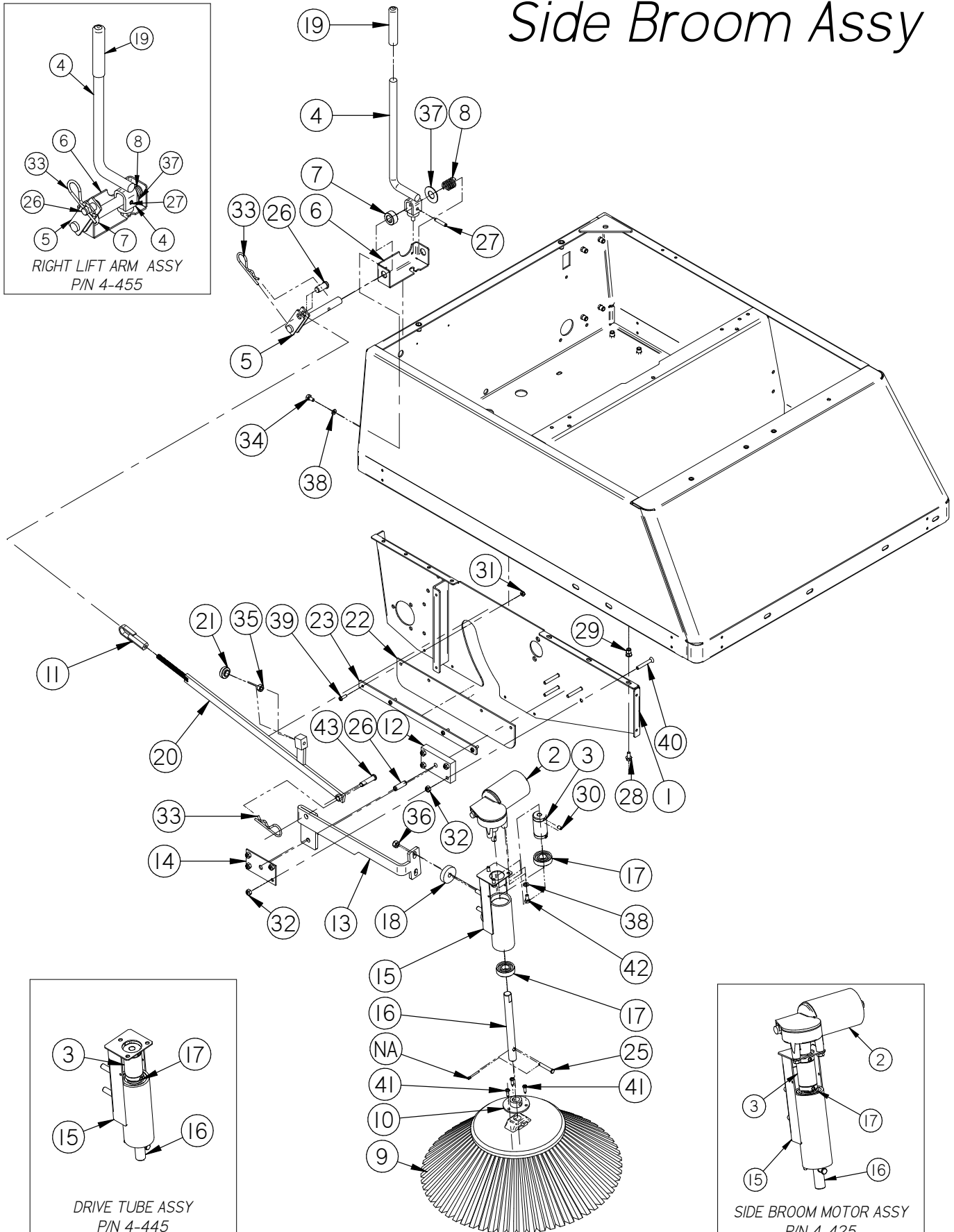
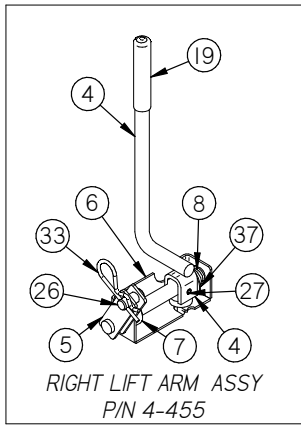
Item	Part No.	Description	Comments	Qty
1	4-125	MOTOR MOUNTING BRACKET		1
2	4-145	FILTER CHAMBER VENT LID		1
3	4-201	12V,TWIN SHAFT MOTOR		1
4	4-201B	MOTOR CRADLE		1
5	4-210	TERMINAL CLIP		1
6	4-232	CIR. BREAKER - 12V/80A		1
7	4-233	RELAY, 12-V		1
8	4-233I	RELAY, 12V		1
9	4-301	MAIN DRIVE PULLEY		1
10	4-501	FILTER HOOD		1
11	4-502	FILTER ELEMENT	P/N 4-502 INCL. P/N 4-502K, SEAL KIT	1
12	4-503A	FILTER WEIGHT ROD	P/N 4-503 INCL. SET OF 9 RODS	9
13	4-505	FILTER GRILL		1
14	4-506	FILTER BEATER BAR		1
15	4-507	BEATER BAR		1
16	4-509	BEATER BAR HANDLE		1
17	4-511	BLOWER HOUSING		1
18	4-512	BLOWER WHEEL		1
19	4-513	BLOWER DOOR		1
20	4-520A	BLOWER HOSE		1
21	4-521A	FILTER SEPARATOR	P/N 4-521 INCL. SET OF 9 SEPARATORS	9
22	4-522	DOOR LATCH	INCLUDES SET OF 2	1
23	H-002	1/2" DBL SIDED TAPE	P/N 4-502K INCL. P/N H-002 & H-048	1
24	H-00287	.375 HEYCO COLLAR		1
25	H-048	3/16" PVC FOAM	P/N 4-502K INCL. P/N H-002 & H-048	1
26	H-1032HCN	HCN #10-32		15
27	H-10436-00107	FB #8-32 X 3/4"		1
28	H-19901	FB CASHD 1/4"-20 X 1/2"		1
29	H-250HCN	HCN 1/4"-20		50
30	H-25328	SSS CP 1/4"-20 X 3/8"		1
31	H-312HCN	HCN 5/16"-18		4
32	H-31810	HW #10 X 1/2		1
33	H-37012	NYLOK #8-32		1
34	H-37015	NYLOK #10-32		1
35	H-37408	KN #10-32		1
36	H-70003	HCS 1/4"-20 X 3/4" SS		2
37	H-70053	HCS 5/16"- 18 X 3/4" SS		1
38	H-70103	HCS 3/8"-16 X 3/4" SS		1
39	H-70862	NYLOK 3/8"-16 SS		1
40	H-71009	FW #10 SS		2
41	H-71013	FW 1/4 ID X 5/8 OD SS		2
42	H-71017	FW 3/8 ID X 7/8 OD SS		1
43	H-71063	LW 1/4" SS		2
44	H-71065	LW 5/16" SS		1
45	H-72515	PPH #10-32 X 1/2" S/S		3
46	H-72536	PPH #10-32 X 1" S/S		1
47	H-K14320	3/16" X 1 1/4" KEY		2



Lower Body Assembly

Item	Part No.	Description	Comments	Qty
1	4-108	DOOR MNT ANGLE		1
2	4-111	MAIN BODY		1
3	4-113	R. INNER SIDE PANEL		1
4	4-114	SKIRT PLATE, RT		1
5	4-115	SKIRT PLATE REAR		1
6	4-116	CASTER MTG BRACKET		1
7	4-117	FRONT CROSS PANEL	4-118 INCL. 4-118B, 4-127, 5-130, SEALS & HARDWARE	1
8	4-118B	HOPPER BODY		1
9	4-119	BROOM ACCESS HATCH		1
10	4-120	REAR INNER PANEL, LT		1
11	4-123	INNER CURVED PANEL		1
12	4-127	HANDLE		2
14	4-135	L.F. PANEL GUSSET		1
15	4-141	HDPE HOPPER SLIDE		2
16	4-142	ROLLER		2
17	4-143	ROLLER BRACKET		2
18	4-384	ATTENUATOR		1
19	4-421	SUPPORT BLOCK		1
20	4-441	BROOM MOUNTING BLOCK		1
21	4-514	HOPPER FLOOR SEAL	P/N 4-550 INCLUDES: ITEMS 21,22,23,24, & 25	1
22	4-515	RIGHT FLOOR SEAL		1
23	4-516	REAR FLOOR SEAL		1
24	4-517	CORNER FLOOR SEAL		1
25	4-518	BROOM FLOOR SEAL		1
26	4-525	HOPPER SEAL STRIP		1
27	4-526	RH SEAL STRIP		1
28	4-527	REAR SEAL STRIP		1
29	4-528	CORNER SEAL STRIP		1
30	4-529	CURTAIN CLAMP		1
31	5-130	DOOR LATCH		1
32	H-10436-0105	3/8" X 1 1/4" SPRING PIN		1
33	H-77205	HCS 1/2"-13 X 1" SS		2
34	H-70003	HCS 1/4"-20 X 5/8" SS		2
35	H-70055	HCS 5/16"- 18 X 1" SS		4
36	H-19901	FB CASHD 1/4"-20 X 1/2"		29
37	H-250HCN	HCN 1/4"-20		50
38	H-72517	PPH #10-32 X 5/8" SS		28
39	H-72710	FHP 1/4"- 20 X 1" SS		2
40	H-72716	FHP 1/4"- 20 X 1-3/4"		4
41	H-71021	FW 1/2 ID X 1-1/4 OD SS		2
42	H-71013	FW 1/4 ID X 5/8 OD SS		2
43	H-71015	FW 5/16 ID X 3/4 OD SS		4
44	H-70712	HN 3/8"-16 SS		8
45	H-70710	HN 1/4"- 20 SS		8
46	H-70711	HN 5/16"- 18 SS		4
47	H-37015	NYLOK #10-32		35
48	H-37018	NYLOK 1/4"-20		8
49	H-37030	NYLOK 1/2"-13		2
50	H-70001	HCS 1/4"-20 X 1/2 SS"		21
51	H-70103	HCS 3/8"-16 X 3/4" SS		8
52	H-71065	LW 5/16" SS		4
53	H-71063	LW 1/4" SS		23
54	H-71067	LW 3/8" SS		8
55	H-71671	HXMS #10-32 X 1/2" SS		10

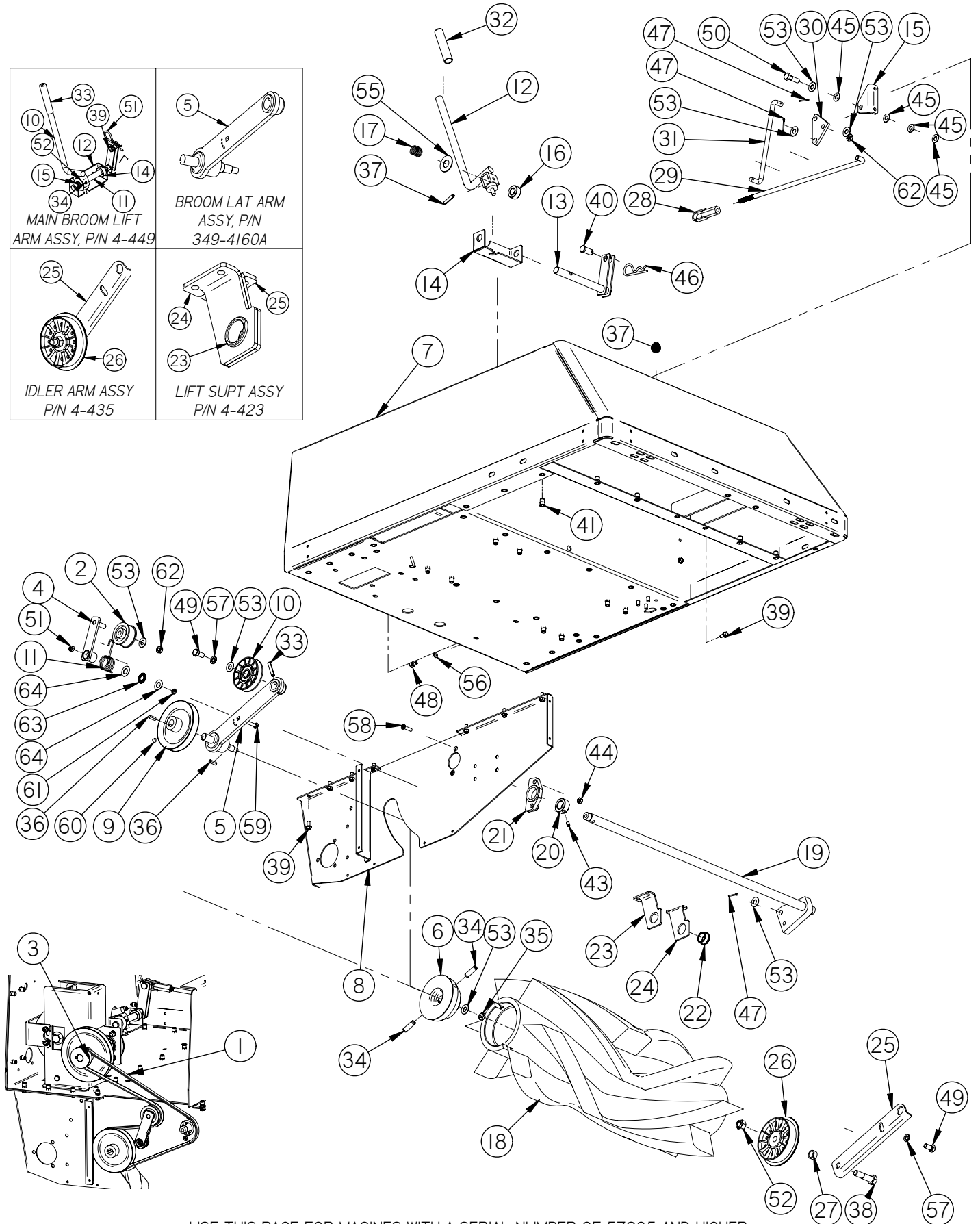
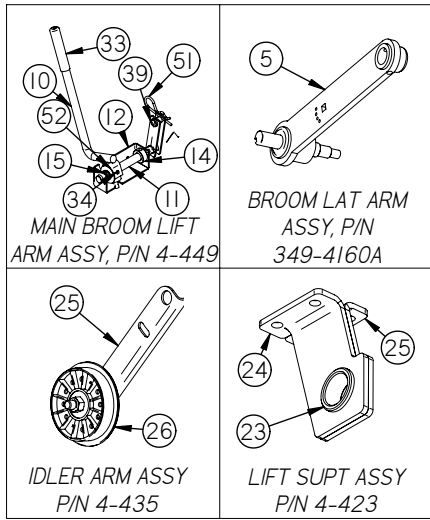
Side Broom Assy



Side Broom Assembly

Item	Part No.	Description	Comments	Qty
1	4-113	R. INNER SIDE PANEL	P/N 4-425 INCL. ITEMS 3,15,16,17,18 & HARDWARE	1
2	4-220	SIDE BROOM MOTOR		1
3	4-223	BROOM SAFETY DRIVE CPLG	P/N 4-455 INCL. ITEMS 4,5,6,7,8,19 & HARDWARE	1
4	4-376	BROOM LIFT LEVER		1
5	4-378	BROOM LIFT SHAFT		1
6	4-381	LIFT LEVER BASE, RT		1
7	4-385	LIFT LEVER COLLAR		1
8	4-386	LIFT LEVER SPRING	P/N 4-402 INCLUDES P/N 4-404	1
9	4-402	SIDE BROOM POLYPROPYLENE	P/N 4-402 INCLUDES P/N 4-404	1
10	4-404	SIDE BROOM CLUTCH PLATE		1
11	4-436	ADJ. BROOM LIFT		1
12	4-441	BROOM MOUNTING BLOCK		1
13	4-442	SIDE BROOM ARM		1
14	4-443	BROOM RETAINING PLATE	P/N 4-445 INCL. ITEMS 15,16,17,18 & HARDWARE	1
15	4-445A	BROOM MOTOR MOUNT		1
16	4-445B	BROOM SHAFT		1
17	4-445C	ROLLER BEARING		2
18	4-446	GROMMET-3/8 ID X 1-1/2 OD X .375		1
19	4-448	HANDLE GRIP		1
20	4-456	SIDE BROOM LONG LINK		1
21	4-457	ADJUSTMENT KNOB		1
22	4-515	RIGHT FLOOR SEAL		1
23	4-526	RH SEAL STRIP		1
24	H-00105	3/8" X 1 1/4" SPRING PIN		1
25	H-0156730	1/4" X 1 1/2" CLEVIS PIN		1
26	H-0156767	1/2" X 1" CLEVIS PIN		1
27	H-10436-0010	1/4" X 1 1/4" SPRING PIN		1
28	H-19901	FB CASHD 1/4"-20 X 1/2"		1
29	H-250HCN	HCN 1/4"-20		50
30	H-25328	SSS CP 1/4"-20 X 3/8"		1
31	H-37015	NYLOK #10-32		1
32	H-37018	NYLOK 1/4"-20		2
33	H-45285	HITCH PIN CLIP 9		2
34	H-70001	HCS 1/4"-20 X 1/2 SS"		1
35	H-70711	HN 5/16"- 18 SS		1
36	H-70861	NYLOK 5/16" - 18 SS		1
37	H-71025	FW 5/8 ID X 1-1/2 OD SS		1
38	H-71063	LW 1/4" SS		2
39	H-72517	PPH #10-32 X 5/8" SS		1
40	H-72716	FHP 1/4"- 20 X 1-3/4"		1
41	H-72916	PPH SMS #8 X 3/4" SS		2
42	H-M82550	HCS M6-1.0 X 14 SS		1
43	H-ZCPI54	3/8" X 1 1/2" CLEVIS PIN		1

Main Broom Assembly SN Greater Than 57285

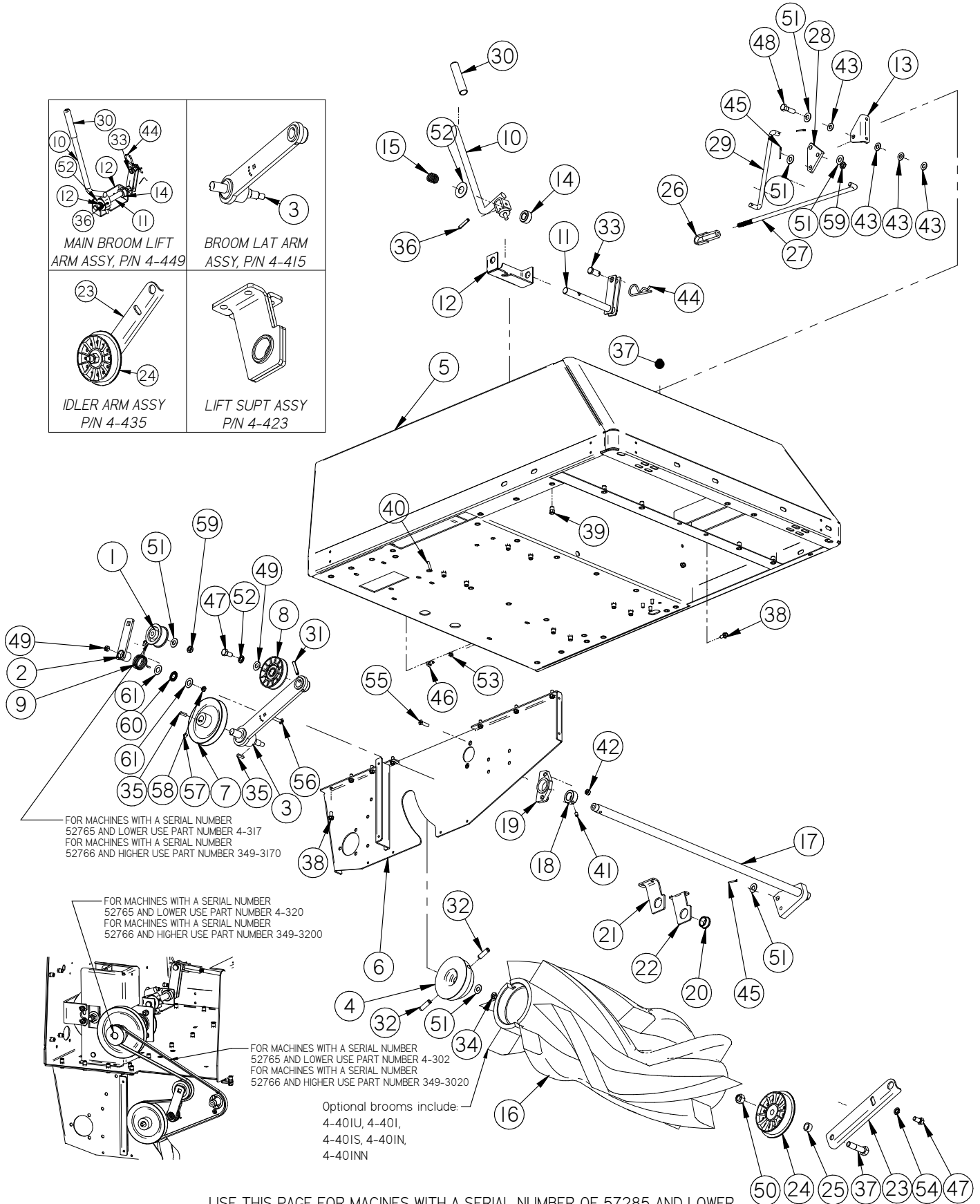
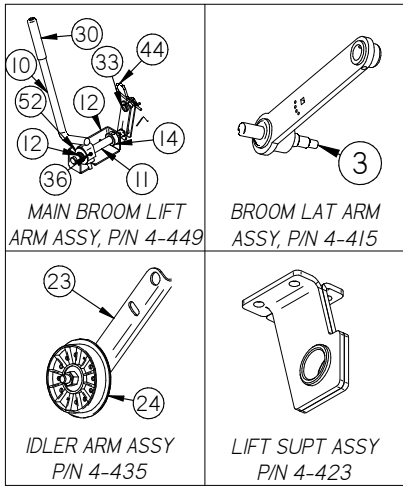


USE THIS PAGE FOR MACINES WITH A SERIAL NUMBER OF 57285 AND HIGHER

Main Broom Assembly SN Greater Than 57285

Item	Part No.	Description	Comments	Qty
1	349-3020	MAIN BROOM BELT		1
2	349-3170	IDLER PULLEY		1
3	349-3200	BROOM DRIVE PULLEY		1
4	349-3600	REVERSE IDLER ARM		1
5	349-4160A	MAIN BROOM LAT ARM W/BEARING		1
6	349-4200	BROOM DRIVER		1
7	4-111	MAIN BODY		1
8	4-113	R. INNER SIDE PANEL		1
9	4-316	BROOM DRIVE PULLEY		1
10	4-318	IDLER PULLEY		1
11	4-319	TENSION SPRING		1
12	4-376	BROOM LIFT LEVER		1
13	4-377	BROOM LIFT SHAFT		1
14	4-380	LIFT LEVER BASE, LT		1
15	4-382	ROTARY LINK BASE		1
16	4-385	LIFT LEVER COLLAR		1
17	4-386	LIFT LEVER SPRING		1
18	4-401US	26" MAIN BROOM		1
19	4-410	BROOM SUSP. ARM		1
20	4-410A	3/4" SHAFT COLLAR		1
21	4-421	SUPPORT BLOCK	INCLUDES: KEY, SET SCREWS, AND ROLL PINS	1
22	4-4230	3/4" X 1" X 1/2" FLG BEARING		1
23	4-423B-L	SUPPORT BRACKET TABS	P/N 4-423 INCL. P/N 4-423B-L, 4-423B-R & 4-4230	1
24	4-423B-R	SUPPORT BRACKET TABS	P/N 4-423 INCL. P/N 4-423B-L, 4-423B-R & 4-4230	1
25	4-430	IDLER ARM	P/N 4-423 INCL. P/N 4-423B-L, 4-423B-R & 4-4230	1
26	4-432	IDLER DRUM	P/N 4-435 INCL. 4-430, 4-432, 4-432A, & HARDWARE	1
27	4-432A	IDLER DRUM SPACER	P/N 4-435 INCL. 4-430, 4-432, 4-432A, & HARDWARE	1
28	4-436	ADJ. BROOM LIFT	P/N 4-435 INCL. 4-430, 4-432, 4-432A, & HARDWARE	1
29	4-437	BROOM LONG LINK	P/N 4-449 INCL. ITEMS: 10,11,12,14,15,33,34,39,51,52 & HDWE	1
30	4-438	BROOM ROTARY LINK		1
31	4-439	BROOM CRANK LINK		1
32	4-448	HANDLE GRIP		1
33	H-00103	1/4" X 1 1/2" SPRING PIN		1
34	H-00105	3/8" X 1 1/4" SPRING PIN		2
35	H-0171004	JNYL 3/8- 24 SS		1
36	H-0953152	3/16" X 3/4" KEY		2
37	H-10436-0010	1/4" X 1 1/4" SPRING PIN		1
38	H-13211	HCS 1/2"-13 X 2"		1
39	H-19901	FB CASHD 1/4"-20 X 1/2"		12
40	H-2250- 218	1/2" X 1" CLEVIS PIN		1
41	H-250HCN	HCN 1/4"-20		50
42	H-25283	SSS CP #10-32 X 1"		1
43	H-25328	SSS CP 1/4"-20 X 3/8"		1
44	H-37018	NYLOK 1/4"-20		3
45	H-4440024	FW 3/8" X 3/4" NYLON		4
46	H-45285	HITCH PIN CLIP 9		1
47	H-65035	3/32" X 7/8" COTTER PIN		3
48	H-70001	HCS 1/4"-20 X 1/2 SS"		2
49	H-70103	HCS 3/8"-16 X 3/4" SS		2
50	H-70107	HCS 3/8"- 16 X 1-1/4" SS		1
51	H-70860	NYLOK 1/4"- 20 SS		1
52	H-70864	NYLOK 1/2"-13 SS		1
53	H-71017	FW 3/8 ID X 7/8 OD SS		7
54	H-71021	FW 1/2 ID X 1-1/4 OD SS		1
55	H-71025	FW 5/8 ID X 1-1/2 OD SS		1
56	H-71063	LW 1/4" SS		2
57	H-71067	LW 3/8" SS		2
58	H-72710	FHP 1/4"- 20 X 1" SS		2
59	H-74421	CB 1/4"- 20 X 1-1/4" SS		1
60	H-81983	5/16" X 1/4" KURL SET SCREW		1
61	H-NJ04C	JNYL 1/4" - 20 SS		1
62	H-NJ06C	JNYL 3/8- 16 SS		2
63	M-5909K3I	NEEDLE ROLLER THRUST BEARING		1
64	M-5909K44	NEEDLE ROLLER THRUST BEARING WASHER		2

Main Broom Assembly SN Less Than 57285

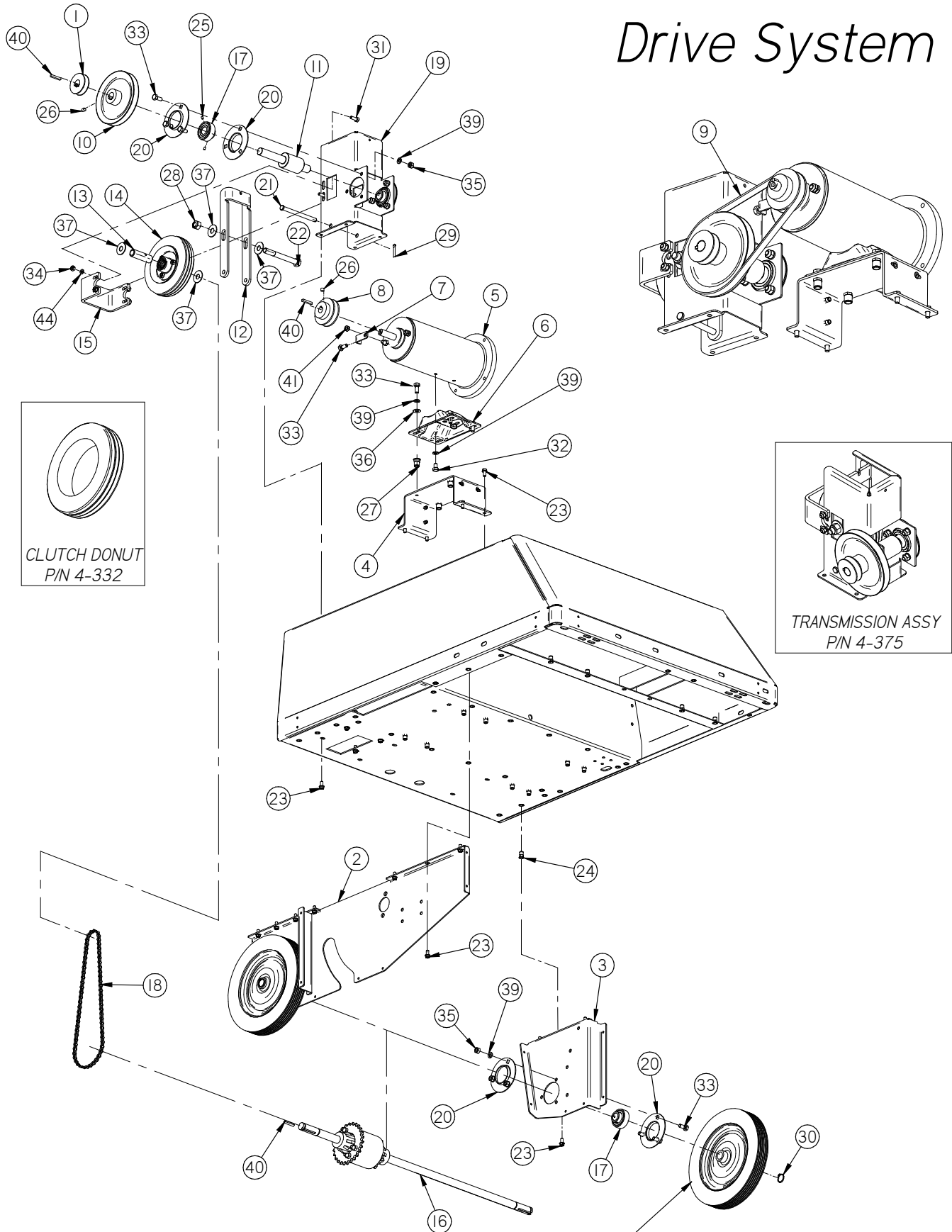


USE THIS PAGE FOR MACINES WITH A SERIAL NUMBER OF 57285 AND LOWER

Main Broom Assembly SN Less Than 57285

Item	Part No.	Description	Comments	Qty
1	349-3170	IDLER PULLEY		1
2	349-3600	REVERSE IDLER ARM		1
3	349-4160A	MAIN BROOM LAT ARM W/BEARING		1
4	349-4200	BROOM DRIVER		1
5	4-111	MAIN BODY		1
6	4-113	R. INNER SIDE PANEL		1
7	4-316	BROOM DRIVE PULLEY		1
8	4-318	IDLER PULLEY		1
9	4-319	TENSION SPRING		1
10	4-376	BROOM LIFT LEVER		1
11	4-377	BROOM LIFT SHAFT		1
12	4-380	LIFT LEVER BASE, LT		1
13	4-382	ROTARY LINK BASE		1
14	4-385	LIFT LEVER COLLAR		1
15	4-386	LIFT LEVER SPRING		1
16	4-401US	26" MAIN BROOM	INCLUDES: KEY, SET SCREWS, AND ROLL PINS	1
17	4-410	BROOM SUSP. ARM		1
18	4-410A	3/4" SHAFT COLLAR	P/N 4-423 INCL. P/N 4-423B-L, 4-423B-R & 4-4230	1
19	4-421	SUPPORT BLOCK	P/N 4-423 INCL. P/N 4-423B-L, 4-423B-R & 4-4230	1
20	4-4230	3/4" X 1" X 1/2" FLG BEARING	P/N 4-423 INCL. P/N 4-423B-L, 4-423B-R & 4-4230	1
21	4-423B-L	SUPPORT BRACKET TABS	P/N 4-435 INCL. 4-430, 4-432, 4-432A, & HARDWARE	1
22	4-423B-R	SUPPORT BRACKET TABS	P/N 4-435 INCL. 4-430, 4-432, 4-432A, & HARDWARE	1
23	4-430	IDLER ARM	P/N 4-435 INCL. 4-430, 4-432, 4-432A, & HARDWARE	1
24	4-432	IDLER DRUM		1
25	4-432A	IDLER DRUM SPACER		1
26	4-436	ADJ. BROOM LIFT		1
27	4-437	BROOM LONG LINK		1
28	4-438	BROOM ROTARY LINK		1
29	4-439	BROOM CRANK LINK		1
30	4-448	HANDLE GRIP		1
31	H-00103	1/4" X 1 1/2" SPRING PIN		1
32	H-00105	3/8" X 1 1/4" SPRING PIN		2
33	H-0156767	1/2" X 1" CLEVIS PIN		1
34	H-0171004	JNYL 3/8- 24 SS		1
35	H-0953152	3/16" X 3/4" KEY		2
36	H-10436-0010	1/4" X 1 1/4" SPRING PIN		1
37	H-13211	HCS 1/2"-13 X 2"		1
38	H-19901	FB CASHD 1/4"-20 X 1/2"		2
39	H-250HCN	HCN 1/4"-20		50
40	H-25283	SSS CP #10-32 X 1"		1
41	H-25328	SSS CP 1/4"-20 X 3/8"		1
42	H-37018	NYLOK 1/4"-20		1
43	H-4440024	FW 3/8" X 3/4" NYLON		4
44	H-45285	HITCH PIN CLIP 9		1
45	H-65035	3/32" X 7/8" COTTER PIN		2
46	H-70001	HCS 1/4"-20 X 1/2 SS"		1
47	H-70103	HCS 3/8"-16 X 3/4" SS		2
48	H-70107	HCS 3/8"- 16 X 1-1/4" SS		1
49	H-70860	NYLOK 1/4"- 20 SS		1
50	H-70864	NYLOK 1/2"-13 SS		1
51	H-71017	FW 3/8 ID X 7/8 OD SS		6
52	H-71025	FW 5/8 ID X 1-1/2 OD SS		1
53	H-71063	LW 1/4" SS		1
54	H-71067	LW 3/8" SS		1
55	H-72710	FHP 1/4"- 20 X 1" SS		1
56	H-74421	CB 1/4"- 20 X 1-1/4" SS		1
57	H-81983	5/16" X 1/4" KURL SET SCREW		1
58	H-NJ04C	JNYL 1/4" - 20 SS		1
59	H-NJ06C	JNYL 3/8- 16 SS		2
60	M-5909K31	NEEDLE ROLLER THRUST BEARING		1
61	M-5909K44	NEEDLE ROLLER THRUST BEARING WASHER		2

Drive System



CLUTCH DONUT
P/N 4-332

TRANSMISSION ASSY
P/N 4-375

For Black wheel use p/n 4-6180
For Grey Non marking use p/n 4-6185

Drive System

Item	Part No.	Description	Comments	Qty
1	349-3200	BROOM DRIVE PULLEY		1
2	4-113	R. INNER SIDE PANEL		1
3	4-120	REAR INNER PANEL, LT		1
4	4-125	MOTOR MOUNTING BRACKET		1
5	4-201	12V,TWIN SHAFT MOTOR		1
6	4-201B	MOTOR CRADLE		1
7	4-210	TERMINAL CLIP		1
8	4-301	MAIN DRIVE PULLEY		1
9	4-311	BELT, 4L260		1
10	4-312	TRANS INPUT PULLEY	P/N 4-375 INCL. COMPLETE TRANSMISSION ASSY	1
11	4-313	REAR WHEEL CAPSTAN		1
12	4-314	CLUTCH MTG BRACKET		1
13	4-321	PIVOT BOLT W/SLEEVE		1
14	4-330	CLUTCH WHEEL ASSY	CLUTCH DONUT ORDERED SEPARATE IS P/N 4-332	1
15	4-340	BRAKE SHOE		1
16	4-350	DIFFERENTIAL AXLE		1
17	4-352	BEARING		2
18	4-354	DRIVE CHAIN W/ MASTER LINK	(OPTIONAL)	1
19	4-362-01	TRANS. HOUSING		1
20	4-364A	FLANGE, 1.75" ID	P/N 4-364 INCLUDES SET OF 2	4
21	H-00135	3/8" X 4-1/2" CLEVIS PIN		1
22	H-15220	HB 1/2"-13 X 4 1/4"		1
23	H-19901	FB CASHD 1/4"-20 X 1/2"		4
24	H-250HCN	HCN 1/4"-20		50
25	H-25153	SSS CP #8-32 X 1/4 "		1
26	H-25435	SSS CP 5/16" X 1/4"		2
27	H-312HCN	HCN 5/16"-18		1
28	H-37130	NYLOK 1/2"-13		1
29	H-65076	1/8" X 1" COTTER PIN		1
30	H-68015	SNAPRING 3/4"		1
31	H-70003	HCS 1/4"-20 X 3/4" SS		1
32	H-70051	HCS 5/16"- 18 X 1/2"		1
33	H-70053	HCS 5/16"- 18 X 3/4" SS		4
34	H-70710	HN 1/4"- 20 SS		1
35	H-70711	HN 5/16"- 18 SS		2
36	H-71015	FW 5/16 ID X 3/4 OD SS		1
37	H-71021	FW 1/2 ID X 1-1/4 OD SS		4
38	H-71063	LW 1/4" SS		1
39	H-71065	LW 5/16" SS		4
40	H-K14320	3/16" X 1 1/4" KEY		3
41	H-NJ05C	JNYL 5/16"- 18 SS		1

Power Supply

Item	Part No.	Description	Comments	Qty
1	21-4520	SPEED CONTROL KNOB, RED		1
2	290-234	KEY SWITCH (WITH KEY)		1
3	290-234A	KEY SET (REPLACE)		1
4	370-8261	CHARGER COUNTER		1
5	4-0000	34/3300 BATTERY TRAY		1
6	4-111	MAIN BODY		1
7	4-125	MOTOR MOUNTING BRACKET		1
8	4-201	12V,TWIN SHAFT MOTOR		1
9	4-2013	CONTROL PANEL STICKER		1
10	4-201B	MOTOR CRADLE		1
11	4-210	TERMINAL CLIP		1
12	4-227	LOW BATTERY LIGHT		1
13	4-229	3 POS ROCKER SWITCH		1
14	4-231	SAFETY SHUT OFF SWITCH		1
15	4-232	CIR. BREAKER - 12V/80A		1
16	4-233	RELAY, 12-V		1
17	4-235	CIR. BREAKER - 12V/6A		1
18	4-240	HOUR METER		1
19	4-244	BATTERY CHARGER		1
20	4-251	SUB-LEAD, BATTERY TO GREY 50 CONN.	NOT SHOWN	1
21	4-251N	SUB-LEAD, BATTERY TO GREY 50 CONN.	NOT SHOWN	1
22	4-252	SUB-HARNESS, GREY 50 TO 80 AMP BREAKER	NOT SHOWN	1
23	4-253	SUB-HARNESS, 80 AMP BREAKER TO SOLENOID	NOT SHOWN	1
24	4-254	SUB-LEAD, SOLENOID TO MAIN MOTOR	NOT SHOWN	1
25	4-255	SUB-HARNESS, MAIN WIRING HARNESS	NOT SHOWN	1
26	4-256	GREY 50 CONNECTOR WITH CONTACTS	NOT SHOWN	2
27	4-260	CONNECTOR, GREY 50	NOT SHOWN	2
28	4-451	RHEOSTAT, 2.5 AMP		1
29	4-960	FUSE, RESETTABLE, 5 AMP, 50V DC MAX	+/- BUS BAR	1
30	H-1032HCN	HCN #10-32		11
31	H-19901	FB CASHD 1/4"-20 X 1/2"		12
32	H-250HCN	HCN 1/4"-20		50
33	H-312HCN	HCN 5/16"-18		4
34	H-37015	NYLOK #10-32		4
35	H-70051	HCS 5/16"- 18 X 1/2"		2
36	H-70053	HCS 5/16"- 18 X 3/4" SS		5
37	H-70710	HN 1/4"- 20 SS		4
38	H-71009	FW #10 SS		2
39	H-71015	FW 5/16 ID X 3/4 OD SS		4
40	H-71063	LW 1/4" SS		3
41	H-71065	LW 5/16" SS		6
42	H-72515	PPH #10-32 X 1/2" S/S		6
43	H-72517	PPH #10-32 X 5/8" SS		2
44	H-NJ06C	JNYL 3/8- 16 SS		1

CYLINDRICAL BROOMS:

BROOM TYPE	PART #'S
Poly	4-401
Nylon	4-401N
Carpet Broom	4-401NN
Poly & Steel	4-401S
Union	4-401U
Union & Steel	4-401US

SIDE BROOMS:

SIDE BROOM TYPE	PART#S
Poly	4-402
Poly & Steel	4-402S

FILTER KITS:

FILTER TYPE	PART#S
Standard Filter Assembly <small>(Includes Tape Seal Kit, Grill, and Filter)</small>	4-500
Standard Filter Kit <small>(Includes Tape Seal Kit and Filter)</small>	4-502D
1 Micron Filter	4-502
0.2 Micron Filter	4-502F
Nomex Filter	4-502N
Filter Tape Seal Kit	4-502K

SEAL KITS:

SEAL KIT	PART#S
Neoprene Seal Set	4-550

Suggested Parts Inventory**GT Suggested Parts Inventory**

Quantity	Part #	Description
1	7-130B	Front Caster
2	4-358	Rear HD Wheel
2	4-353	Rear Wheel
1	4-124	Hood Latch
1	4-150D	Sticker Set
2	4-2006	GT Sticker
1	4-227	Low Battery Light
1	4-500	Filter Replacement
1	4-550	Seal Replacement
1	4-244	Charger
1	4-302	Belt
1	4-311	Belt
1	4-229	Red Rocker Switch
1	4-402	Side Broom Polypropylene

BLANK

THIS PAGE WAS INTENTIONALLY LEFT BLANK

BLANK

THIS PAGE WAS INTENTIONALLY LEFT BLANK

TOMCAT[®]

1711 South Street
Racine, WI 53404
www.tomcatequip.com
Tel. US: 800-450-9824
Tel. Int: (001) 262-681-6470